

ABLOY® CY002

Door lock cylinder for Finnish type mortice locks



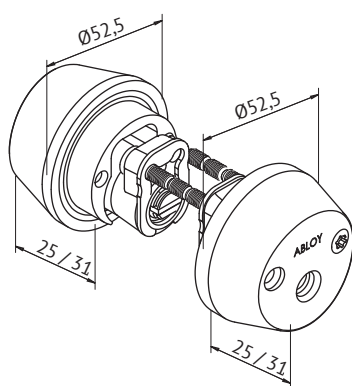
Product description

Finnish type double cylinder to be used with mortice lock cases for standard doors, both mechanical and electric lock cases.

Is operated outside and inside by a key.

Overview of Advantages

- Can be use with wide range of Finnish type mortice lock cases for standard doors
- Suitable for both outer and inner door use
- Adjustable during installation to match different door thicknesses
- Several plating options, also antimicrobial paints



Technical data

Available key systems	ABLOY PROTEC, ABLOY PROTEC ² , ABLOY NOVEL, ABLOY SENTO, ABLOY EASY, ABLOY CLASSIC
Available plating options	Bright chrome (Cr), Satin chrome (HCr), Bright brass (MSKiLa), Satin brass (MSHaLa), Brushed nickel (NiHa), Antimicrobial painted ACTIVE Val (white)/ Mus (black)/Har (gray)/Gra (graphite)
Cylinder ring diameter	52mm
Cylinder ring height	Standard 25mm, for thin doors 31mm
Suitable for fire doors	Yes
	Key related security 6, attack resistance C (excluding Classic)
Weight	0.7kg
Possible door thicknesses:	42..152mm