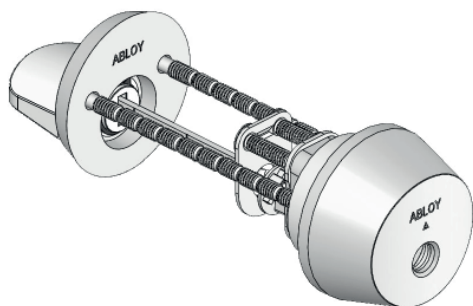




## ABLOY® CYLO01

### Door lock cylinder for Finnish type mortice locks



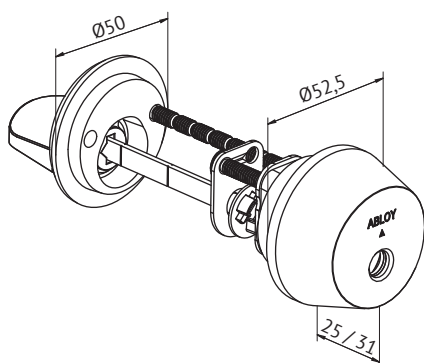
#### Product description

Cylinder with thumbturn to be used with mortice lock cases for standard doors, both mechanical and electric lock cases.

Lock is operated by key from outside and by thumbturn inside the door.

#### Overview of Advantages

- Can be use with wide range of Finnish type mortice lock cases for standard doors
- Suitable for both outer and inner door use
- Adjustable during installation to match different door thicknesses
- Several plating options, also antimicrobial paints



#### Technical data

Available key systems	ABLOY PROTEC CLIQ, ABLOY PROTEC <sup>2</sup> CLIQ
Available plating options	Bright chrome (Cr), Satin chrome (HCr), Bright brass (MSKLa), Satin brass (MSHaLa), Brushed nickel (NiHa), Antimicrobial painted ACTIVE Val (white)/ Mus (black)/ Har (gray)/ Gra (graphite)
Cylinder ring diameter	52mm
Cylinder ring height	Standard 25mm, for thin doors 31mm
Blind plate diameter	50mm
Suitable for fire doors	Yes
	Key related security 6, attack resistance C (excluding Classic)
Weight	0,54 kg
Possible door thicknesses:	42...152mm

#### Cylinder memory

- 1800 authorized key groups and programming keys together, theoretical maximum 65535 keys in each group
- A list of 3000 denied keys
- Audit trail of last 2000 events
- Audit trail of last 20 events from keys in other systems

This content is protected by Intellectual Property Rights Laws. The title to the content shall not pass to you, and instead shall remain with Abloy Oy or a third party holding the title. Abloy develops continuously the products and solutions offered. Therefore, the information contained in the document is subject to change without notice. ABLOY PROVIDES THIS CONTENT ON AN "AS IS" BASIS WITHOUT ANY WARRANTIES OF ANY KIND, EXPRESS, IMPLIED, OR STATUTORY."

# ABLOY