



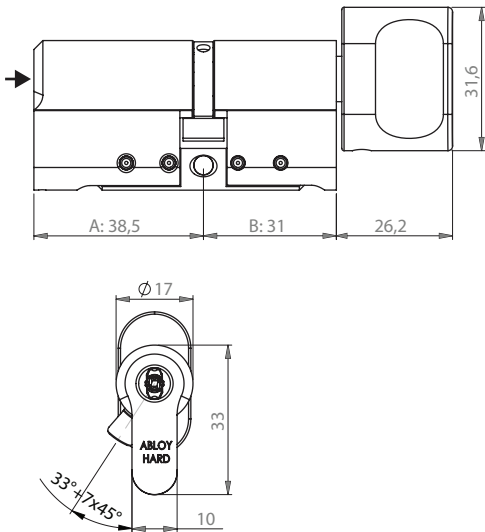
### Product description

Electromechanical CLIQ Cylinder with thumbturn to be used with mortice lock cases with DIN / Europrofile cylinder dimensions.

Lock is operated with an electronic CLIQ key from outside and by thumbturn inside.

### Overview of Advantages

- Can be use with wide range applications for DIN cylinders
- Strong burglary protection
- Suitable for both outer and inner door use
- Adjustable length with extension system to match different door thicknesses
- Adjustable locked position of cam
- Several plating options



### Technical data

Available key systems	ABLOY PROTEC2 CLIQ
Available plating options	Bright chrome (Cr), Satin chrome (HCr), Brushed nickel (NiHa), Bright brass (MSKiLa), Satin brass (MSHaLa)
Cylinder cross section according standard DIN 18252	
Cylinder length	38mm
Length adjustable	with 5mm steps 32–82mm, and with 10mm steps 82–132mm
Suitable for fire doors	Yes
EN 1303:2015 classification	Key related security 6, attack resistance D
Weight	0.29kg

### Cylinder memory

- 1800 authorized key groups and programming keys together, theoretical maximum 65535 keys in each group
- A list of 3000 denied keys
- Audit trail of last 2000 events
- Audit trail of last 20 events from keys in other systems

We reserve the right to make alterations to the products described in this leaflet.