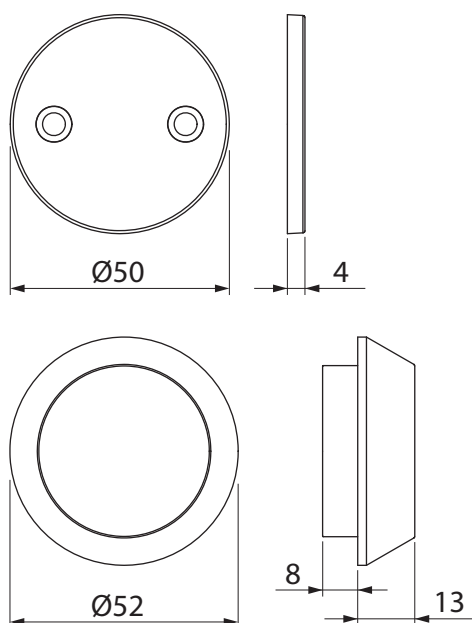


ABLOY® LH031 Cover plate pair

Product description

Suitable only Scandinavian lock cases.



Technical data

Material	Brass
Available plating options	Chrome (Cr) Satin chrome (HCr) Polished brass (KILa) Antimicrobial-coating ACTIVE Val/Mus/Har/Gra
Weight	0,30kg

This content is protected by Intellectual Property Rights Laws. The title to the content shall not pass to you, and instead shall remain with Abloy Oy or a third party holding the title. Abloy develops continuously the products and solutions offered. Therefore, the information contained in the document is subject to change without notice. ABLOY PROVIDES THIS CONTENT ON AN "AS IS" BASIS WITHOUT ANY WARRANTIES OF ANY KIND, EXPRESS, IMPLIED, OR STATUTORY."

ABLOY