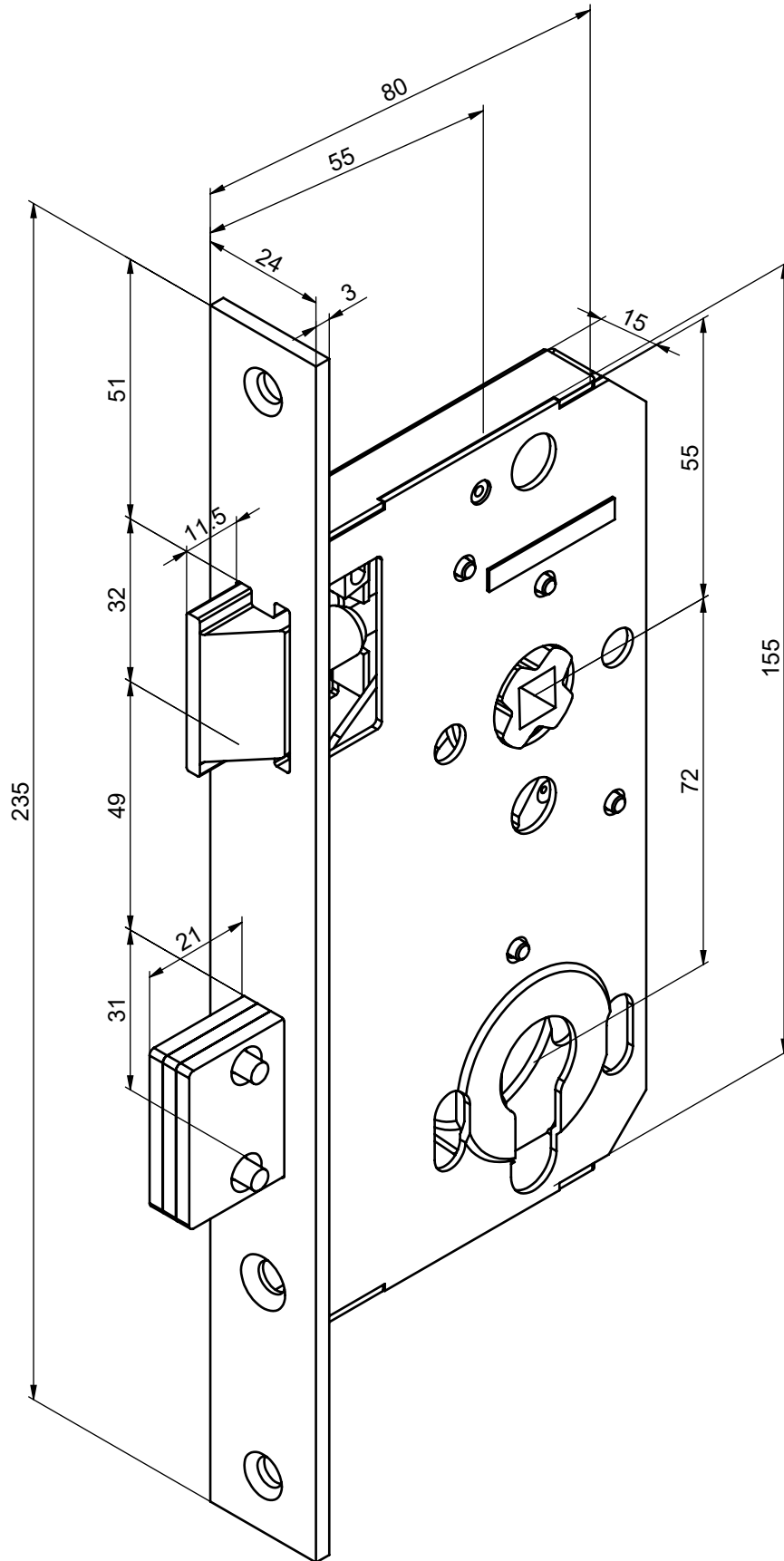


# 4202



Copyright © Abloy Oy Joensuu Factory 2014

Drawn by: erijou	Country	Drawing Number D000705964-900	rev. 1	ALT ID:	Date 23.11.2022
---------------------	---------	----------------------------------	-----------	---------	--------------------

An ASSA ABLOY Group brand **ASSA ABLOY**

**Approved 2022-11-23**