

ABLOY® OFL241T Electromechanical CLIQ™-Cabinet lock

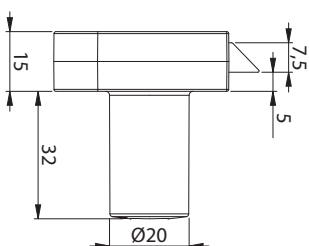
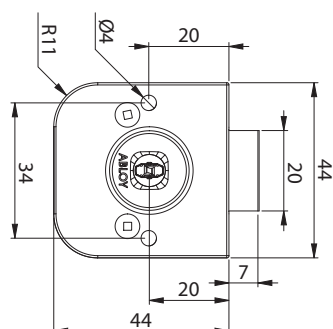


Product description

Double-secured locking and access control. PROTEC² CLIQ cabinet lock for office furnitures.

Overview of Advantages

- Lock can be closed without a key
- Used in furniture swing doors and drawers
- Brass spring latch



Technical data

Available key systems	ABLOY PROTEC ² CLIQ
Body material	Zinc
Available plating options	Bright chrome (Cr)
Bolt type	Spring
Bolt material	Nickel plated brass
Key removal	Locked position
Locking	Without key
Weight	0,19 kg
Maximun door thicknesses	25 mm

Cylinder memory

- 1800 authorized key groups and programming keys together, theoretical maximum 65535 keys in each group
- A list of 3000 denied keys
- Audit trail of last 2000 events
- Audit trail of last 20 events from keys in other systems

This content is protected by Intellectual Property Rights Laws. The title to the content shall not pass to you, and instead shall remain with Abloy Oy or a third party holding the title. Abloy develops continuously the products and solutions offered. Therefore, the information contained in the document is subject to change without notice. ABLOY PROVIDES THIS CONTENT ON AN "AS IS" BASIS WITHOUT ANY WARRANTIES OF ANY KIND, EXPRESS, IMPLIED, OR STATUTORY."

ABLOY