



MECHANICAL LOCK CASES,
HINGES AND
DOOR HARDWARE

General information	3-4	Exit locks for wooden/steel doors		Installation accessories	
Locks for interior doors		ABLOY® LE180.....	20	Transfer device ABLOY® 518	31
ABLOY® 2011	5	ABLOY® LE184.....	20	Escutcheons	32
ABLOY® 2014	5	ABLOY® LE185.....	21	Cover plates	32
ABLOY® 2016	5	ABLOY® LE181.....	21	Cover front plates	33
ABLOY® 2018	6	ABLOY® LE183.....	22	Keys.....	33
ABLOY® 2020	6	ABLOY® LE186.....	22	Striker plates.....	34-36
ABLOY® 2040	7	Double cylinder lock cases for		Hinges	
ABLOY® 4238.....	7	wooden/steel doors		Drill-in hinges for windows	37
ABLOY® 4249.....	7	ABLOY® LC120.....	23	Hinges for interior doors.....	37
ABLOY® 4260.....	8	ABLOY® LC121.....	23	Hinges for exterior doors.....	38-39
ABLOY® LC290.....	8	ABLOY® LC122.....	24	Hinges for glass doors	40
ABLOY® LC291.....	8	Security and additional locks for		Concealed hinges.....	40
ABLOY® 4290.....	9	wooden /steel doors		Hardware	
ABLOY® 4291.....	9	ABLOY® 428.....	24	Letter plates.....	41
ABLOY® 4570.....	9	ABLOY® 4181	25	Quick bolt	42
ABLOY® 9456	10	ABLOY® LC211	25	Flush bolt.....	43
ABLOY® 4202	10	ABLOY® 4232.....	25	Mortises	
ABLOY® 4203.....	10	Security locks for narrow profile doors		Locks for interior doors.....	44-46
ABLOY® 4207	11	ABLOY® LC307	26	Lock cases for wooden/ steel doors.....	47-48
ABLOY® 4208.....	11	Lock cases for narrow profile doors		OneFit mortise.....	49
ABLOY® 4292.....	11	ABLOY® LC300.....	26	Double cylinder lock cases for wooden/steel doors	50
Lock cases for wooden/steel doors		ABLOY® LC301.....	27	Security and additional locks for wooden/steel doors	50
ABLOY® LC102.....	12	ABLOY® LC301F	27	Security locks for narrow profile doors	51
ABLOY® LC190.....	12	ABLOY® LC302.....	27	Lock cases for narrow profile doors ..	52
ABLOY® LC193.....	13	ABLOY® LC303.....	28	Double cylinder lock cases for narrow profile doors	52
ABLOY® LC194.....	13	ABLOY® LC305.....	28	Striker plates.....	53-54
ABLOY® LC195.....	14	Double cylinder lock cases for			
ABLOY® LC197.....	14	narrow profile doors			
ABLOY® LC960.....	15	ABLOY® LC130	28		
ABLOY® LC100.....	15	ABLOY® LC131	29		
ABLOY® 4190.....	16	ABLOY® LC132	29		
ABLOY® LC204.....	16	Exit locks for narrow profile doors			
ABLOY® 4194.....	17	ABLOY® LE310	30		
ABLOY® 4195.....	17	ABLOY® LE314	30		
ABLOY® 4197	18	ABLOY® LE315	31		
ABLOY® 4960.....	18				
ABLOY® LC200.....	19				
ABLOY® LC210.....	19				

Product information

Locks with automatic deadlocking

Many ABLOY® lock cases are equipped with an automatic deadlocking action, which facilitates the use of the lock.

The automatic deadlocking action is controlled by a snib in the forend.

In the deadlocking mode it is not possible to retract the bolt other than by using the cylinder or thumbturn and consequently a lock case with an automatic deadlocking must always be fitted with a cylinder or a thumbturn.

Automatic deadlocking lock cases are designed to function perfectly with 2–5 mm door clearance.

T-model

The automatic deadlocking is controlled by a turning snib in the forend. The snib can be turned by a square key.

The position of the turning snib:
Turned clockwise = deadlocking.
Turned anticlockwise = day use.

ABLOY® LC100 and LC102

ABLOY® LC100 and LC102 lock case is opened by turning first the key or thumbturn and then using the handle. The snib is locked to the deadlocking mode by turning a set screw, located below the snib, about two turns anticlockwise by a hexagonal key, until the screw stops and is opened by turning the screw clockwise.

Double cylinder lock cases and transfer devices

Double cylinder lock cases and transfer devices can be used to combine two different key systems in the same door.

For example doors for electrical control rooms, boiler rooms, garbage sheds or similar service premises are suitable for application, thus making it possible to provide an access for e.g. a service company to enter the room with their own keys.

Applications

When choosing a lock case for a particular purpose, you should pay attention to the demands for: burglary protection, insurance company requirements, fire resistance, emergency exit safety, operational safety, durability, mortice and fittings standards, corrosion protection.

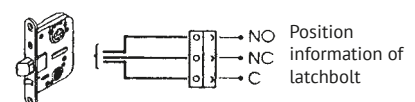
The most common applications and the lock cases used:

Interior doors	Interior doors/standard: 2014, 2020, 2040, Interior doors/renovation: 2020 Public buildings: 2018, 4203, 4290, Narrow profiles: LC300 Toilets/bathrooms/standard: 2014, 2040 Public buildings: 4207, 4291, LC200, LC291 Saunas: 4238 Lockable interior doors/standard: 2011, 2016, 2018, 4260, 4570, 9456 Public buildings: 4190, LC190, 4202, 4292, LC200 Narrow profiles: LC302, LC305 Sliding doors/standard: 4249 Public buildings: 4960, LC960
Exterior doors	Houses/standard: LC100, LC102, LC190, 4190, LC200, LC210 Public buildings: 4190, 4195, LC190, LC195, LC200, LC210 Narrow profiles: LC302, LC305
Additional locking	Wooden doors: 4181, 4232, 4208, LC211 Narrow profiles doors: LC306, LC307 Sliding narrow profiles doors:
Fire doors	Interior doors/standard: LC210, 2011, 2014 Interior doors/public building: 4290, 4291 Houses/public building: 4190, 4194, 4197, LC100, LC102, LC190, LC194, LC197 LC200, LC204, LC210 Narrow profiles: LC300, LC301F, LC303, LC305 Steel doors:
Emergency exits	Wooden doors: One leaf: LC193, LE180, LE184, LE185 Double door active leaf: LE181, LE183, LE185 Narrow profiles: One leaf: LC301, LC301F, LE310, LE314, LE315 Double door active leaf: LE310, LE314, LE315

Microswitch locks

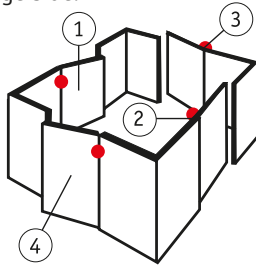
In microswitch locks the switch changes the status when the bolt has reached its fully protruded position and/or it's deadlocked. The ABLOY® microswitch lock case is equipped with a microswitch, which has a change-over contact. The switch follows mechanically the moves of the bolt or the deadlocking elements and changes its status according to the position of the actuating elements. The switching function of a particular lock type is clarified in the descriptions of the lock types.

- The microswitch version of each lock case has a product code ending with "X".
The product code for the microswitch version of e.g. 4190 is 4190X.
- Drilling, installation and mounting of door furniture is carried out in the same way as of corresponding mechanical lock cases, except that the cable of the microswitch needs to be routed to the door frame.
- Protective voltage must be used with microswitch lock cases.
Maximum current 1 A
Maximum voltage 60 VDC, 42 VAC
Maximum power 24 W
- A lock with a microswitch can be used as a sensor or switch for e.g. passage control or burglar alarm systems.
- Security locks can be used as switching and by-pass locks for burglar alarm systems.



Handing

Please specify the handing when ordering a lock case. A simple way to determine if the door (and lock) is left or right handed is to look at the door from the hinge side.



Left hand (1 & 3)

The hinges are on the left side.

Right hand (2 & 4)

The hinges are on the right side.

Dimensions & mortises

The drawings in this catalogue are available at www.abloy.com

Cylinders

The cylinder to be used with a lock case is specified for each product. We have used the following abbreviations:

CYLINDER AND FITTINGS

ABLOY® C, N, T, U Finnish range

SCAND Scandinavian range oval/round

Euro DIN Europrofile DIN range

KEY TYPES

ABLOY® CLASSIC (C), rotation direction only to clockwise
 ABLOY® PROTEC (N), ABLOY® PROTEC2 (T),
 ABLOY® NOVEL (U)

ABLOY® PROTEC (N), ABLOY® PROTEC2 (T),
 ABLOY® NOVEL (U), ASSA, TrioVing o.e.

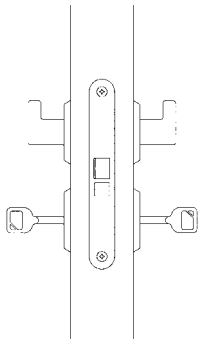
ABLOY® PROTEC (N), ABLOY® PROTEC2 (T),
 ABLOY® NOVEL (U), FAB o.e.

Please contact the importer or your local dealer for more detailed information.

General finishes

Fe/CR	Chrome plated steel
Fe/ZN	Zinc plated steel
Fe/ZL	Zinc chromated and lacquered steel
Fe/MME	Powder coated steel, brass colour
Fe/HAR	Powder coated steel, brass colour
Fe/HAR	Powder coated steel, grey colour
Fe/VAL	Powder coated steel, white colour
Fe/HCR	Satin chrome plated steel
ZNALCU/MME	Powder coated zamac, brass colour
Fe/ZnCLA	Yellow chromated and lacquered steel
Ms/CR	Chrome plated brass
Ms/HCR	Satin chrome plated brass
Ms/HA	Brushed and lacquered brass
Ms/KI	Polished brass
Ms/KILA	Polished and lacquered brass
Rst	Stainless steel

ABLOY® 2011



Lever lock for interior doors. The lock features 5 levers to give 250 different key combinations.

Lock handing can easily be changed by pulling out the latchbolt and turning it 180° clockwise.

The lock is fitted with lever handles and an escutcheon. The lock can also be equipped with DIN standard fittings.

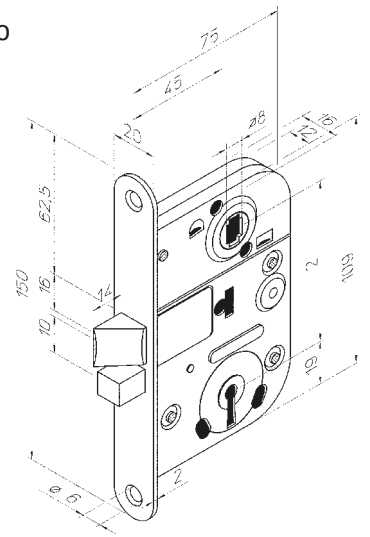
See page 41.

Striker plate 0043, 0045, 0053, 0055, 0068, 0068B

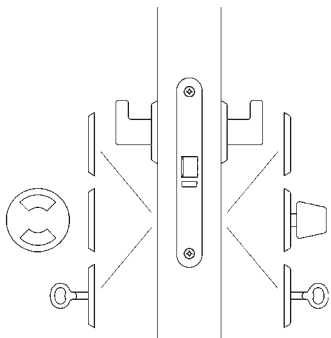
Finish Fe/ZN, Fe/MME

Fire resistance -

Mortise standard SFS 5210
SS 81 73 82
Please see page 44



ABLOY® 2014



Lock for interior doors. It can be locked with either a key or a toilet thumbturn. Lock handing can easily be changed by pulling out the latchbolt and turning it 180° clockwise.

The lock can be used with a lever handle only or with both a lever handle and a key or a toilet thumbturn.

The lock can also be equipped with DIN standard fittings.

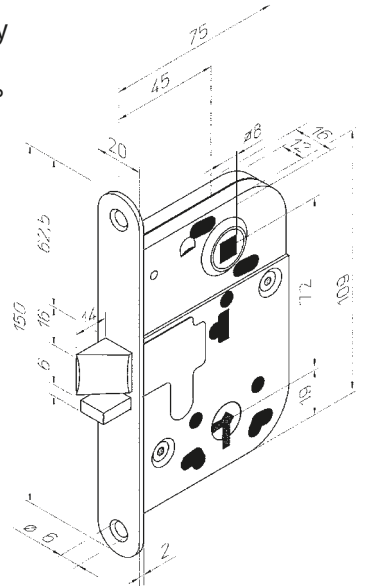
See page 41.

Striker plate 0043, 0045, 0053, 0055, 0068, 0068B

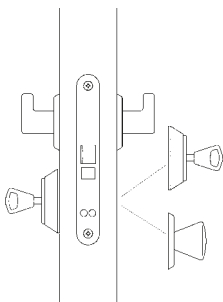
Finish Fe/ZN, Fe/MME

Fire resistance -

Mortise standard SFS 5210
SS 81 73 82
Please see page 44



ABLOY® 2016



Cylinder lock case for interior doors. It can be locked using a key or a thumbturn. In locked position, the deadbolt protrudes 14 mm.

Lock handing can easily be changed by pulling out the latchbolt and turning it 180° clockwise.

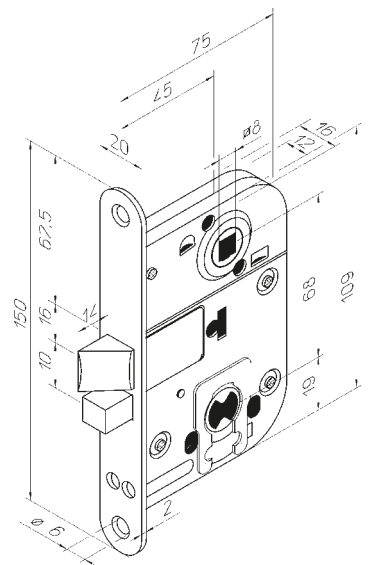
Striker plate 0043, 0045, 0053, 0055, 0068, 0068B

Finish Fe/ZL

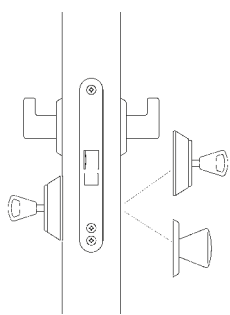
Fire resistance -

Cylinder SCAND

Mortise standard SFS 5210
SS 81 73 82
Please see page 44

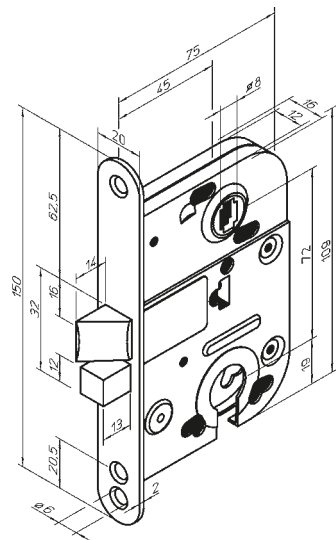


ABLOY® 2018

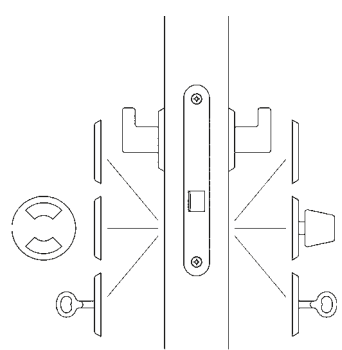


Cylinder lock for interior doors. The lock can be opened and locked by turning the key one turn. In locked position, the deadbolt protrudes 14 mm. The latch can be retracted both by handles or by key. Lock handing can easily be changed by pulling out the latchbolt and turning it 180° clockwise.

- Striker plate 0043, 0045, 0053, 0055, 0068, 0068B
- Finish Fe/MME, Fe/Zn
- Fire resistance -
- Cylinder Euro DIN
- Mortise Special mortise standard, please see page 44



ABLOY® 2020

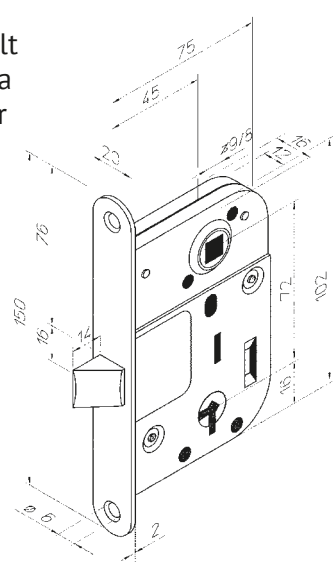


Lock for interior doors. It has one latch bolt which can be deadlocked with either a key or a toilet thumbturn. Lock handing can easily be changed by pulling out the latchbolt and turning it 180° clockwise. The lock can be used with a lever handle only or with both a lever handle and a key or a toilet thumbturn.

The lock fits into the same mortise as e.g. ASSA 404 and 404T.

2020 replaces the following old lock types: BODA 408-409-418-420-422-423-448-501-502-503 and ASSA 404 and 404T

- Striker plate 0043, 0045, 0053, 0055, 0068, 0068B
- Finish Fe/MME
- Fire resistance -
- Mortise standard SFS 5210
SS 81 73 82
Please see page 44



ABLOY® 2040

Lock for interior doors. The lock can be used with a lever handle only or with both a lever handle and a toilet thumbturn.

Lock handing can easily be changed by pulling out the latch bolt and turning it 180° clockwise.

The lock can also be equipped with DIN standard fittings.

See page 41.

Striker plate 0043, 0045, 0053, 0055, 0068, 0068B

Standard finish Fe/MME and Fe/Zn

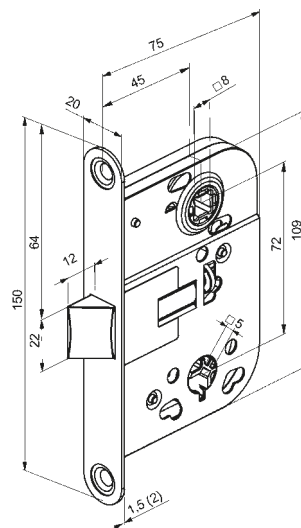
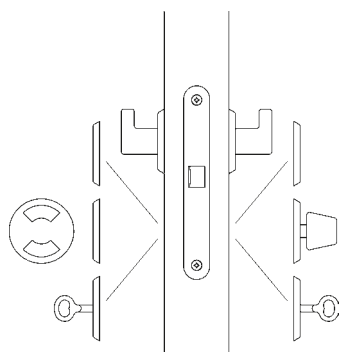
Additional finish Fe/CR, Ms/KILA, Rst

Fire resistance -

Mortise standard SFS 5210

SS 81 73 82

Please see page 44



ABLOY® 4238

Symmetric roller latch. The roller latch protrusion can be adjusted by means of a screw in the front plate. The door must have a door pull. For reasons of safety, a special striker plate is used in conjunction with the roller latch.

Striker plate 0046, 0078

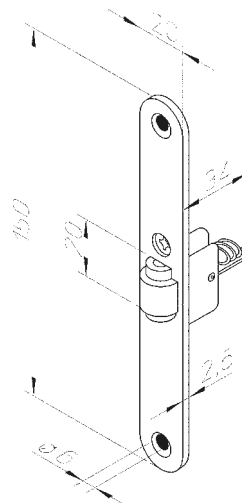
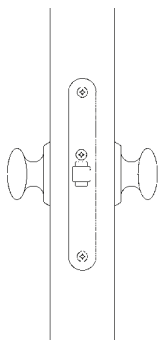
Finish Zn/MME

Fire resistance -

Mortise standard SFS 5210

SS 81 73 82

Please see page 44



ABLOY® 4249

Lock case for lightweight sliding and folding doors.

The hookbolt can be locked.

Either by using a key or toilet thumbturn.

Striker plate 4662

Finish Fe/MME

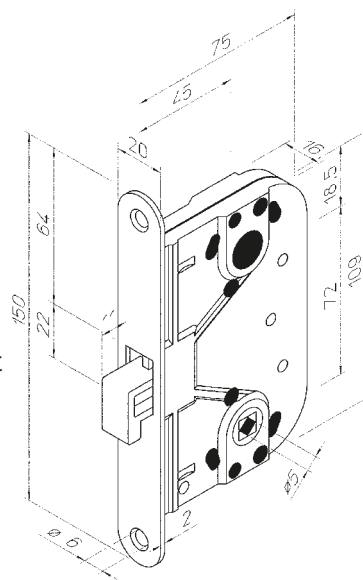
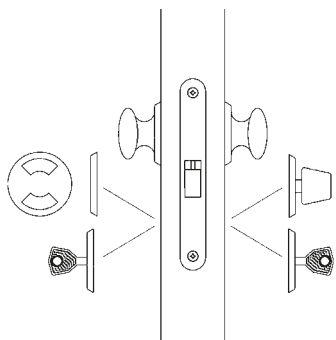
Additional finish Fe/CR, Fe/HCR, Ms/HA, Ms/KILA, Rt

Fire resistance -

Mortise standard SFS 5210

SS 81 73 82

Please see page 44



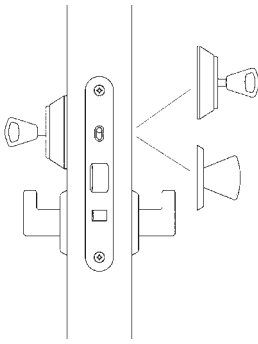
ABLOY® 4260

Cylinder mortise lock with an automatically deadlocking latchbolt for interior doors. Deadlocking is controlled by a snib in the front plate.

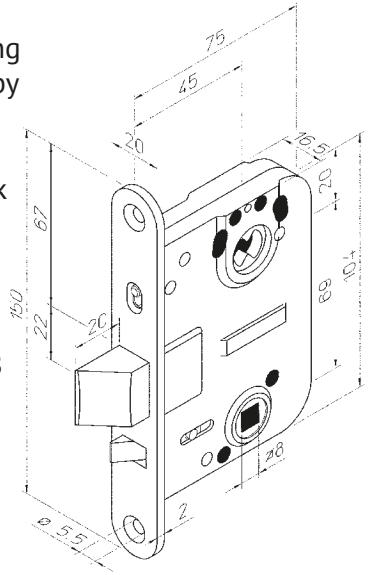
Snib position:

UP = Deadlocking, latchbolt protrudes 20 mm. The lock can be opened only with a key or a thumbturn.

DOWN = Latchbolt protrudes 14 mm. Lock can also be opened with lever handles.



Striker plate 0043, 0045, 0053, 0055, 0068, 0068B
 Finish Fe/JME, Fe/ZN
 Cylinder ABLOY® C, N, T, U
 Fire resistance –
 Mortise standard SFS 5210
 SS 81 73 82
 Please see page 44



ABLOY® LC290

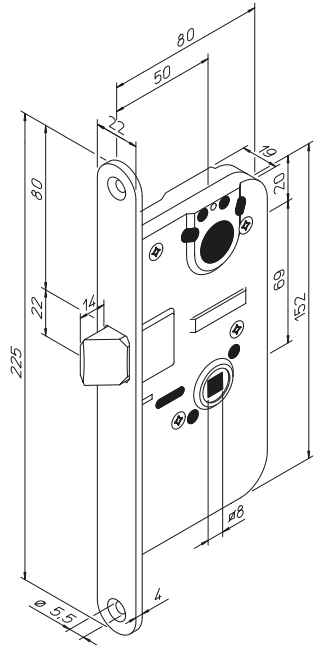
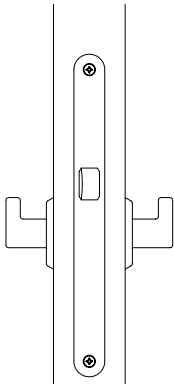
Mortise lock with a lever handle function only. Recommended for public buildings.

Striker plate: 4690, 4691, LP711, LP714, LP721, LP731

Finish: Fe/ZL

Fire resistance: Suitable for fire doors.

Mortise: OneFit mortise
 Please see page 49



ABLOY® LC291

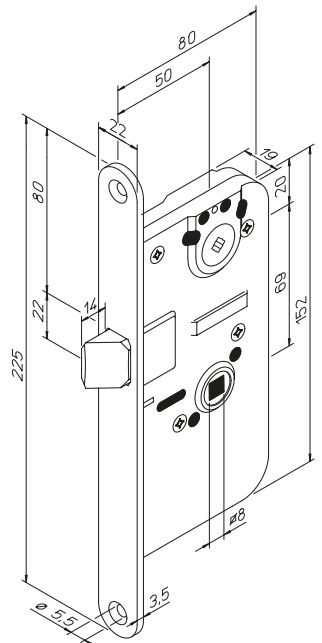
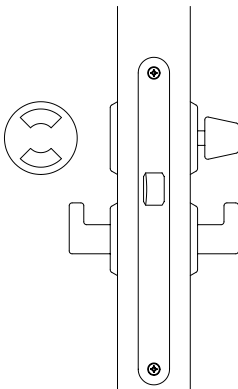
Mortise lock for toilet doors in public buildings. The lock is suitable for use with lever handles and a toilet thumbturn.

Striker plate: 4690, 4691, LP711, LP714, LP721, LP731

Finish: Fe/ZL

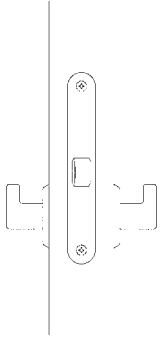
Fire resistance: Suitable for fire doors.

Mortise: Please see page 45



ABLOY® 4290

Mortise lock with a lever handle function.
Recommended for public buildings.

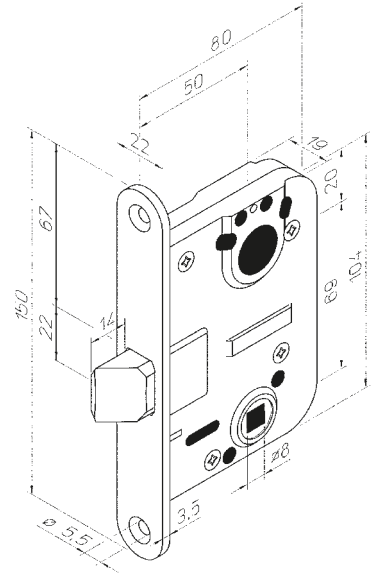


Striker plate 4690, 4691,
LP711, LP714, LP721, LP731

Finish Fe/ZL

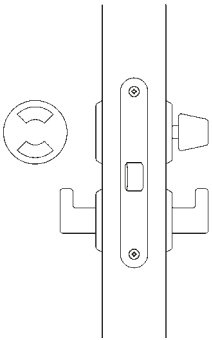
Fire resistance: Suitable for fire doors.

Mortise standard SFS 5209
Please see page 48



ABLOY® 4291

Mortise lock for toilet doors in public buildings.
The lock is suitable for use with lever handles and a toilet thumbturn.

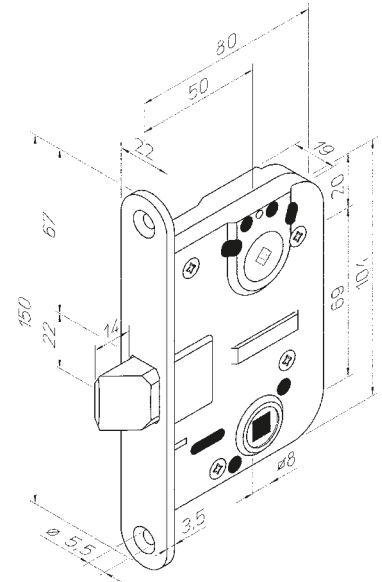


Striker plate 4690, 4691,
LP711, LP714, LP721, LP731

Finish Fe/ZL

Fire resistance: Suitable for fire doors.

Mortise standard Please see page 46



ABLOY® 4570

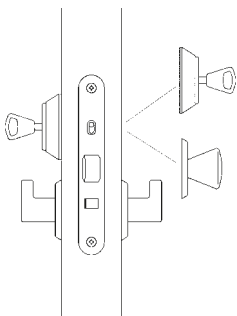
Cylinder mortise lock with an automatically deadlocking
latchbolt for interior doors. Deadlocking is controlled by
a snib in the front plate.

Snib position:

UP = Deadlocking, latchbolt protrudes 20 mm. The lock
can be opened only with a key or a thumbturn.

DOWN = Latchbolt protrudes 14 mm.

The lock can also be opened with lever handles.



Striker plate 0043, 0045, 0053, 0055, 0068, 0068B
Other striker plates
see page 37–38

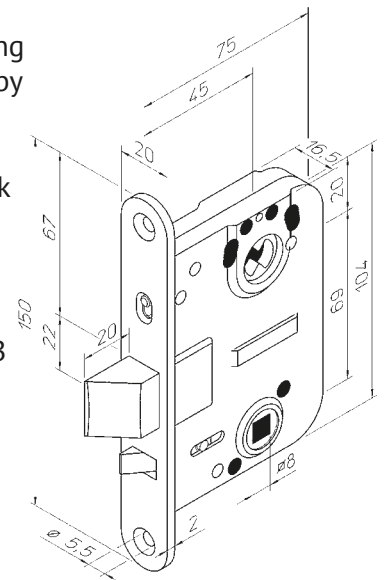
Finish Fe/ZL

Cylinder ABLOY® N, T, U, SCAND

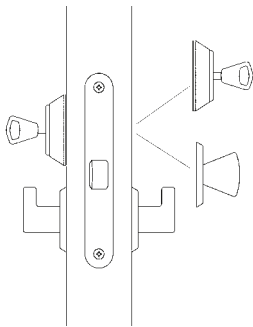
Fire resistance –

Mortise standard SFS 5210
SS 81 73 82

Please see page 44



ABLOY® 9456



Cylinder lock case for interior doors. A turn of the key or thumbturn clockwise throws the latchbolt 20 mm and deadlocks. The lock is opened by turning the key or thumbturn anticlockwise thereby allowing the latchbolt to protrude 14 mm for day mode. The door can then be opened using the lever handles.

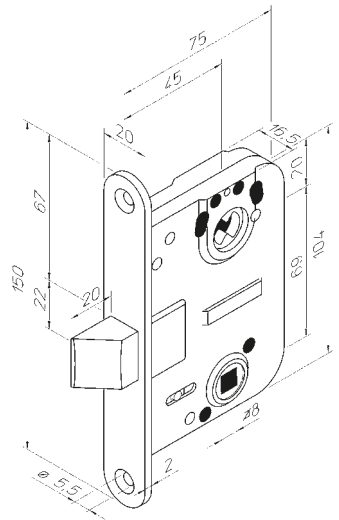
Striker plate 0043, 0045, 0053, 0055, 0068, 0068B
Other striker plates see page 37–38

Finish Fe/ZL

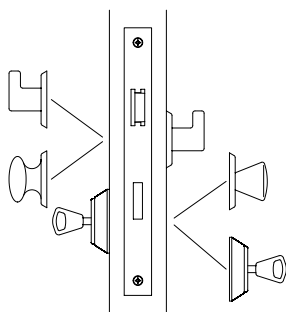
Cylinder ABLOY® N, T, U, SCAND

Fire resistance –

Mortise standard SFS 5210
SS 81 73 82
Please see page 44



ABLOY® 4202



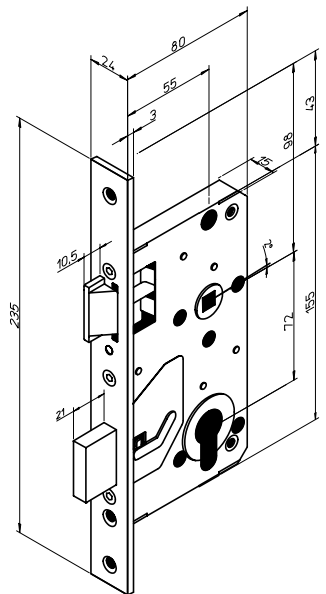
Symmetrical DIN euro cylinder lock for fire doors. The latch is controlled by lever handles or a cylinder and the deadbolt by the cylinder. The deadbolt is protruding 20 mm. The lock can be used with DIN escutcheons and long plates. The handedness can easily be changed by pushing the latch bolt inside the lock case and turning it.

Striker plate 4673

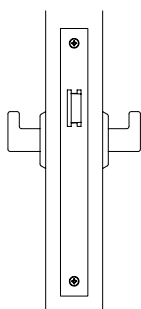
Finish Rst

Cylinder Euro DIN

Fire resistance Suitable for fire doors



ABLOY® 4203

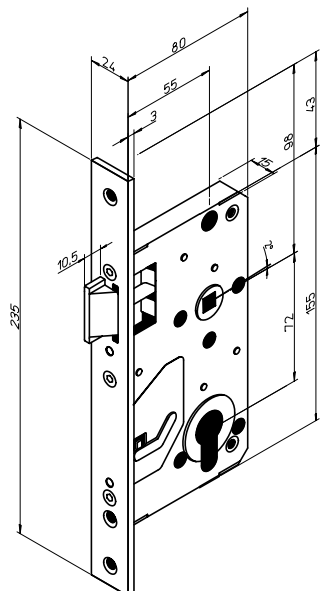


Symmetrical DIN lock for fire doors with handle function. The lock can be used with DIN escutcheons and long plates. The handedness can easily be changed by pushing the latch bolt inside the lock case and turning it.

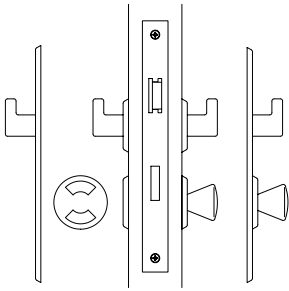
Striker plate 4673

Finish Rst

Fire resistance Suitable for fire doors

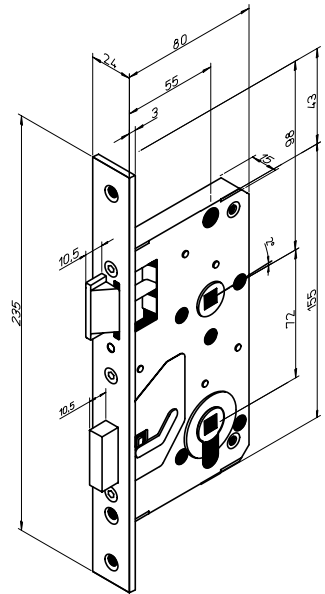


ABLOY® 4207

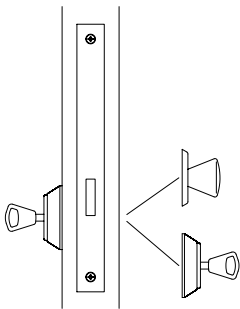


Symmetric DIN lock for toilet doors.
The handing of the lock can easily be changed by turning the latch 180°.
The latch is controlled by lever handles and the deadbolt by a toilet thumbturn (8 mm spindle).
The deadbolt is protruding 10 mm.

- Striker plate 4673
- Finish Rst
- Fire resistance -
- Mortise standard Please see page 47

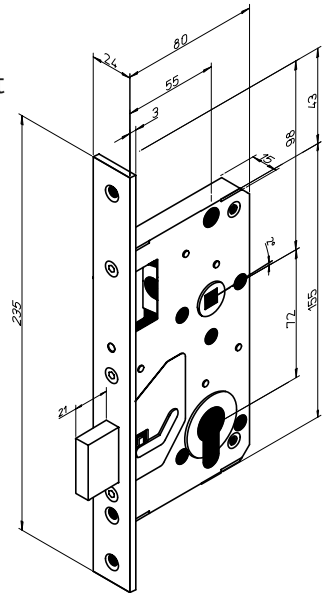


ABLOY® 4208

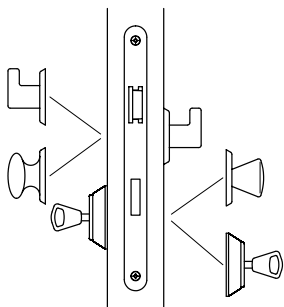


Symmetrical DIN lock with deadbolt function.
The deadbolt is controlled by the cylinder. The deadbolt is protruding 20 mm. The lock can be used with DIN escutcheons and long plates.

- Striker plate 4673
- Finish Rst
- Cylinder Euro DIN
- Fire resistance -

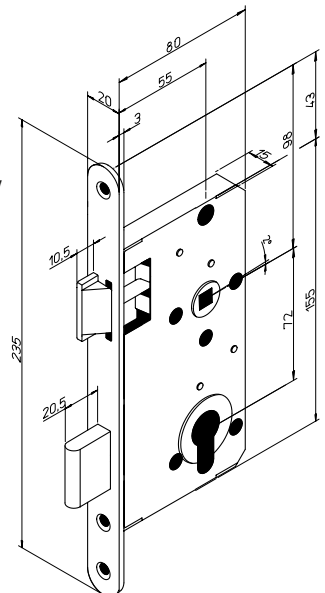


ABLOY® 4292

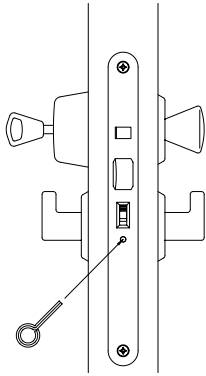


Symmetrical DIN euro cylinder lock for fire doors.
The latch is controlled by lever handles or a cylinder and the deadbolt by the cylinder. The deadbolt is protruding 20 mm. The lock can be used with DIN escutcheons and long plates. The handedness can easily be changed by pushing the latch bolt inside the lock case and turning it.

- Striker plate 0029, 4669 (Finish Fe/MME, Fe/ZL)
- Finish for lock case Fe/MME, Fe/ZL
- Cylinder Euro DIN
- Fire resistance Suitable for fire doors



ABLOY® LC102



Cylinder lock case with an automatically deadlocking latchbolt. The lock must always be equipped with handles on both inside and outside. The deadlocking is controlled by a snib in the forend.

When the snib is in deadlocking mode, the door is opened by turning the outside key 180° or the inside thumbturn 90°. The handles are then activated, and the latchbolt can be retracted.

Snib position:

UP = Deadlocking, latchbolt protrudes 21 mm. The lever handles are activated by the key or the thumbturn.

DOWN = Latchbolt protrudes 14 mm.

The door is opened with the lever handles.

The lock case LC102 is fitted with a feature to prevent unauthorized use of the snib. The snib is locked to the deadlocking mode by turning a set screw, located below the snib, about two turns anticlockwise by a hexagonal key, until the screw stops and is opened by turning the screw clockwise.

LC102X is the microswitch version of the lock. The switch changes its status when the bolt has protruded to 21 mm. Following striker plates are recommended to be used with a microswitch locking box: 4692, 4693.

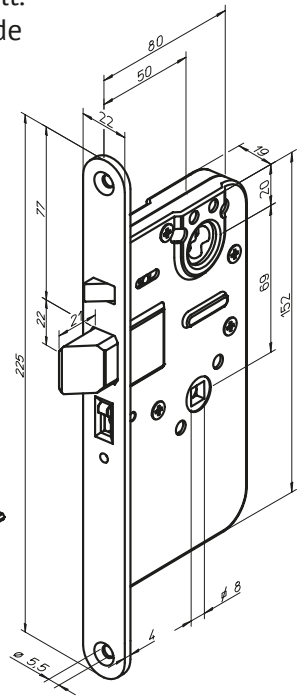
Striker plate: 4690, 4691, LP711, LP714, LP721, LP731

Finish: Fe/ZL

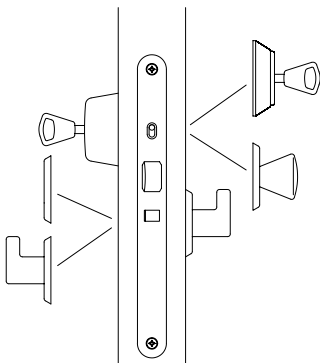
Cylinder: ABLOY® C, N, T, U

Fire resistance: Suitable for fire doors.

Mortise standard: OneFit mortise. Please see page 49



ABLOY® LC190



A cylinder lock case with an automatically deadlocking latchbolt.

The latchbolt is deadlocked when both triggering bolt and latchbolt are retained inside the lock case.

The deadlocking is controlled by a snib in the forend. The lock case is fitted with a feature to prevent unauthorized use of the snib. The snib can be moved by turning first the key or thumbturn.

Snib position:

UP = Deadlocking, latchbolt protrudes 21 mm. The lock can be opened only with a key or a thumbturn.

DOWN = Latchbolt protrudes 14 mm. The lock can also be opened with the lever handles.

LC190X is the microswitch version of the lock.

The switch changes its status when the latchbolt protrudes 21 mm.

Following striker plates are recommended to be used with a microswitch locking box: 4692, 4693.

Striker plate: 4690, 4691, LP711, LP714, LP721, LP731

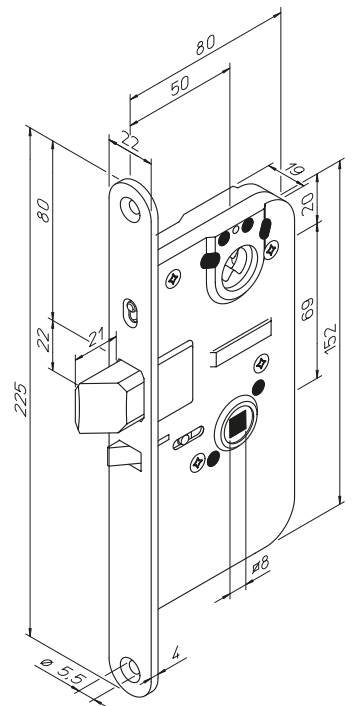
Finish: Fe/ZL

Cylinder: ABLOY® C, N, T, U

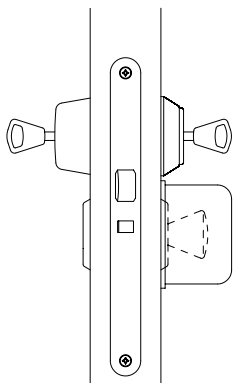
Fire resistance: Suitable for fire doors.

Mortise standard: OneFit mortise

Please see page 49



ABLOY® LC193



Cylinder lock case for emergency exits. The latchbolt deadlocks automatically when the door is closed, protruding 21 mm.

The lock case is suitable for use with a double cylinder and an emergency exit thumbturn. The bolt is opened with either the key or the emergency thumbturn.

LC193X is the microswitch version of the lock. The switch changes its status when the latchbolt protrudes 21 mm.

Following striker plates are recommended to be used with a microswitch locking box: 4692, 4693.

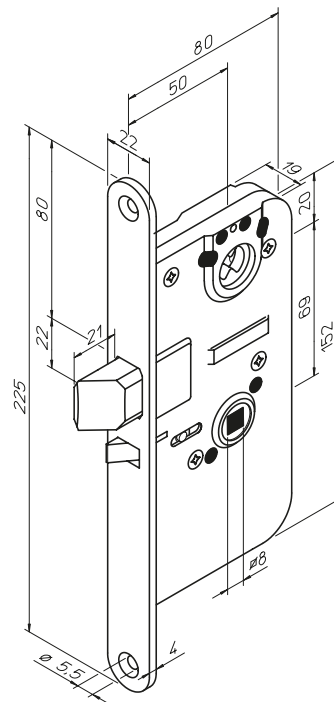
Striker plate: 4690, 4691, LP711, LP714, LP721, LP731

Finish: Fe/ZL

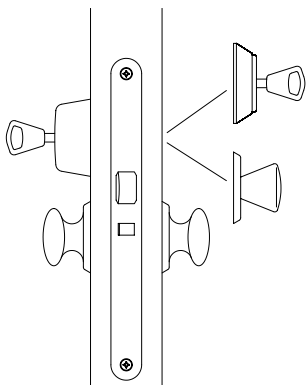
Cylinder: ABLOY® C, N, T, U

Fire resistance: Suitable for fire doors.

Mortise standard: OneFit mortise
Please see page 49



ABLOY® LC194



Lock case with an automatically deadlocking latchbolt. The latchbolt is deadlocked when both triggering bolt and latchbolt are retained inside the lock case. The latchbolt protrudes to 21 mm when the door is closed.

The lock has no lever handle operation. The bolt is opened with either a key or a thumbturn.

LC194X is the microswitch version of the lock. The switch changes its status when the bolt protrudes 21 mm.

Following striker plates are recommended to be used with a microswitch locking box: 4692, 4693.

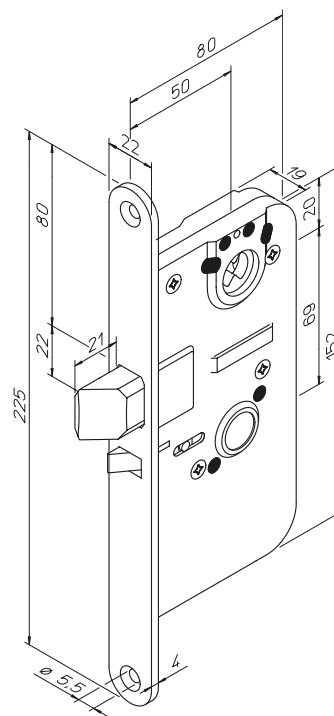
Striker plate: 4690, 4691, LP711, LP714,

Finish: Fe/ZL

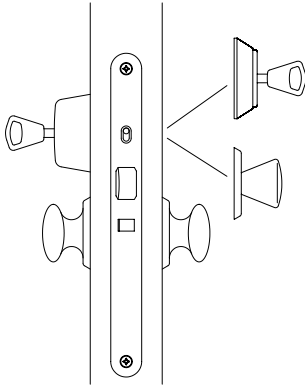
Cylinder: ABLOY® C, N, T, U

Fire resistance: Suitable for fire doors.

Mortise standard: OneFit mortise
Please see page 49



ABLOY® LC195



Lock case with an automatically deadlocking latchbolt. The latchbolt is deadlocked when both triggering bolt and latchbolt are retained inside the lock case. Deadlocking is controlled by a snib in the front plate. The lock cases fitted with at feature to prevent unauthorized use of te snib.

The snib can be moved by turning first the key or thumbturn. The lock has no lever handle operation.

Snib position:

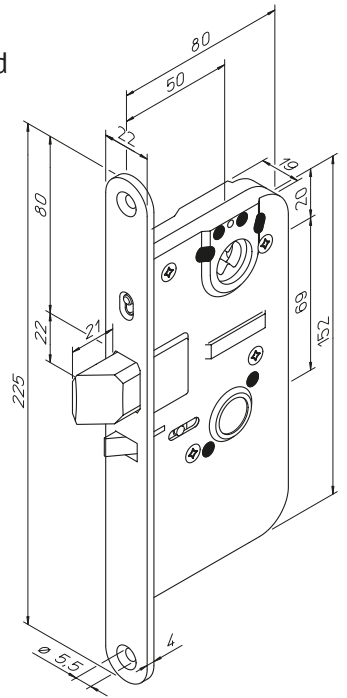
UP = Deadlocking, latchbolt protrudes 21 mm. The lock can be opened only with a key or a thumbturn.

DOWN = Latchbolt is retained inside the lock case.

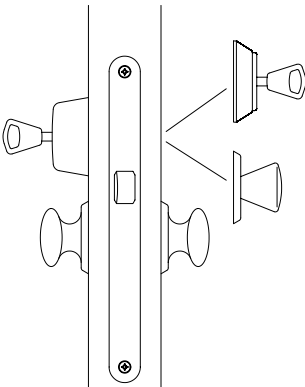
LC195X is the microswitch version of the lock.

The switch changes it's status when the bolt protrudes 21 mm. Following striker plates are recommended to be used with a microswitch locking box: 4692, 4693.

Striker plate: 4690, 4691, LP711, LP714, LP721, LP731
 Finish: Fe/ZL
 Cylinder: ABLOY® C, N, T, U
 Fire resistance -
 Mortise standard: OneFit mortise
 Please see page 49



ABLOY® LC197



Cylinder lock case with a cylinder function for fire doors. The lock is opened by a key or a thumbturn.

The non-deadlocking latchbolt protrudes 14 mm. The lock can also be used with electromechanical striker plates.

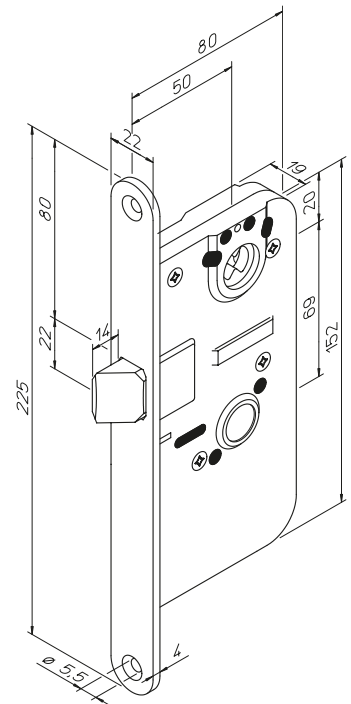
Striker plate: 4690, 4691, LP711, LP714, LP721, LP731

Finish: Fe/ZL

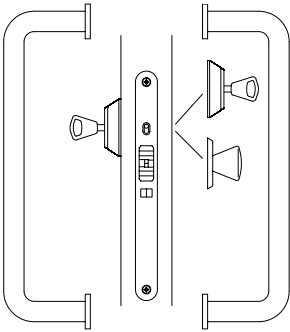
Cylinder: ABLOY® C, N, T, U

Fire resistance: Suitable for fire doors.

Mortise standard: OneFit mortise
 Please see page 49



ABLOY® LC960



Cylinder lock case with an automatically deadlocking hookbolt for folding and sliding doors. The deadlocking is controlled by a snib in the forend.

Snib position:

UP = Deadlocking, when the door is closed.

The lock can be opened with a key or a thumbturn.

DOWN = Hookbolt is retained inside the lock case.

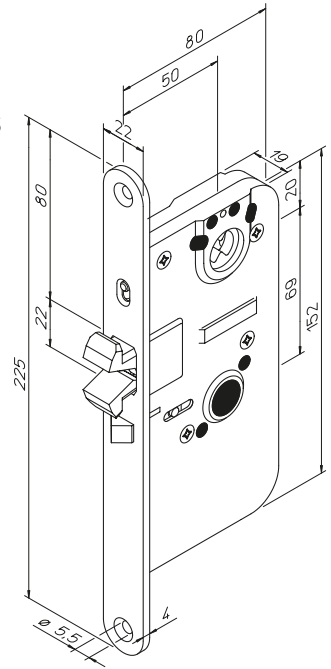
Striker plate: 4662

Finish: Fe/ZL

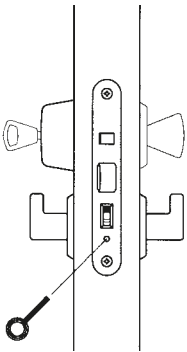
Cylinder: ABLOY® C, N, T, U

Fire resistance -

Mortise standard: OneFit mortise
Please see page 49



ABLOY® LC100



Lock case with an automatically deadlocking latchbolt.

The lock must always be equipped with handles, as the latchbolt is retracted with the handles only.

The deadlocking is controlled by a snib in the forend.

When the snib is in deadlocking mode, the door is opened by turning the outside key 180° or the inside thumbturn 90°. The handles are then activated, and the latchbolt can be retracted.

Snib position:

UP = Deadlocking, latchbolt protrudes 21 mm. The lever handles are activated by the key or the thumbturn.

DOWN = Latchbolt protrudes 14 mm.

The door is opened with the lever handles.

The lock case LC100 is fitted with a feature to prevent unauthorized use of the snib. The snib is locked to the deadlocking mode by turning a set screw, located below the snib, about two turns anticlockwise by a hexagonal key, until the screw stops and is opened by turning the screw clockwise.

LC100X is the microswitch version of the lock. The switch changes its status when the bolt has protruded to 21 mm. Following striker plates are recommended to be used with a microswitch locking box: 4692, 4693.

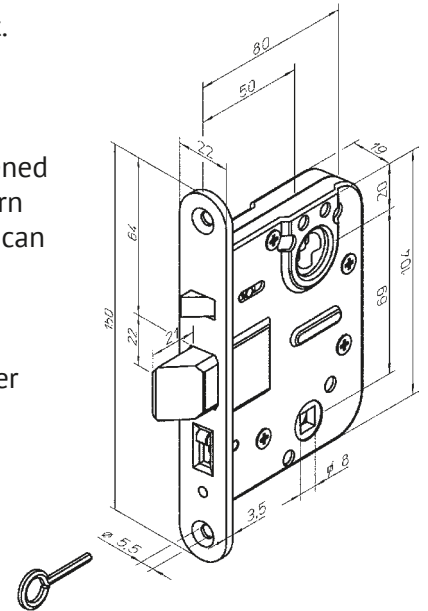
Striker plate 4690, 4691, LP711, LP714, LP721, LP731

Finish Fe/ZL

Cylinder ABLOY® C, N, T, U

Fire resistance: Suitable for fire doors.

Mortise standard SFS 5209
Please see page 48



ABLOY® 4194

Lock case with an automatically deadlocking latchbolt. The latchbolt protrudes to 21 mm when the door is closed. The lock has no lever handle operation. The bolt is opened with either a key or a thumbturn. 4194X is the microswitch version of the lock. The switch changes its status when the bolt has protruded to 15 mm or more.

Following striker plates are recommended to be used with a microswitch locking box: 4692, 4693.

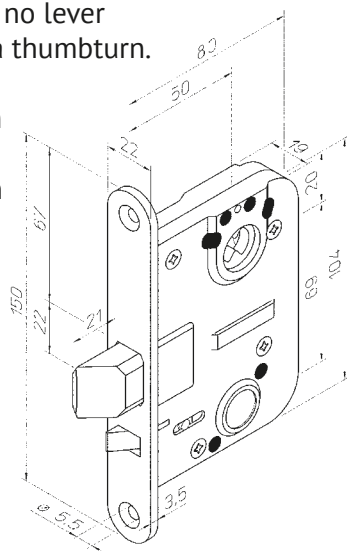
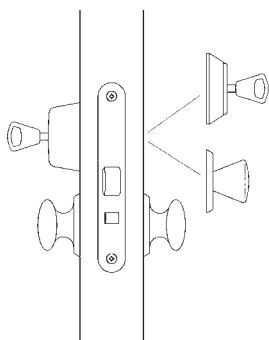
Striker plate 4690, 4691, LP711, LP714, LP721, LP731

Finish Fe/ZL

Cylinder ABLOY® C, N, T, U

Fire resistance: Suitable for fire doors.

Mortise standard SFS 5209. Please see page 48



ABLOY® 4195

Lock case with an automatically deadlocking latchbolt. The latchbolt can be retained inside the lock case. Deadlocking is controlled by a snib in the front plate.

The lock has no lever handle operation.

Snib position:

UP = Deadlocking, latchbolt protrudes 21 mm. The lock can be opened only with a key or a thumbturn.

DOWN = Latchbolt is retained inside the lock case.

The door is kept closed by using a door closer.

4195X is the microswitch version of the lock. The switch changes its status when the latchbolt leaves its day locking position, i.e. the bolt protrudes 15 mm or more.

Following striker plates are recommended to be used with a microswitch locking box: 4692, 4693.

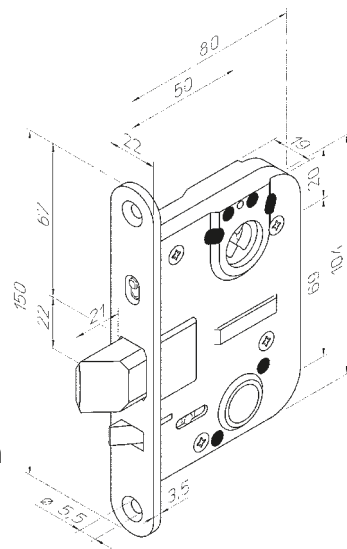
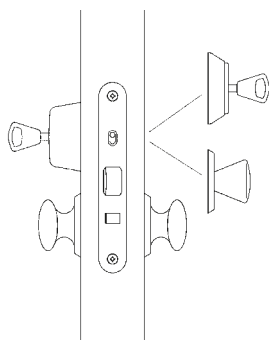
Striker plate 4690, 4691, LP711, LP714, LP721, LP731

Finish Fe/ZL

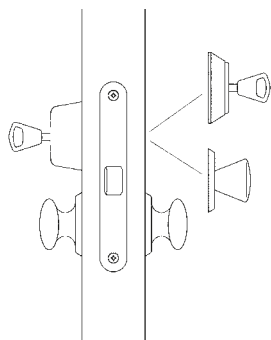
Cylinder ABLOY® C, N, T, U

Fire resistance -

Mortise standard SFS 5209 Please see page 48



ABLOY® 4197



Lock case with a cylinder function for fire doors. The lock is opened by a key or a thumbturn. The non-deadlocking latchbolt protrudes 14 mm. The lock can also be used with electromechanical striker plates. Following striker plates are recommended to be used with a microswitch locking box: 4692, 4693

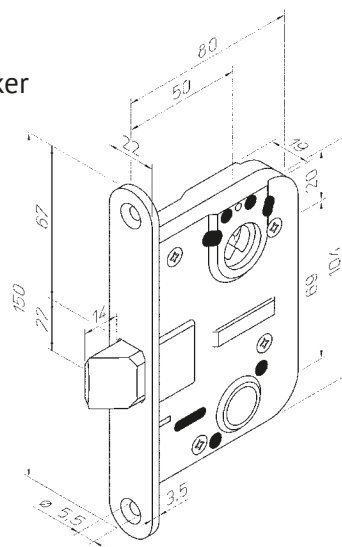
Striker plate 4690, 4691, LP711, LP714, LP721, LP731

Finish Fe/ZL

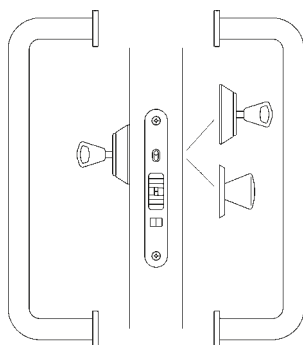
Cylinder ABLOY® C, N, T, U

Fire resistance: Suitable for fire doors.

Mortise standard SFS 5209. Please see page 48



ABLOY® 4960



Lock case with an automatically deadlocking hookbolt for folding and sliding doors. The deadlocking is controlled by a snib in the forend.

Snib position:

UP = Deadlocking, when the door is closed.

The lock can be opened with a key or a thumbturn.

DOWN = Hookbolt is retained inside the lock case.

Striker plate 4662

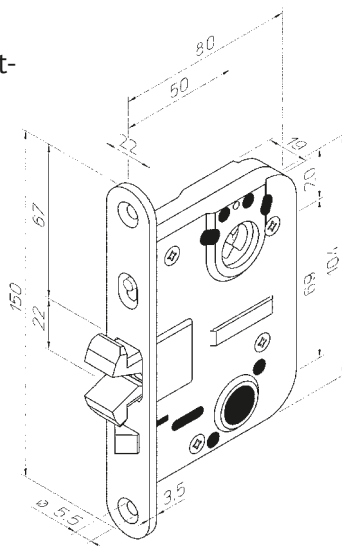
Finish Fe/ZL

Cylinder ABLOY® C, N, T, U

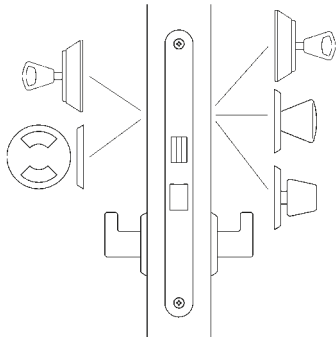
Fire resistance -

Mortise standard SFS 5209

Please see page 48



ABLOY® LC200



Lock case with a deadbolt protruding 20 mm and a latchbolt. The deadbolt is locked and retracted by turning the key or thumbturn 90°. A further 5° turn will retract the latchbolt as well. The latchbolt is retracted also by the lever handles.

LC200X is the microswitch version of the lock. The switch changes its status when the bolt has protruded to 20 mm.

Striker plate LP712, LP717, LP722, LP732, 0034, 0079

Finish Fe/ZL

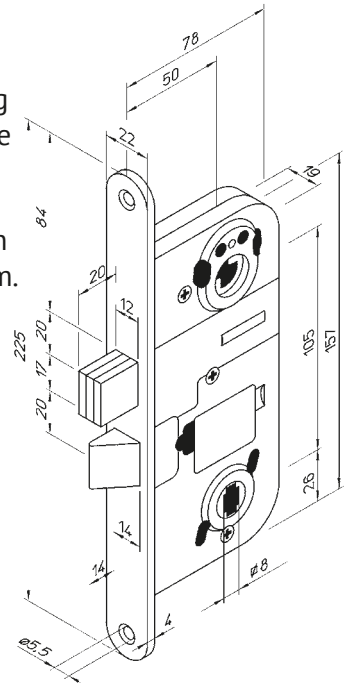
Cylinder ABLOY® N, T, U, SCAND

Fire resistance Suitable for fire doors.

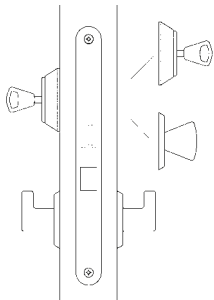
Mortise standard SFS 5208

SS 81 73 83

Please see page 48



ABLOY® LC210



Security mortise lock (security grade 5 according to EN 12209) with a hardened bolt and drilling protection. The deadbolt has 20 mm bolt throw. The deadbolt is locked and retracted by turning the key 360° or thumbturn 90°. The key can only be removed when the deadbolt is fully locked or retracted.

The latchbolt is retracted by the lever handles only.

LC210X is the microswitch version of the lock. The switch changes its status when deadbolt protrudes moves to 20 mm.

Striker plate LP710, LP712, LP717, LP722, LP732, 0079

Finish Fe/ZL

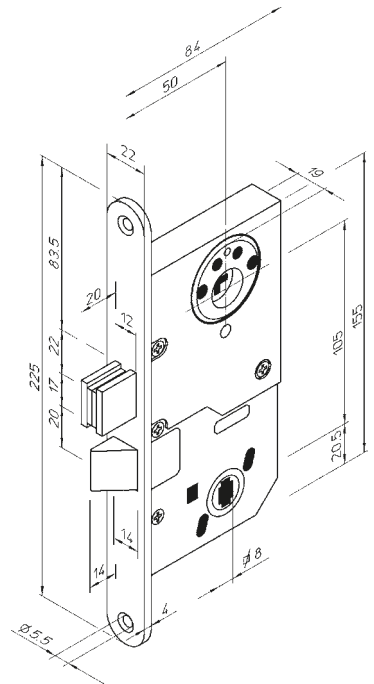
Cylinder ABLOY® C, N, T, U

Fire resistance Suitable for fire doors.

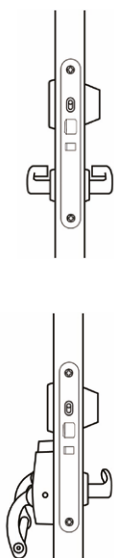
Mortise standard SFS 5208

SS 81 73 83

Please see page 48



ABLOY® LE180



Exit lock cases with automatic deadlocking latchbolt for wooden doors with one blade. The door is opened from outside with a lever handle. The lock case fulfils the requirements of the European standard for exit products SFS-EN179 and SFS-EN1125 and the requirements of the lock case standard SFS-EN12209. The lock is always opened from the inside by a lever handle or a panic bar.

Deadlocking is controlled by a snib in the front plate. Using of the snib is normally blocked. The snib is released by turning the key.

Snib position:

UP = Deadlocking, latchbolt protrudes 17 mm

The lock can be opened from outside by key only and from inside by a lever handle, push pad or panic bar.

DOWN = Latchbolt protrudes 14 mm. The lock can be opened from outside by lever handle also.

LE180X is the microswitch version of the lock. The switch changes the status when latchbolt is protruded from 14 mm to 17 mm.

Following striker plates are recommended to be used with microswitch version: 4692, 4693.

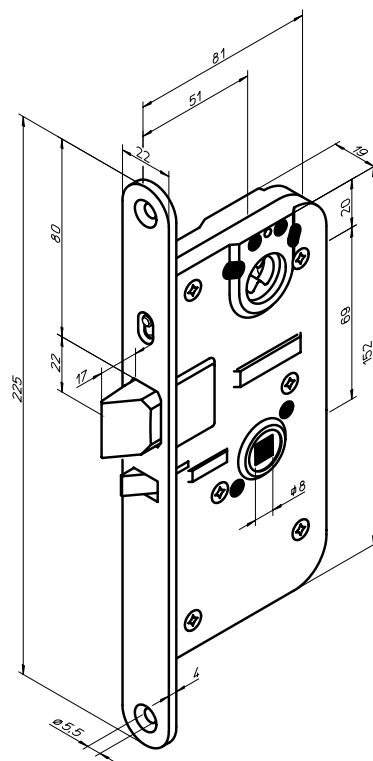
Striker plate LP711, LP714, LP721, LP731

Finish Fe/ZL

Cylinder ABLOY® C, N, T, U

Fire resistance: Suitable for fire doors.

Mortise standard OneFit mortise



ABLOY® LE184



Exit lock case with automatic deadlocking latchbolt for wooden doors with one blade. The door is opened from outside with a door pull.

The lock case fulfils the requirements of the European standard for exit products SFS-EN179 and SFS-EN1125 and the requirements of the lock case standard SFS-EN12209.

The lock is always opened from the inside by a lever handle or a panic bar.

The lock is deadlocked always when the door is closed.

Latchbolt protrudes 17 mm.

LE184X is the microswitch version of the lock. The switch changes the status when latchbolt is protruded from 14 mm to 17 mm.

Following striker plates are recommended to be used with microswitch version: 4692, 4693.

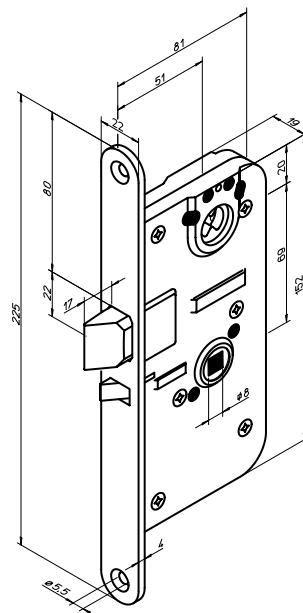
Striker plate LP711, LP714, LP721, LP731

Finish Fe/ZL

Cylinder ABLOY® C, N, T, U

Fire resistance: Suitable for fire doors.

Mortise standard OneFit mortise



ABLOY® LE185



Exit lock case with automatic deadlocking latchbolt for wooden doors with one blade. The door is opened from outside with a door pull. The lock case fulfils the requirements of the European standard for exit products SFS-EN179 and SFS-EN1125 and the requirements of the lock case standard SFS-EN12209.

The lock is always opened from the inside by a lever handle or a panic bar.

Deadlocking is controlled by a snib in the front plate. Using of the snib is normally blocked. The snib is released by turning the key.

Snib position:

UP = Deadlocking, latchbolt protrudes 17 mm

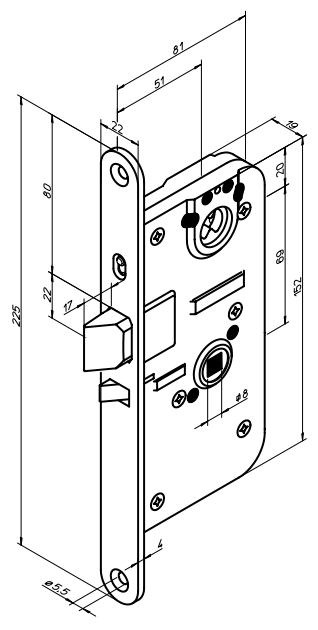
The lock can be opened from outside by key only and from inside by a lever handle, push pad or panic bar.

DOWN = Latchbolt is retained inside the lock case.

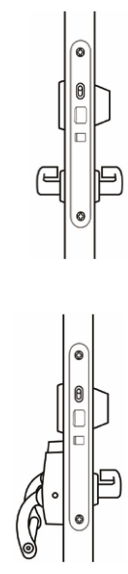
LE185X is the microswitch version of the lock. The switch changes the status when latchbolt is protruded from 14 mm to 17 mm.

Following striker plates are recommended to be used with microswitch version: 4692, 4693.

Striker plate	LP711, LP714, LP721, LP731
Finish	Fe/ZL
Cylinder	ABLOY® C, N, T, U
Fire resistance	-
Mortise standard	OneFit mortise



ABLOY® LE181



Exit lock case with automatic deadlocking latchbolt for the active side of wooden doors with two blades. The door is opened from outside with a lever handle.

The lock case fulfils the requirements of the European standard for exit products SFS-EN179 and SFS-EN1125 and the requirements of the lock case standard SFS-EN12209.

The lock is always opened from the inside by a lever handle or a panic bar. The latchbolt protrudes 14 mm.

Deadlocking is controlled by a snib in the front plate.

Using of the snib is normally blocked. The snib is released by turning the key.

Snib position:

UP = Deadlocking

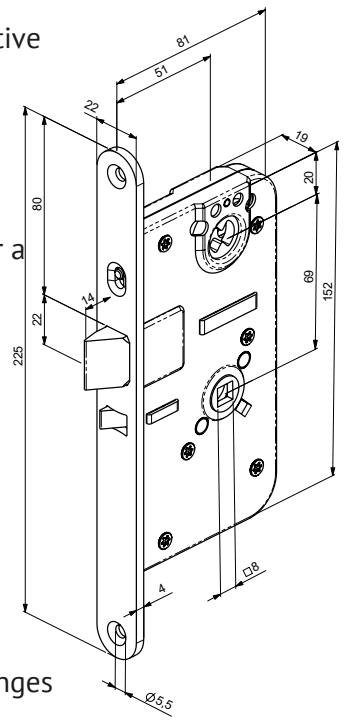
The lock can be opened from outside by key only and from inside by a lever handle, push pad or panic bar.

DOWN = Day latching, the lock can be opened from outside by lever handle also

LE181X is the microswitch version of the lock. The switch changes the status when latchbolt is deadlocked.

Passive lock case EXH911, EXB911, EXH915

Finish	Fe/ZL
Cylinder	ABLOY® C, N, T, U
Fire resistance:	Suitable for fire doors.
Mortise standard	OneFit mortise



ABLOY® LE183



Exit lock case with automatic deadlocking latchbolt for the active side of wooden doors with two blades. The door is opened from outside with a door pull. The lock case fulfils the requirements of the European standard for exit products SFS-EN179 and SFS-EN1125 and the requirements of the lock case standard SFS-EN12209. The lock is always opened from the inside by a lever handle or a panic bar. The lock is deadlocked always when the door is closed. The latchbolt protrudes 14 mm.

LE183X is the microswitch version of the lock. The switch changes the status when latchbolt is deadlocked.

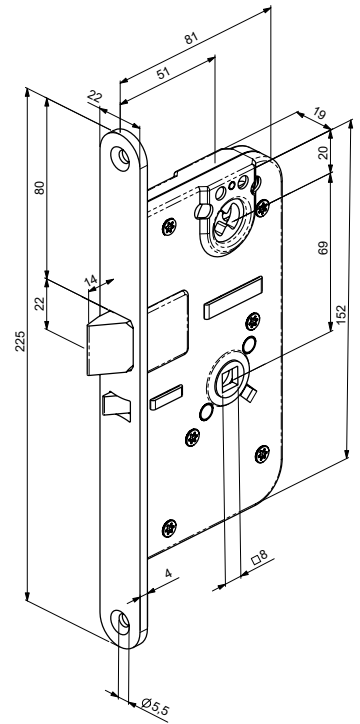
Passive lock case EXH911, EXB911, EXH915

Finish Fe/ZL

Cylinder ABLOY® C, N, T, U

Fire resistance: Suitable for fire doors.

Mortise standard OneFit mortise



ABLOY® LE186



Exit lock case with automatic deadlocking latchbolt for the active side of wooden doors with two blades. The door is opened from outside with a door pull. The lock case fulfils the requirements of the European standard for exit products SFS-EN179 and SFS-EN1125 and the requirements of the lock case standard SFS-EN12209. The lock is always opened from the inside by a lever handle or a panic bar. The latchbolt protrudes 14 mm.

Deadlocking is controlled by a snib in the front plate. Using of the snib is normally blocked. The snib is released by turning the key.

Snib position:

UP = Deadlocking

The lock can be opened from outside by key only and from inside by a lever handle, push pad or panic bar.

DOWN = Latchbolt is retained inside the lock case.

LE186X is the microswitch version of the lock. The switch changes the status when latchbolt is deadlocked.

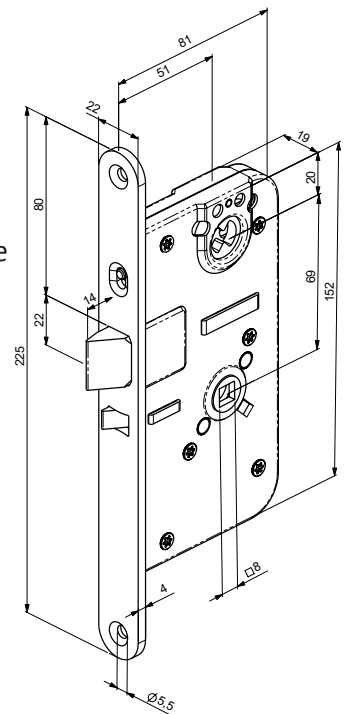
Passive lock case EXH911, EXB911, EXH915

Finish Fe/ZL

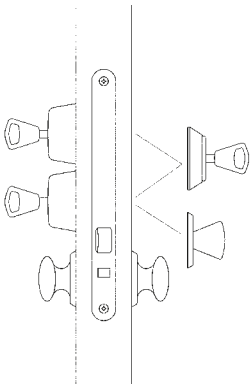
Cylinder ABLOY® C, N, T, U

Fire resistance –

Mortise standard OneFit mortise



ABLOY® LC120



Double cylinder lock case with an automatically deadlocking latchbolt. The latchbolt protrudes 21 mm. The lock is opened with a key or a thumbturn. The lock can be used in doors, which should be deadlocked always when they are closed. LC120X is the microswitch version of the lock. The switch changes it's status when the latchbolt protrudes 15 mm or more.

Striker plates to be used with a microswitch locking box: 4692, 4693.

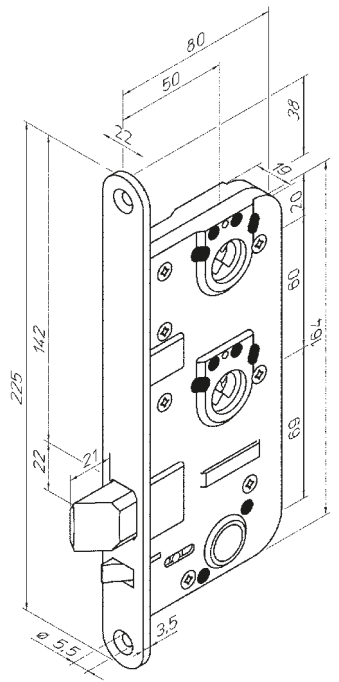
Striker plate 4690, 4691, LP711, LP714, LP721, LP731

Finish Fe/ZL

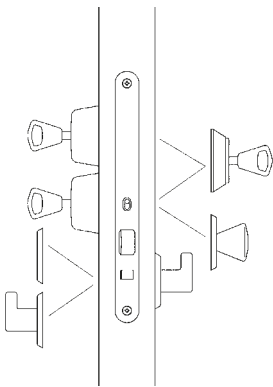
Cylinder ABLOY® C, N, T, U

Fire resistance Suitable for fire doors.

Mortise standard Please see page 50



ABLOY® LC121



Double cylinder lock case with an automatically deadlocking latchbolt. The deadlocking is controlled by a snib in the front plate.

Snib position:

UP = Deadlocking, latchbolt protrudes 21 mm. The lock can be opened only with a key or a thumbturn.

DOWN = Latchbolt protrudes 14 mm.

The lock can be opened also with lever handles.

LC121X is the microswitch version of the lock. The switch changes it's status when the latchbolt leaves its day locking position, i.e. the bolt protrudes 15 mm or more.

Striker plates to be used with a microswitch locking box: 4692, 4693.

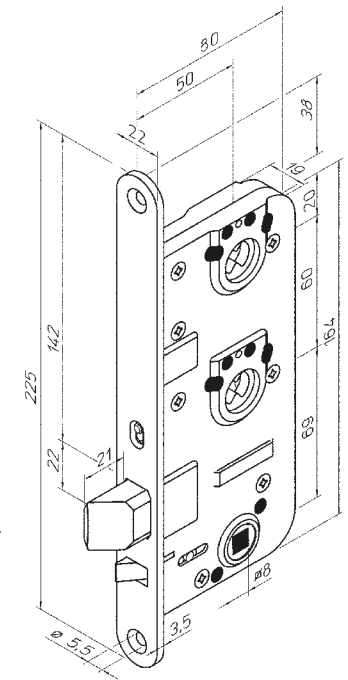
Striker plate 4690, 4691, LP711, LP714, LP721, LP731

Finish Fe/ZL

Cylinder ABLOY® C, N, T, U

Fire resistance Suitable for fire doors.

Mortise standard Please see page 50



ABLOY® LC122

Double cylinder lock case with an automatically deadlocking hookbolt for folding and sliding doors. The deadlocking is controlled by the snib in the forend.

Snib position:

UP = Deadlocking, when the door is closed. The lock can be opened with a key or thumbturn.

DOWN = Hookbolt is retained in the lock case.

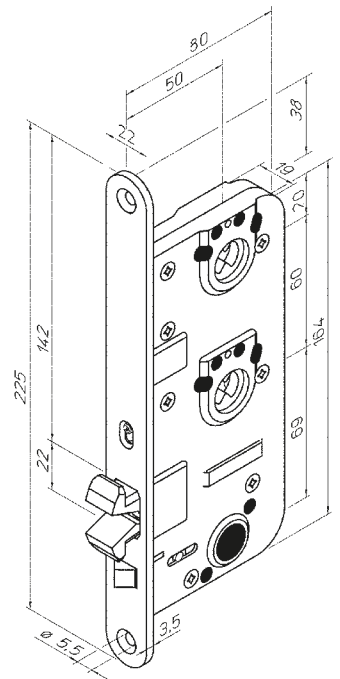
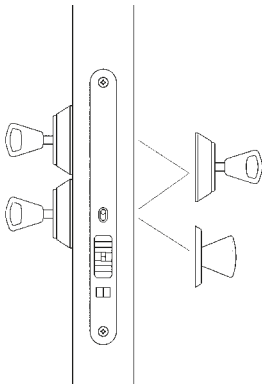
Striker plate 4662

Finish Fe/ZL

Cylinder ABLOY® C, N, T, U

Fire resistance -

Mortise standard Please see page 50



ABLOY® 428

Security lock (comparable with security grade 4 according to EN 12209) with more than 100 000 different key combinations. The key can only be removed when the deadbolt is fully locked or retracted.

The deadbolt protrudes 20 mm.

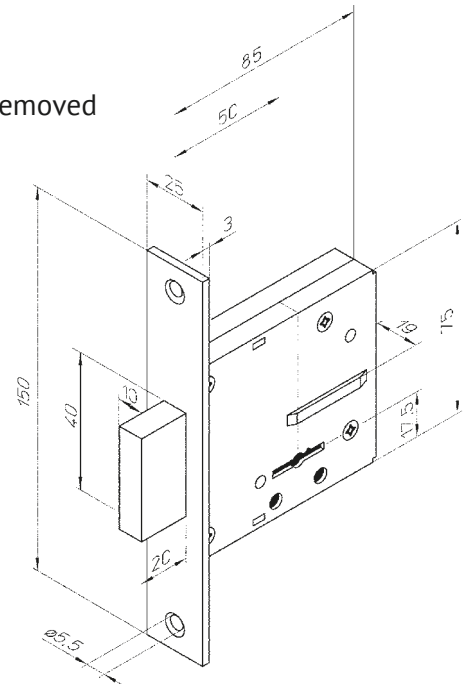
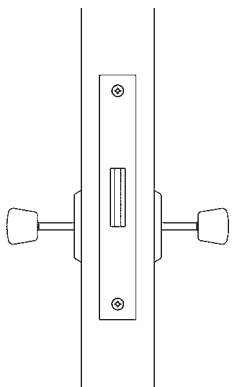
The lock is able to be keyed alike with 2928 lock.

Striker plate 0036, 0065

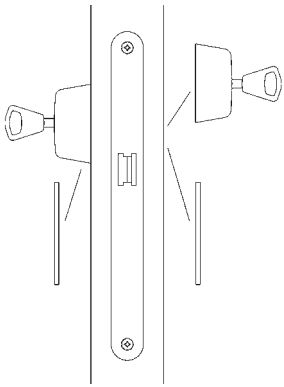
Finish Fe/ZL

Fire resistance -

Mortise standard Please see page 50



ABLOY® 4181



Security lock case (comparable with security grade 5 according to EN 12209) with hardened bolt and drilling protection. The key can only be removed when the deadbolt is fully locked or retracted.

4181X is the microswitch version of the lock. The switch changes its status when deadbolt moves to 20 mm.

Striker plate 4690, 4691, LP710, LP711, LP714, LP721, LP731

Finish Fe/ZL

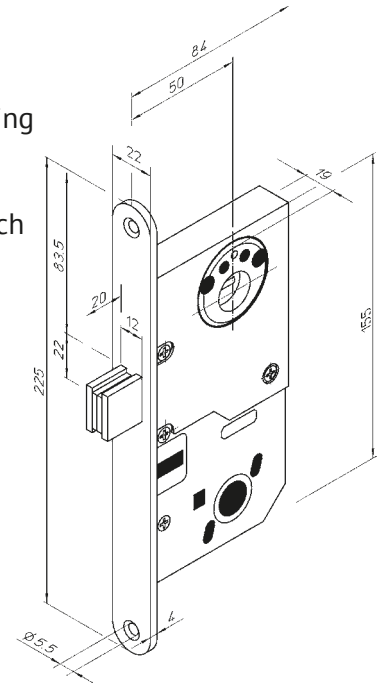
Cylinder ABLOY® C, N, T, U

Fire resistance -

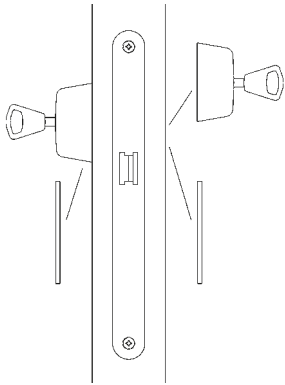
Mortise standard SFS 5208

SS 81 73 83

Please see page 48



ABLOY® LC211



Security mortise lock case (comparable with security grade 5 according to EN 12209) with hardened deadbolt and drilling protection.

The deadbolt has a 20 mm bolt throw. The deadbolt is locked and retracted by turning the key or thumbturn 360°. The key can only be removed when the deadbolt is fully locked or retracted.

LC211X is the microswitch version of the lock. The switch changes its status when deadbolt moves to 20 mm.

Striker plate 4690, 4691, LP710, LP712, LP717, LP722, LP732

Finish Fe/ZL

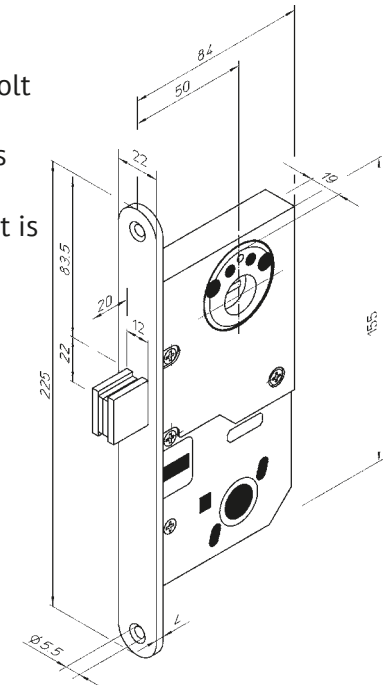
Cylinder ABLOY® N, T, U

Fire resistance -

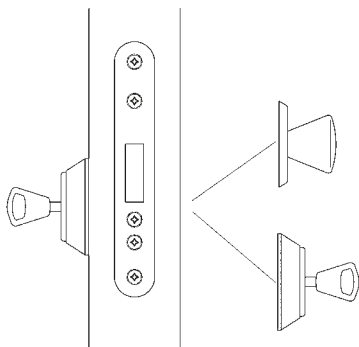
Mortise standard SFS 5208

SS 81 73 83

Please see page 48



ABLOY® 4232



Security lock (comparable with security grade 3 according to EN 12209). The hardened hookbolt with intermediate locking position is locked and retracted by turning the key 360°.

The deadbolt protrudes 23 mm.

The lock can be used with DIN standard fittings.

4232X is the microswitch version of the lock. The switch changes the status during the last key throw to the locking direction.

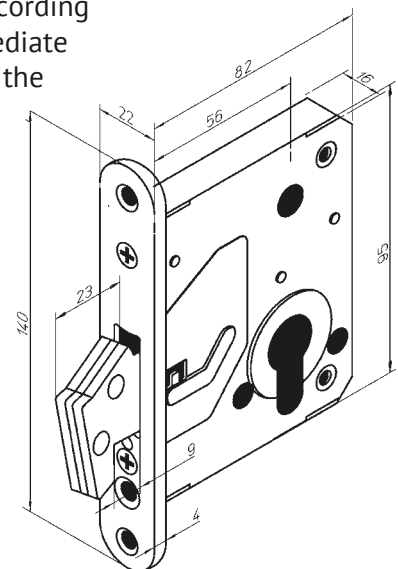
Striker plate 0036, 0065

Finish Fe/ZL

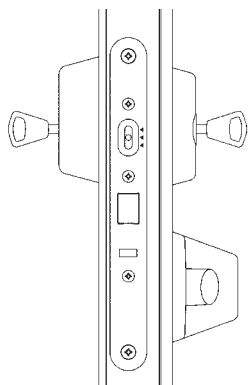
Cylinder Euro DIN

Fire resistance -

Mortise standard Please see page 50



ABLOY® LC301



Automatically deadlocking lock for narrow profile emergency exit doors. The lock can be opened either with a key (outside and inside) or by using an emergency thumbturn (sliding snib in UP position).

Latchbolt can be retained inside the lock case (sliding snib in DOWN position).

Sliding snib is released only when turning the key.

LC301X is the microswitch version of the lock. The switch changes it's status when the latchbolt protrudes 9 mm or more.

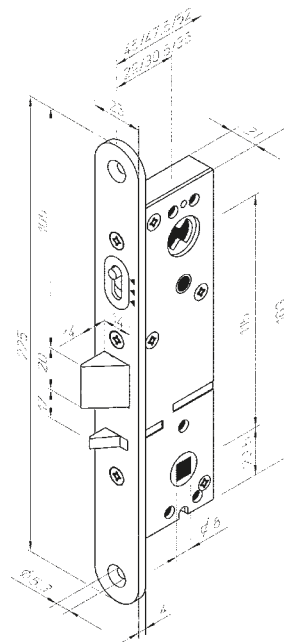
Striker plate 4613, 4614, LP702, LP703

Finish Fe/ZL

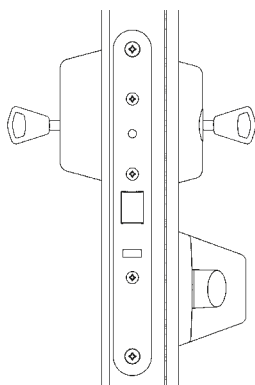
Cylinder ABLOY® C, N, T, U, SCAND

Fire resistance -

Mortise standard Please see page 52



ABLOY® LC301F



Automatically deadlocking lock for fire resisting narrow profile emergency exit doors.

The lock can be opened either with a key (outside and inside) or by using an emergency thumbturn.

There is no sliding snib. Automatic deadlocking when the door is closed.

LC301FX is the microswitch version of the lock. The switch changes it's status when the latchbolt protrudes 9 mm or more.

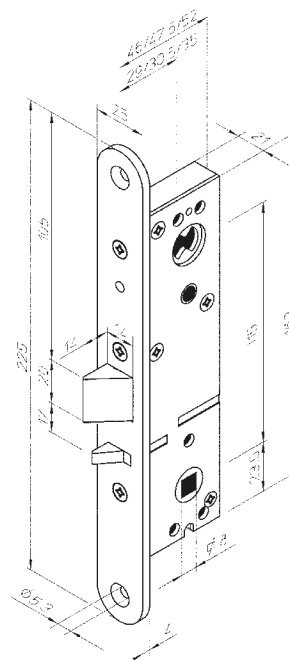
Striker plate 4613, 4614, LP702, LP703

Finish Fe/ZL

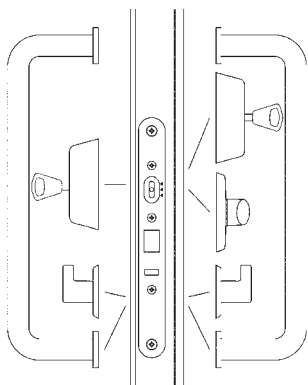
Cylinder ABLOY® C, N, T, U, SCAND

Fire resistance Suitable for fire doors.

Mortise standard Please see page 52



ABLOY® LC302



Automatically deadlocking lock for narrow profile doors.

Function is determined by sliding snib on forend:

UP position = automatic deadlocking. Opened by a key from either side, or by a thumbturn from inside.

MIDDLE position = lock is latched and operates also with handles.

DOWN position = latchbolt is retained inside the lock case.

Sliding snib is released only when turning the key (or thumbturn).

LC302X is the microswitch version of the lock. The switch changes it's status when the latchbolt protrudes 9 mm or more.

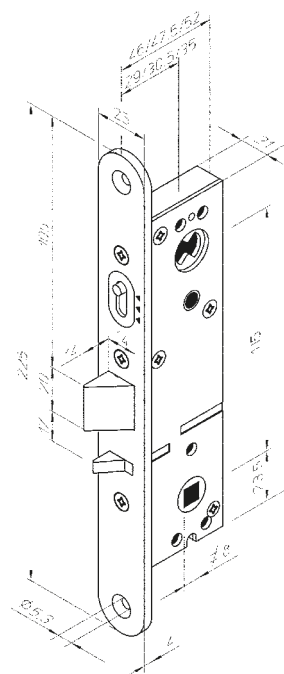
Striker plate 4613, 4614, LP702, LP703

Finish Fe/ZL

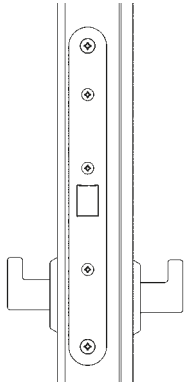
Cylinder ABLOY® C, N, T, U, SCAND

Fire resistance -

Mortise standard Please see page 52



ABLOY® LC303



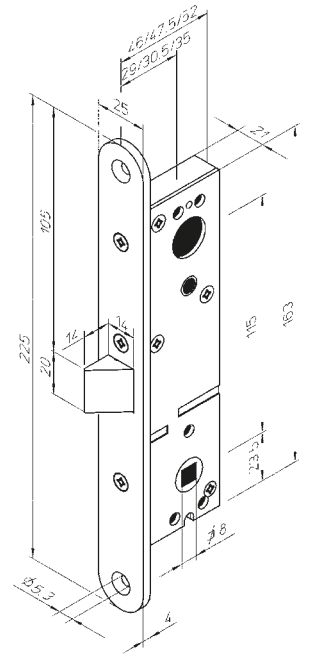
Mortise latch for narrow profile doors with lever handle function only.

Striker plate 4613, 4614, LP702, LP703

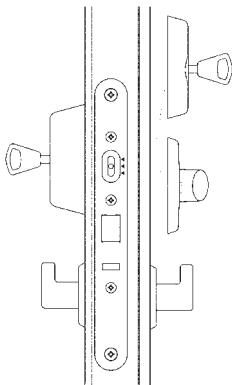
Finish Fe/ZL

Fire resistance Suitable for fire doors.

Mortise standard Please see page 52



ABLOY® LC305



Automatically deadlocking lock for narrow profile doors. Primarily for doors which must always be latched (e.g. fire doors) and where deadlocking is needed.

Function is determined by a sliding snib on forend:

UP position = automatic deadlocking. Operates by a key (or a thumbturn) from either side.

MIDDLE position = lock is latched and operates also with handles.

DOWN position = not in use.

Sliding snib is released only when turning the key (or thumbturn).

LC305X is the microswitch version of the lock. The switch changes its status when the latchbolt protrudes 9 mm or more.

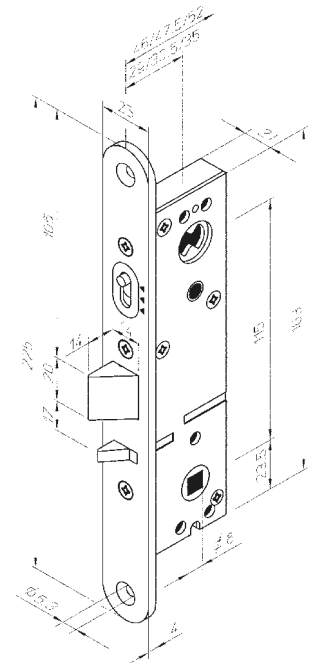
Striker plate 4613, 4614, LP702, LP703

Finish Fe/ZL

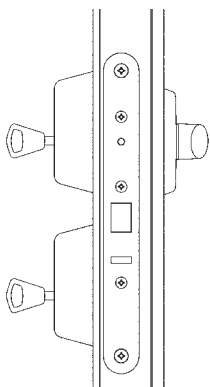
Cylinder ABLOY® C, N, T, U, SCAND

Fire resistance Suitable for fire doors.

Mortise standard Please see page 52



ABLOY® LC130



Double cylinder lock case with an automatic deadlocking for narrow profile doors. Automatic deadlocking when the door is closed. The lock is opened with a key or a thumbturn.

The cylinder and thumbturn which is used more is recommended to be installed higher up.

The lock can be fitted with a thumbturn and/or a one sided or a double sided cylinder. The lower cylinder is installed upside down due to the construction of the lock.

LC130X is the microswitch version of the lock. The switch changes its status when the latchbolt protrudes 9 mm or more.

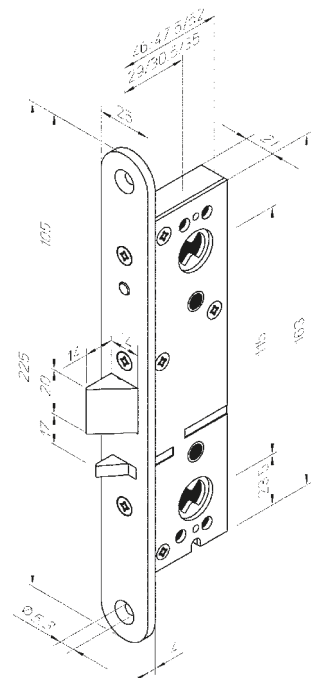
Striker plate 4613, 4614, LP702, LP703

Finish Fe/ZL

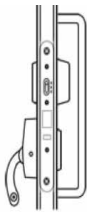
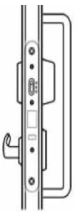
Cylinder ABLOY® C, N, T, U, SCAND

Fire resistance Suitable for fire doors.

Mortise standard Please see page 52



ABLOY® LE315



Exit lock case with automatic deadlocking latchbolt for profile doors with one blade. The door is opened from outside with a door pull.

The lock case fulfils the requirements of the European standard for exit products SFS-EN179 and SFS-EN1125 and the requirements of the lock case standard SFS-EN12209. The lock is always opened from the inside by a lever handle or a panic bar. The latchbolt protrudes 14 mm.

Deadlocking is controlled by a snib in the front plate. Using of the snib is normally blocked. The snib is released by turning the key.

Snib position:

UP = Deadlocked

The lock can be opened from outside by key only and from inside by a lever handle, push pad or panic bar.

DOWN = Latchbolt is retained inside the lock case.

LE315X is the microswitch version of the lock. The switch changes the status when latchbolt is deadlocked.

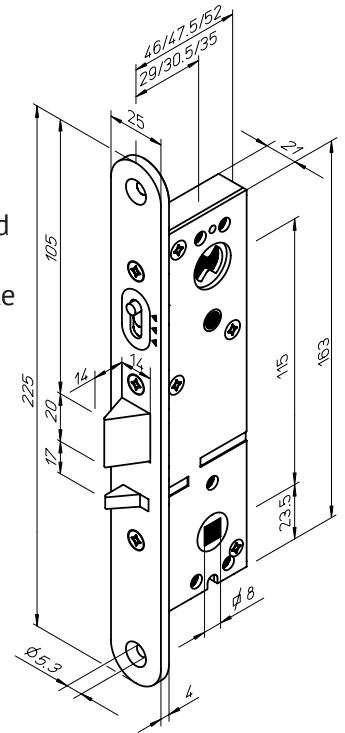
Striker plate LP702, LP703

Finish Fe/ZL

Cylinder ABLOY® C, N, T, U,

Fire resistance –

Mortise standard Mortise for profile door lock cases

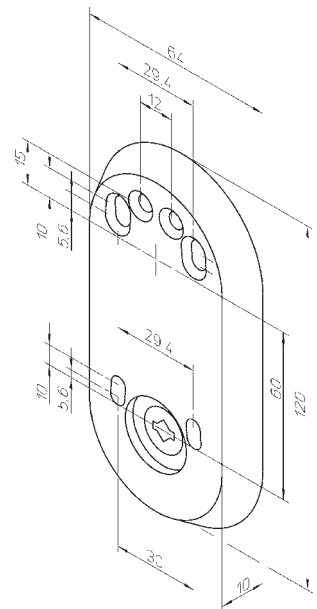


Transfer device ABLOY® 518

The surface mounted ABLOY® 518 transfer device can be used to combine two different key or cylinder systems and it can easily be installed also on existing locks of different types.

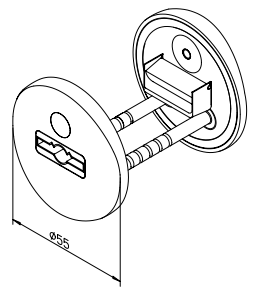
The device can be used to combine
 ABLOY® C, N, T, U with ABLOY® C, N, T, U
 ABLOY® N, T, U with SCAND cylinders or
 SCAND with SCAND

NB. Fittings to be ordered separately



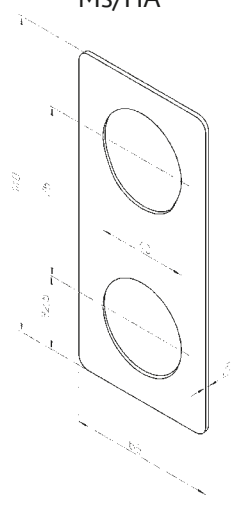
Escutcheons

968
(lock 428)
Finish Ms/CR.

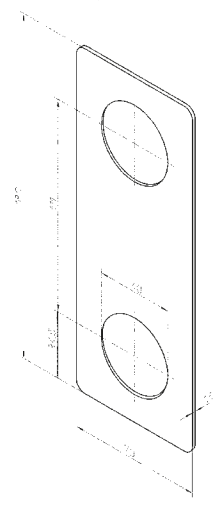


Cover plates

023
Finish
Ms/CR
Ms/HA

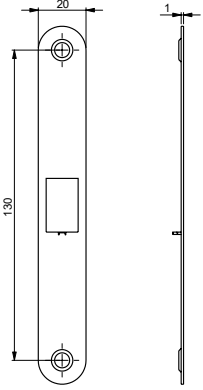


025
Finish
Ms/CR
Ms/HA

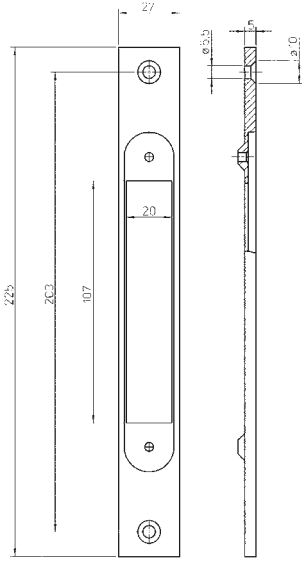


Cover front plates

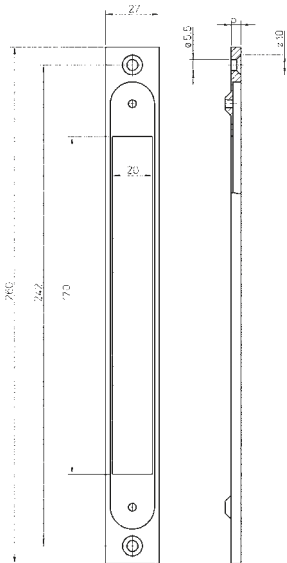
7641
Finish
Fe/CR, Fe/HCR
Ms/HA, Ms/KILA,
Rt



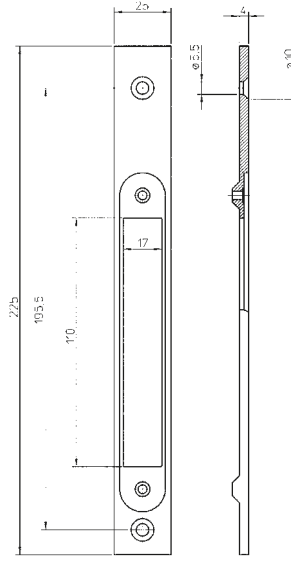
7690
Finish
Zn/CR



7691
Finish
Al/CR

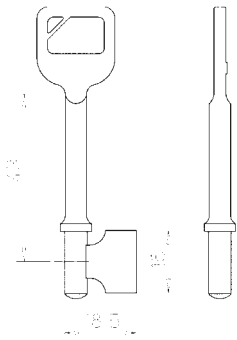


7694
Finish
Zn/CR

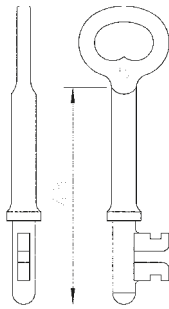


Keys

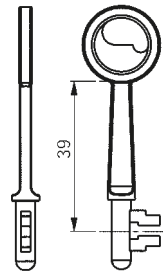
2011
Length 43,72 mm



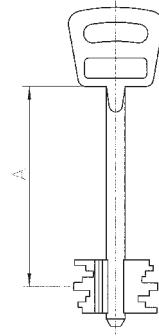
2014
Length 48,68 mm



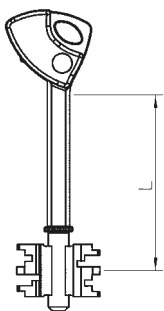
2040
Length 39 mm



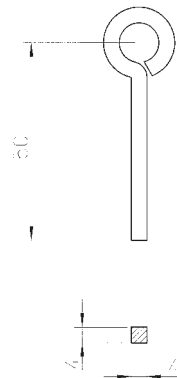
SL928, 428, 451S
Length 43, 53, 69 mm



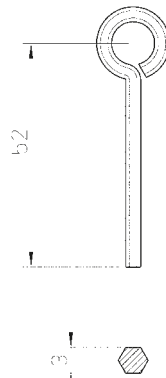
SL905
Length 47,60 mm



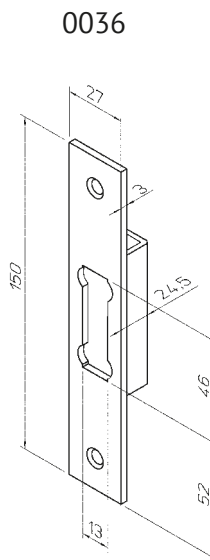
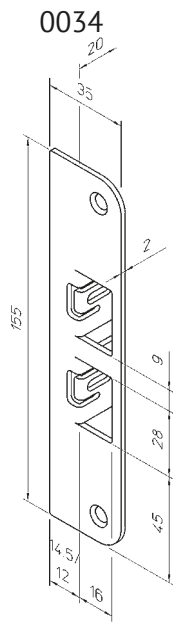
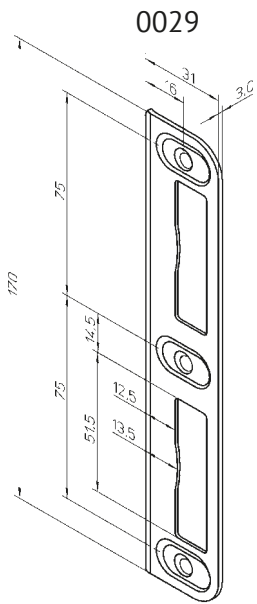
Square key



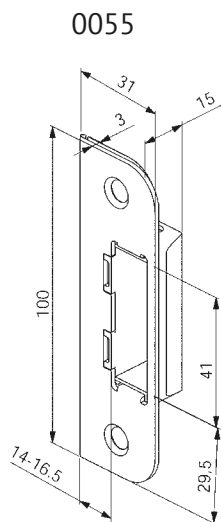
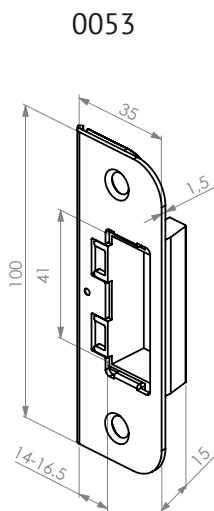
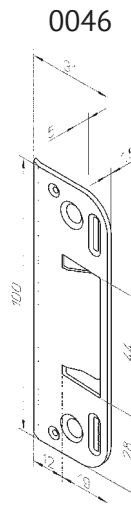
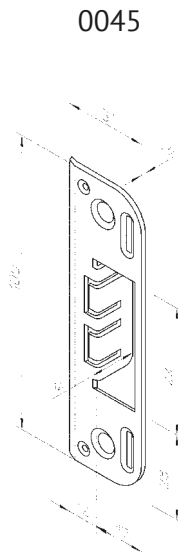
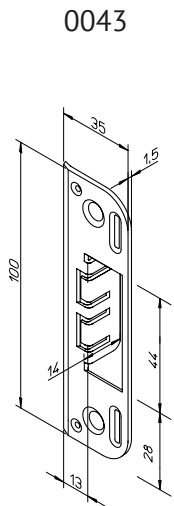
Hexagonal key



Striker plates



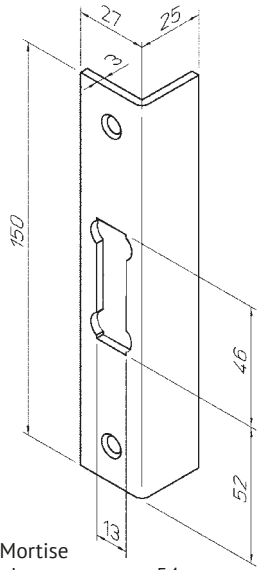
Mortise
please see
page 54



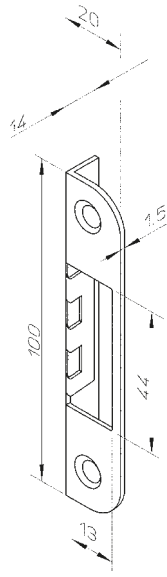
Striker plates 0053 and 0055 have a 2,5 mm adjustment by which the function of the door can be optimized.

Striker plates

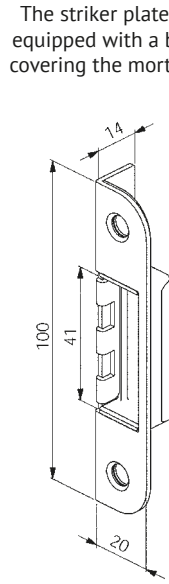
0065



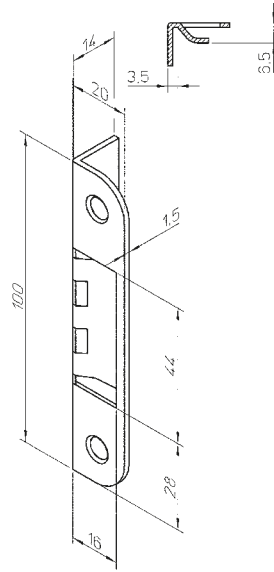
0068



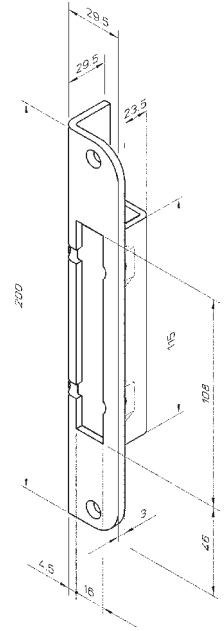
0068B



0078



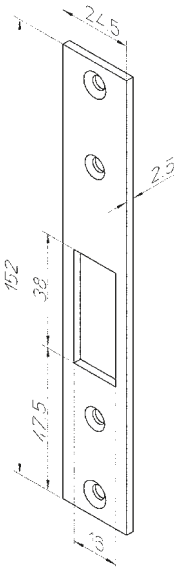
0079



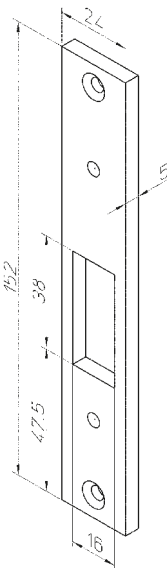
The striker plate is equipped with a box covering the mortise.

Mortise please see page 54

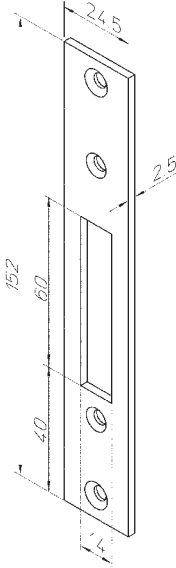
4613



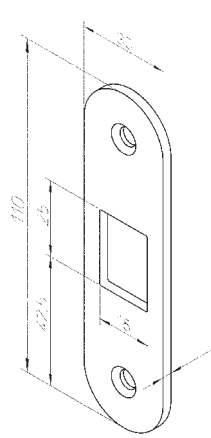
4614



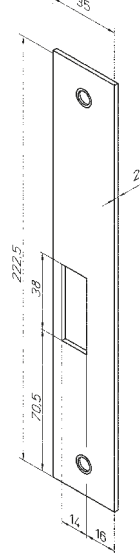
4655



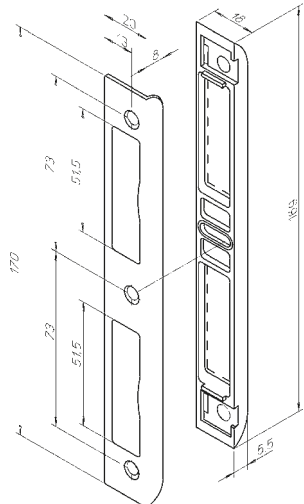
4662



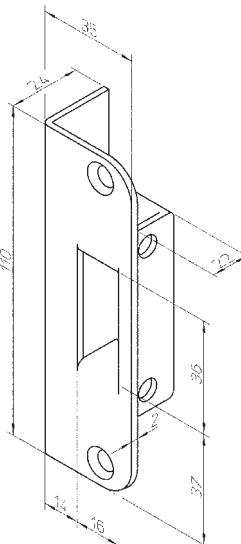
4666



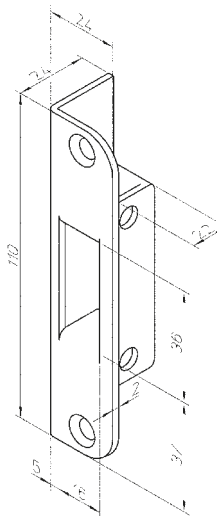
4669



4690

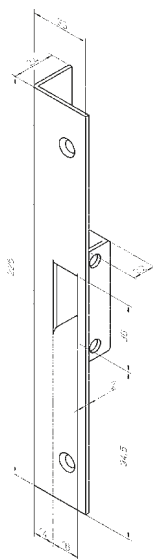


4691

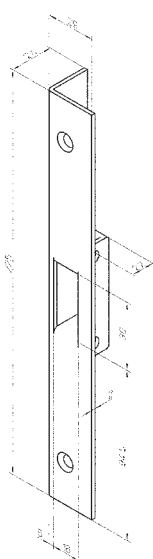


Striker plates

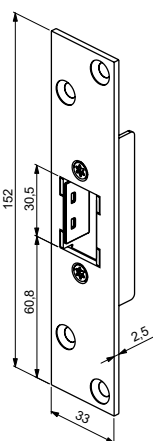
4692



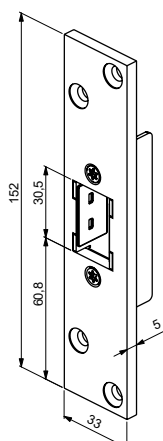
4693



LP702



LP703



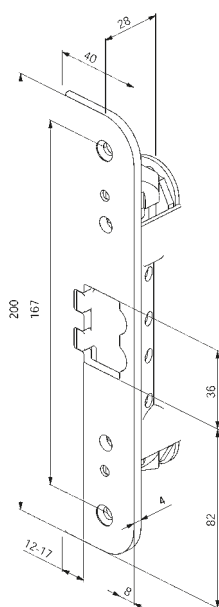
Adjustable striker plates

The striker plates have a patented stepless and slipless adjusting mechanism, by which the function of the seal can be optimized in all circumstances. This makes the door comfortable to use.

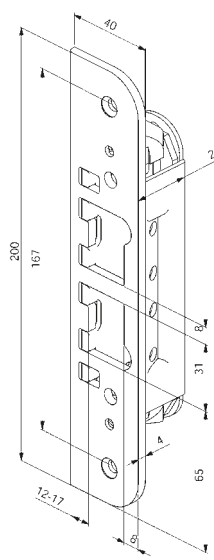
LP710 and LP720 series have a 5 mm and **LP730 series** a 3 mm adjustment range. The adjustment is made by turning two screws in the forend of the striker plate by a screwdriver.

Mortise please see page 53

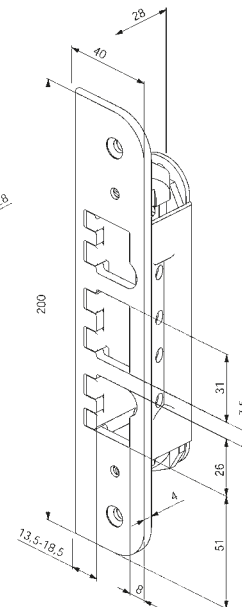
LP711



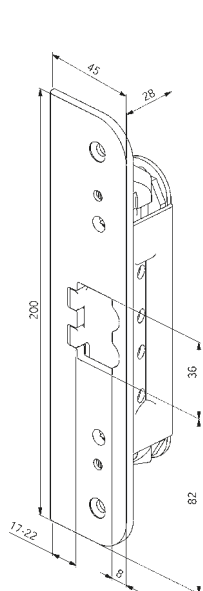
LP712



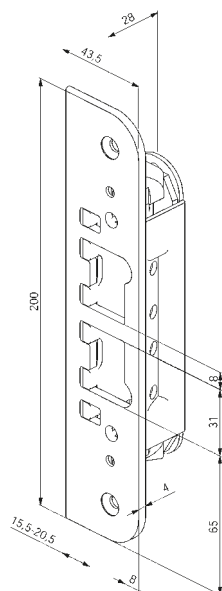
LP713



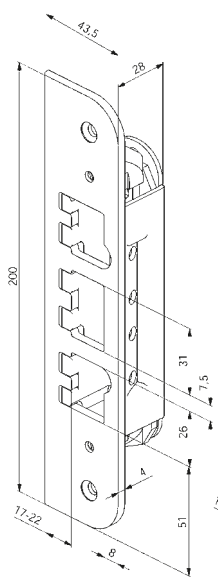
LP714



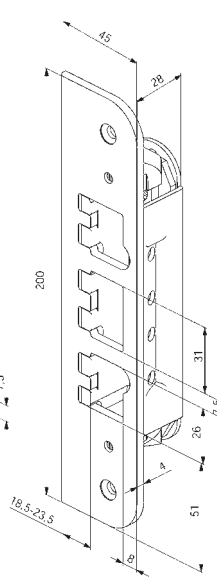
LP717



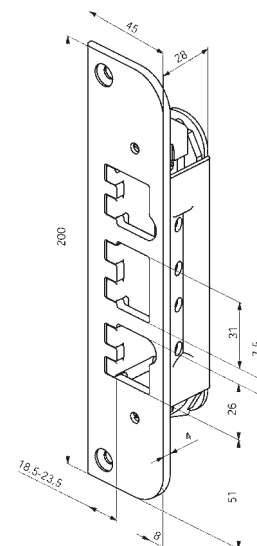
LP718



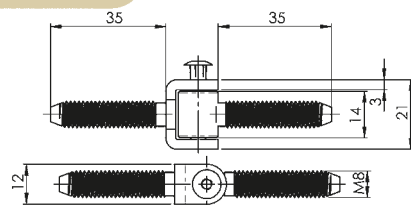
LP719



LP719L

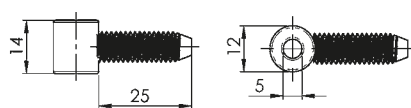


Drill-in hinges for windows



M8x35/12

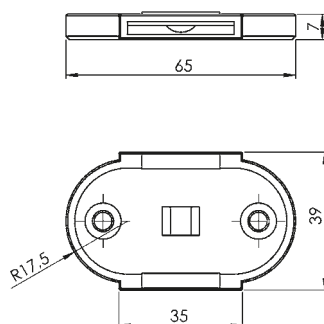
Material: steel.
Finishes: Val, Zn



M8x25/12 HOP for aluminium casement

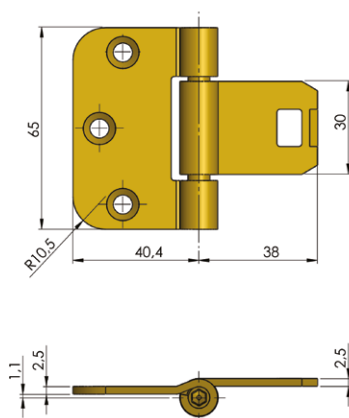
Material: steel.
Finishes: Val, Zn

Hinges for interior doors



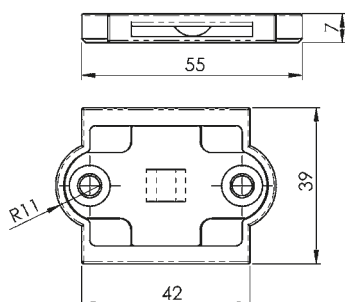
6540 door part

Material: steel/plastic.
Finishes: Val, MME, Har



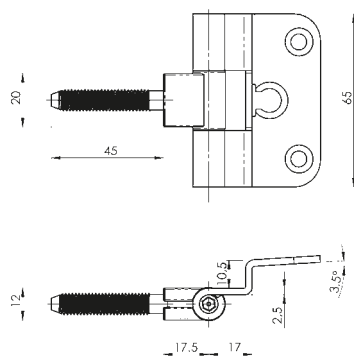
6540KS frame part

Material: steel
Finishes: Val, MME, Har
6540KS is vertically adjustable +/- 2 mm.
Symmetrical hinge for non-rebated interior doors.



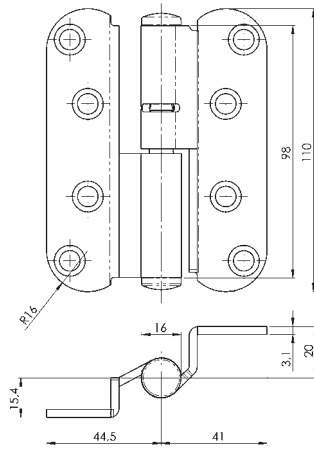
5538 door part

Material: steel/plastic
Finishes: Val, MME, Har



FT-65KS

Material: steel
Finishes: Val, MME, Har
FT-65KS is vertically adjustable +/- 3 mm.
Symmetrical hinge for rebated interior doors.
Door part M6/12x22, galvanized steel.

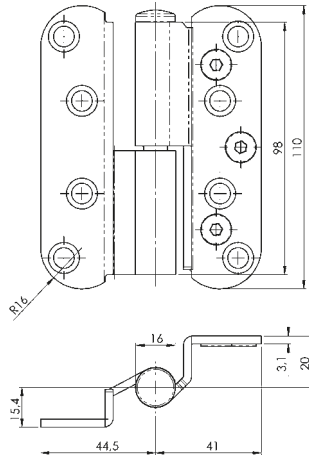
**NTR 110x30T**

Material: steel

Finishes: Zn, Cr

NTR 110x30T is vertically adjustable +3 mm (adjusting piece S=1 mm).

Journal supported lift-off hinge for rebated fire doors and inner doors of public premises

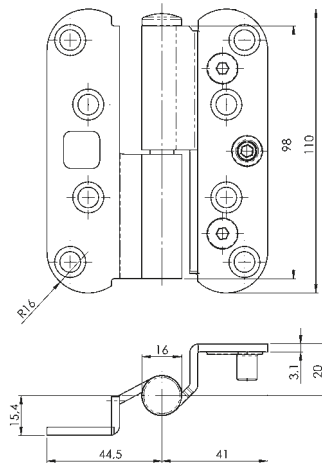
**NTR 110x30TKSS**

Material: steel

Finishes: Zn, Cr

NTR 110x30TKSS is vertically adjustable +4/-1,5 mm and laterally adjustable + 3 mm.

Journal supported lift-off hinge for rebated fire doors and inner doors of public premises

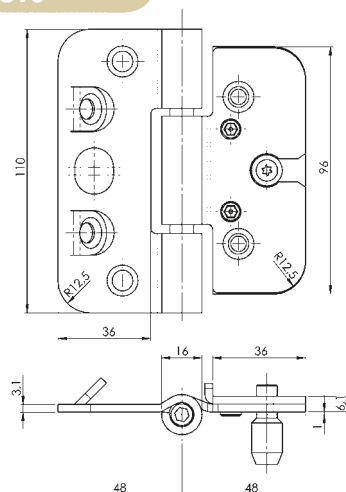
**NTR 110x30TMRKSS**

Material: steel

Finishes: Zn, Cr

NTR 110x30T is vertically adjustable +4/-1,5 mm, laterally adjustable +3 mm and burglary proof.

Journal supported lift-off hinge for rebated fire doors and inner doors of public premises

Hinges for exterior doors**110x36KSS**

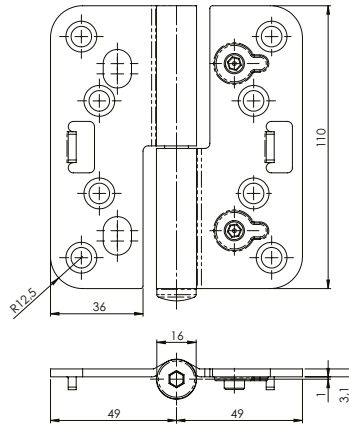
Material: steel

Finishes: Zn-PKI

110x36KSS is vertically adjustable +/- 3 mm, laterally adjustable + 3 mm and burglary proof.

Symmetrical hinge for non-rebated exterior doors.

Hinges for exterior doors



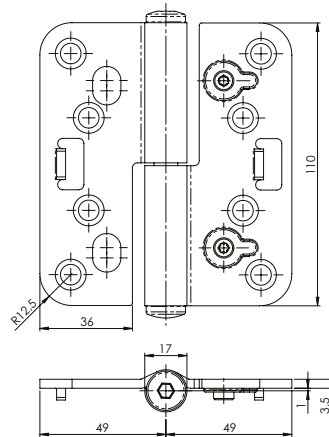
N3248-110TMKSS

Material: steel.

Finishes: Zn-Har, Zn-Val, Zn-PKE, Zn-PKI

N3248-110TMKSS is vertically adjustable -1/+4 mm, laterally adjustable +3 mm and burglary proof.

Journal supported lift-off hinge for non-rebated exterior doors.



N3548-110TMKSS

Material: steel.

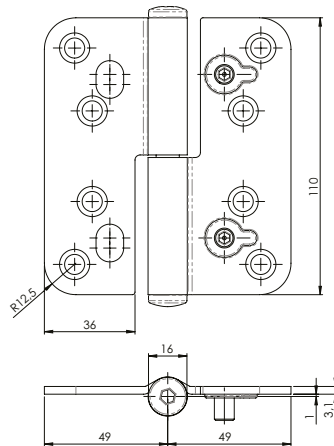
Finishes: Zn-Val, Zn-PKI, Zn-Har

Materiaali: ruostumaton teräs

Pintakäsittelyt: SVG

N3548-110TMKSS is vertically adjustable -1/+4 mm, laterally adjustable +3 mm and burglary proof.

Journal supported lift-off hinge for non-rebated exterior doors.



N3248-110TMRKSS

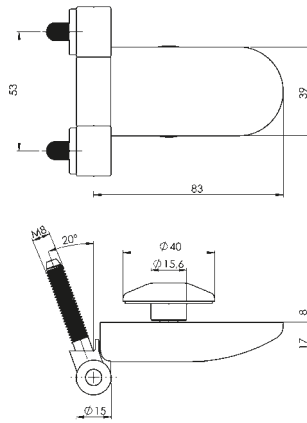
Material: steel.

Finishes: Har

N3248-110TMRKSS is vertically adjustable -1/+4 mm, laterally adjustable +3 mm and burglary proof.

Journal supported lift-off hinge for non-rebated exterior doors.

Hinges for glass doors

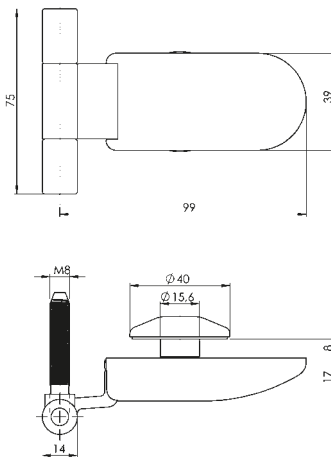


FL-75PSSD

Material: aluminium.

Finishes: Har, MMe

FL-75PSSD is laterally adjustable +/- 3 mm.



FL-75PSSGD

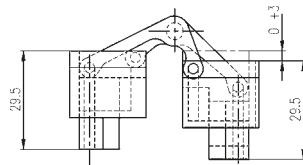
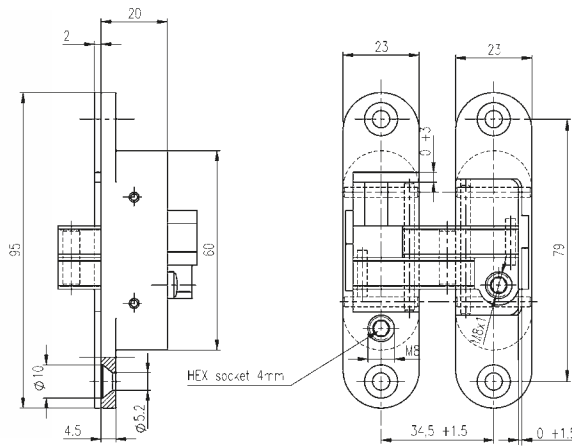
Material: aluminium.

Finishes: MMe, Har, Cr

FL-75PSSGD is laterally adjustable +/- 3 mm.

Free opening of M9 door is 800 mm (FOP hinge)

Concealed hinges



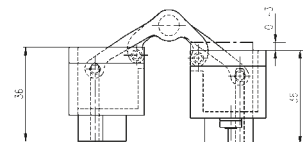
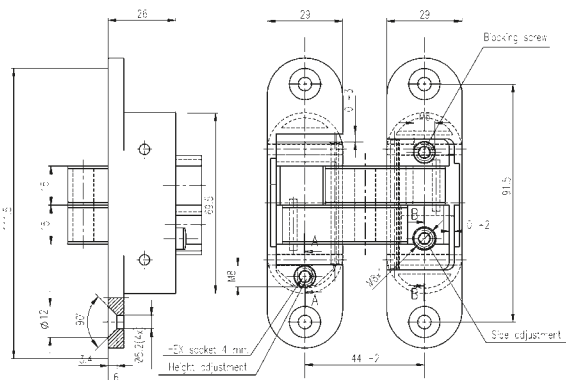
CH-40KSS

Material: zinc.

Finishes: satin nickel, nickel, brass.

Concealed hinge for non-rebated interior door.

Maximum door weight 40 kg.



CH-80KSS

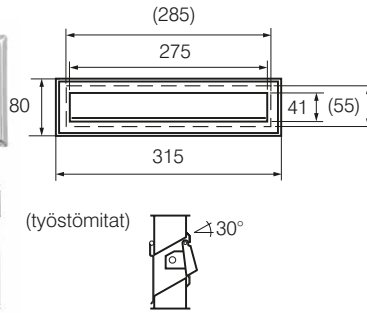
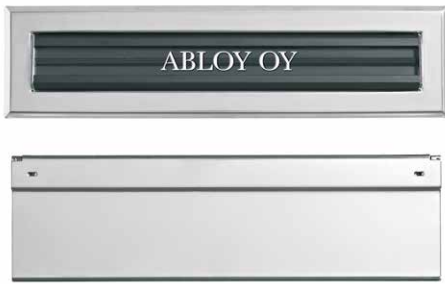
Material: zinc.

Finishes: satin nickel, nickel, brass

Concealed hinge for non-rebated interior door.

Maximum door weight 80 kg.

Letter plates

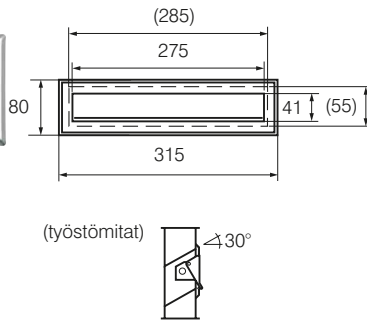


Letter plate DF60+63

Material: stainless steel.

Surface finish: polished.

For use with apartment front doors, as well as on front doors of houses. Includes a name plate, and can also be installed vertically.

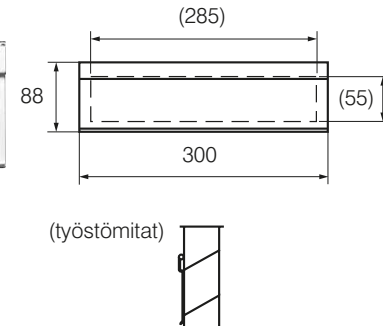


Letter plate DF61

Material: stainless steel.

Surface finish: polished.

For use with apartment front doors, as well as on front doors of houses. Can also be installed vertically.

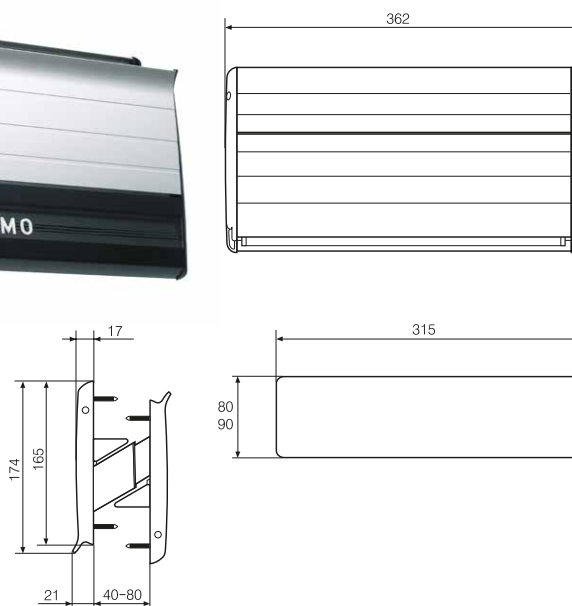


Flap DF63

Material: stainless steel.

Surface finish: polished.

Used in combination with letter plates DF60 and DF61.



Letter plate PRIMO 31

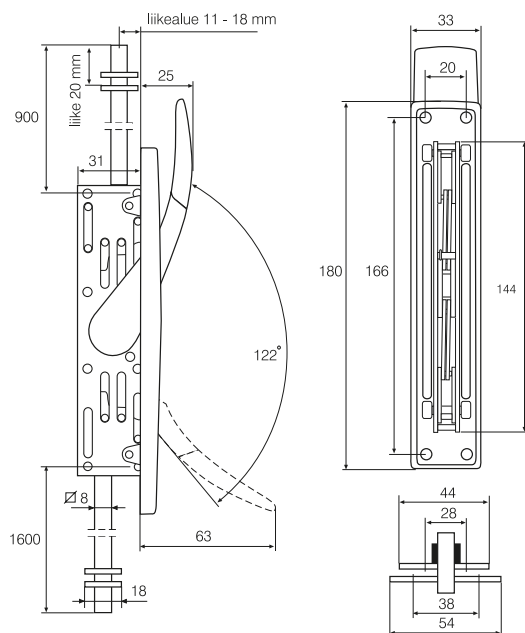
Material: aluminium/plastic.

Finishes: silver-anodized Al/AHO, brass-anodized Al/ME.

Letter plate PRIMO 31 is tested in Finland for EI15 and EI30 – fire doors and dB25, dB30 and dB35 – decibel doors.

Can be used as a replacement for ABLOY® DF60+63 or 464 -letter plates.

Quick bolt



Quick bolt DF3000, DF3001, DF3100 Stainless, DF3101 Stainless

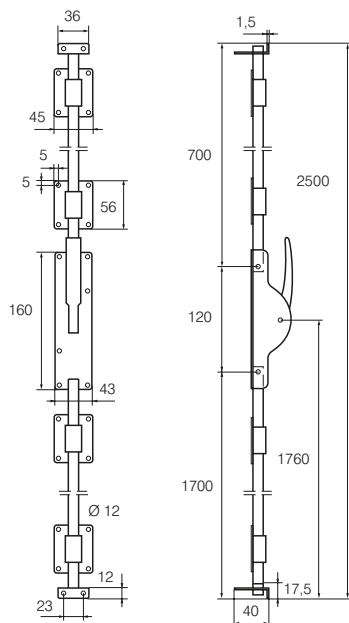
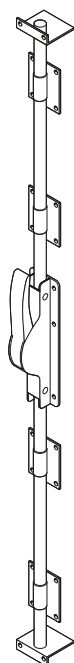
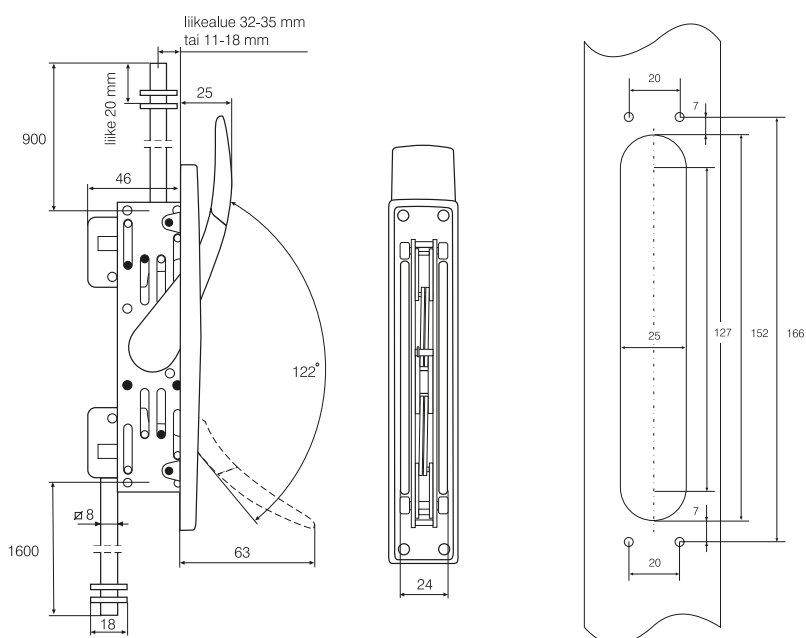
Material: visible parts brass/other parts steel or stainless steel.

Surface finishes: chrome, satin chrome, polished/lacquered.

Quick bolt DF3000 is used for securing the closed half of metal profile and wooden doors without a middle casing. In closed position the bolt opens only by pulling the handle down. A clear sticker instructs the proper use. The bolt has a new quick attachment of locking bars which makes the installation easier. In the basic versions DF3000 ja DF3100 St the position of the locking bars can adjusted 7 mm, 11-18 mm from the surface of the door. The fitting depth of the bolt is only 31 mm.

For certain door profiles special versions DF3001 and DF3101 St are suitable where the fitting depth of the locking bars is 32-35 mm from the door surface. The fitting depth of the bolt is then 46 mm.

The satin-chromed DF3100 and DF3101 bolts made from stainless steel are particularly suitable for humid areas such as on boats or in dairies. All the locking parts of the bolt are made from stainless steel and have satin chromed surface finish.



Quick bolt DF900

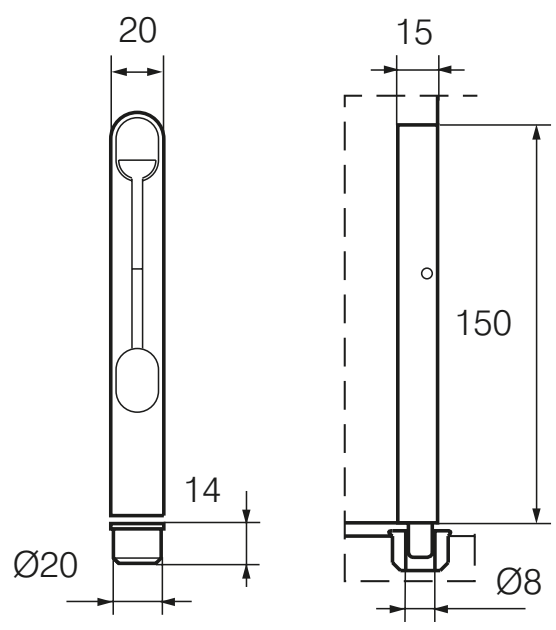
Material: brass.

Surface finishes: polished, chrome.

Surface fitted model with two way function. Used for securing wooden and metal profile double doors.

Wood screws, 2 pcs striker plates, 4 pcs guides included in D.I.Y. packs

Flush bolt



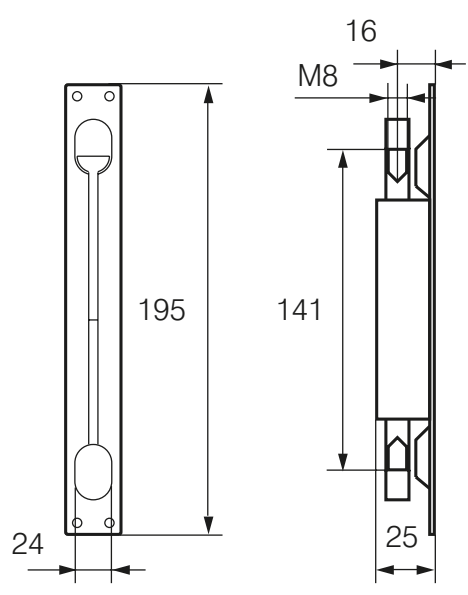
Flush bolt DF849

Material: zinc.

Surface finishes: chromium plated, brass-plated. Flush fitting model.

For use with wooden double doors to secure the closed half of the door, 2 pcs/door.

Adjustable striker plate is plastic.



Flush bolt DF330

Material: steel.

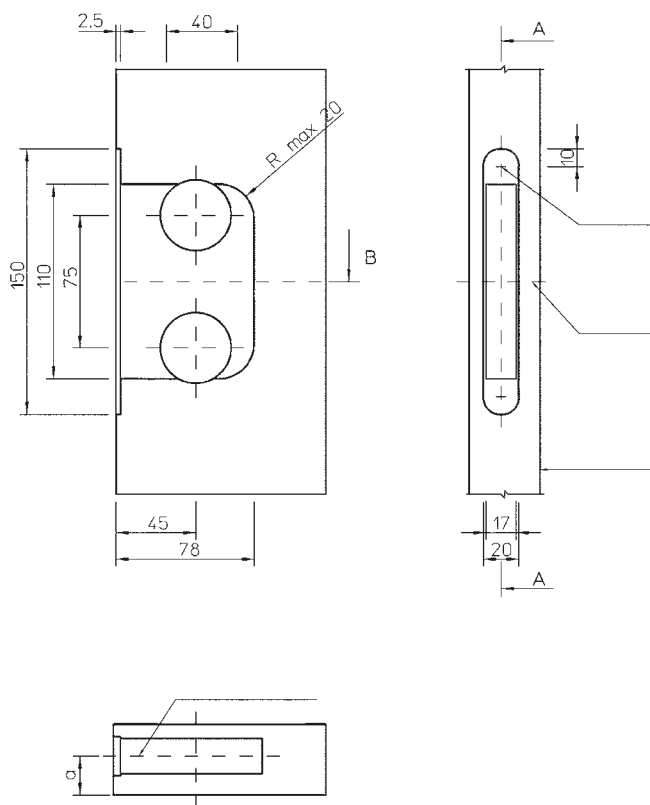
Surface finish: galvanized.

Flush fitting model with two-way function; rods are fitted to the bolt with M8 threading (rods not included in delivery).

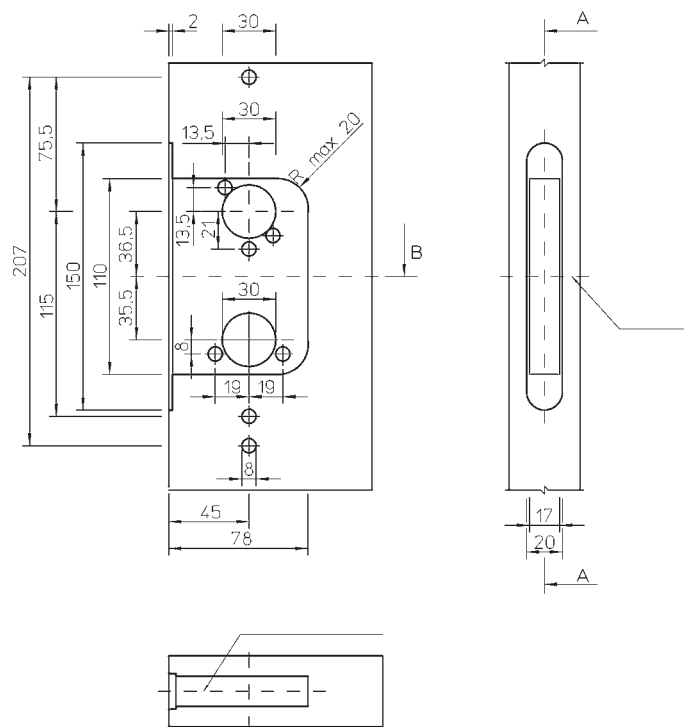
Used for bolting metal profile double doors, 1 pc/door.

Locks for interior doors

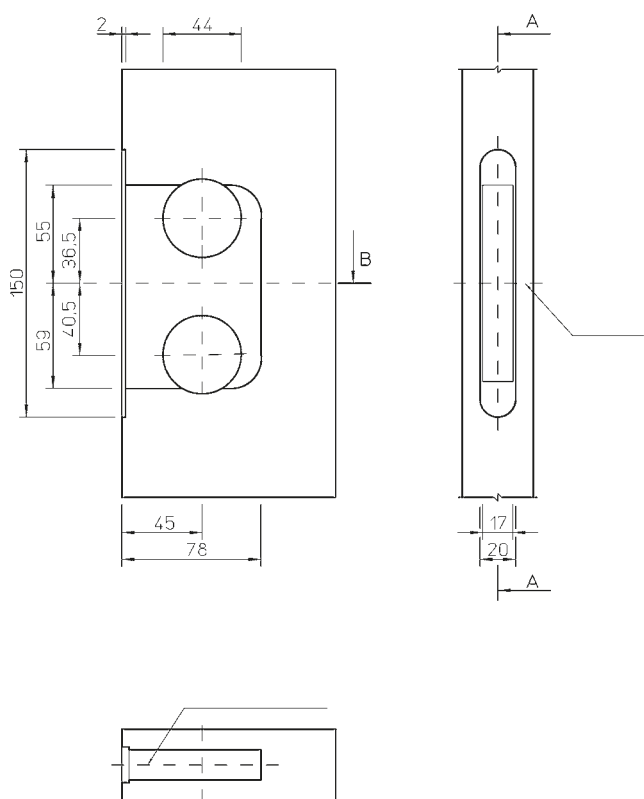
SFS 5210
 SS 81 73 82
 2011, 2014, 2016, 2020, 2040, 4238, 4249, 4260,
 4570, 9456



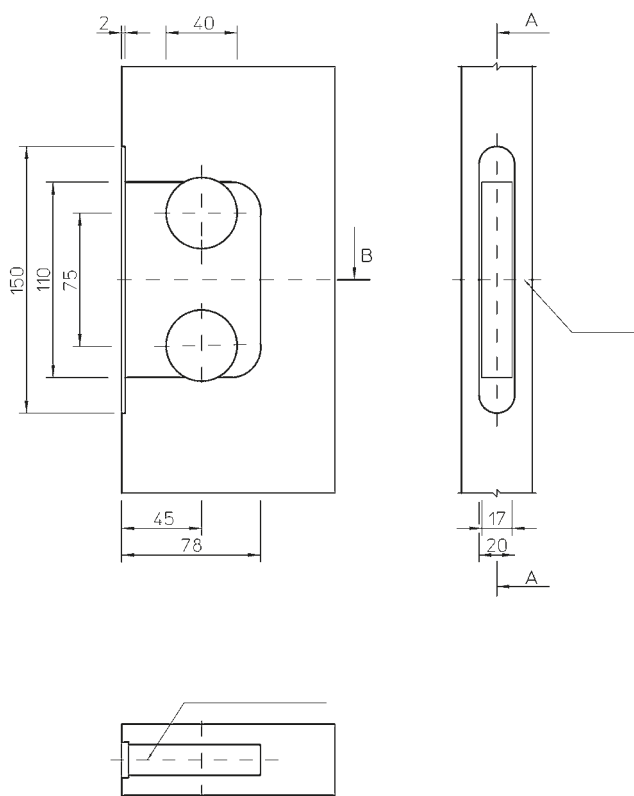
2011, 2014, 2040 with DIN fittings



2018 with ABLOY® 001PZ fittings

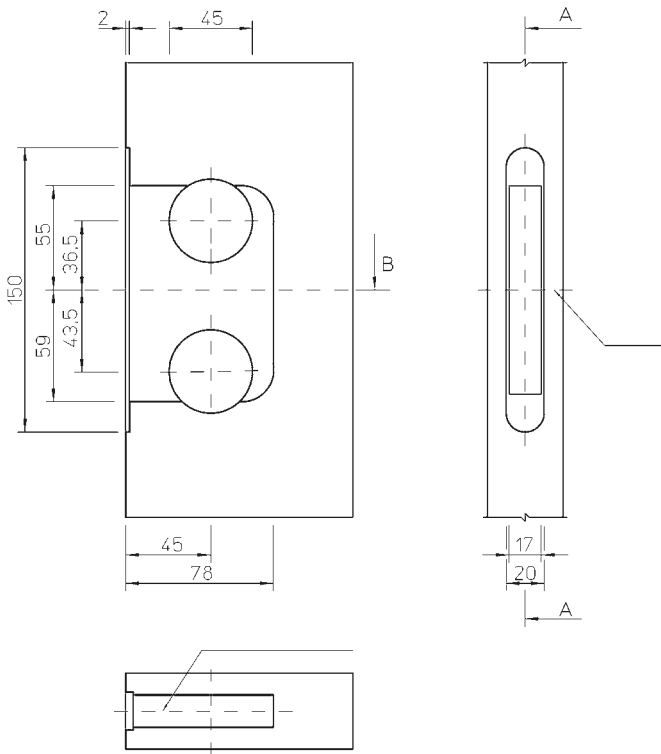


2018 with normal standard fittings

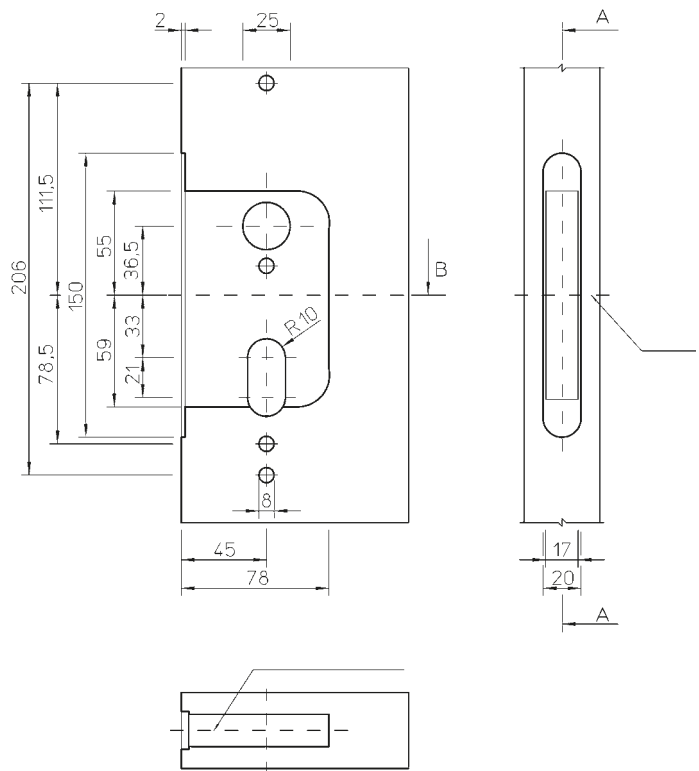


Locks for interior doors

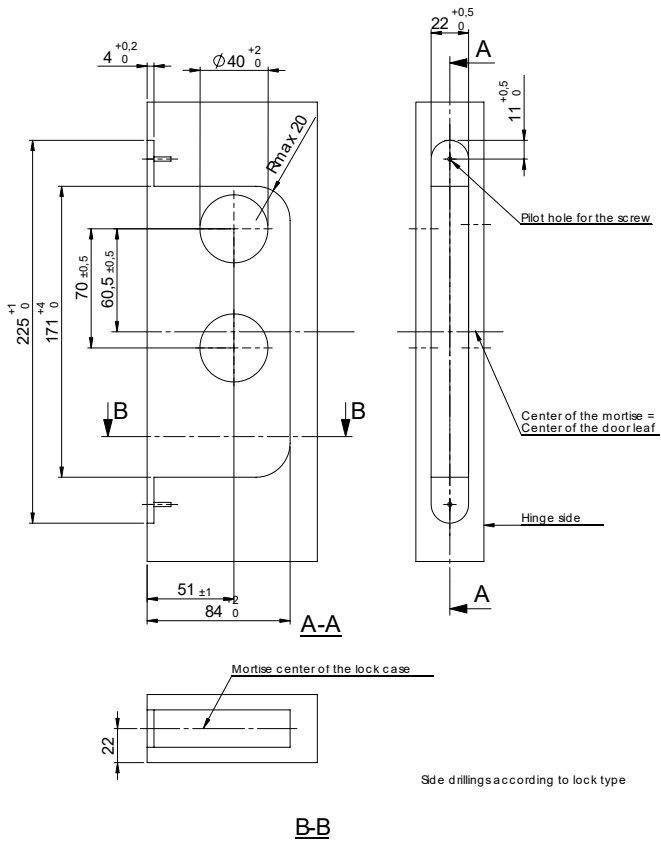
2018 with ABLOY® 004PZ fittings



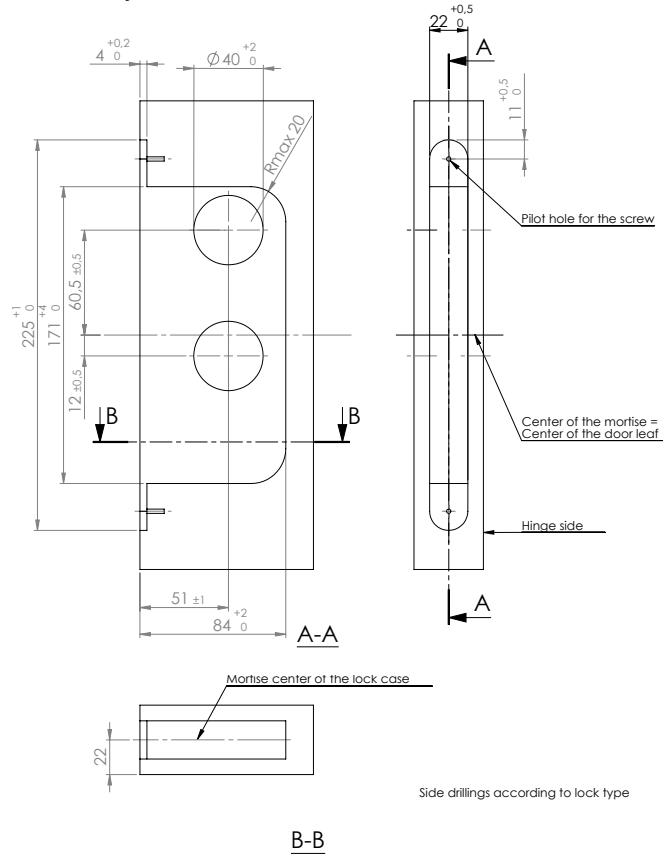
2018 with ABLOY® 010PZ fittings



LC291



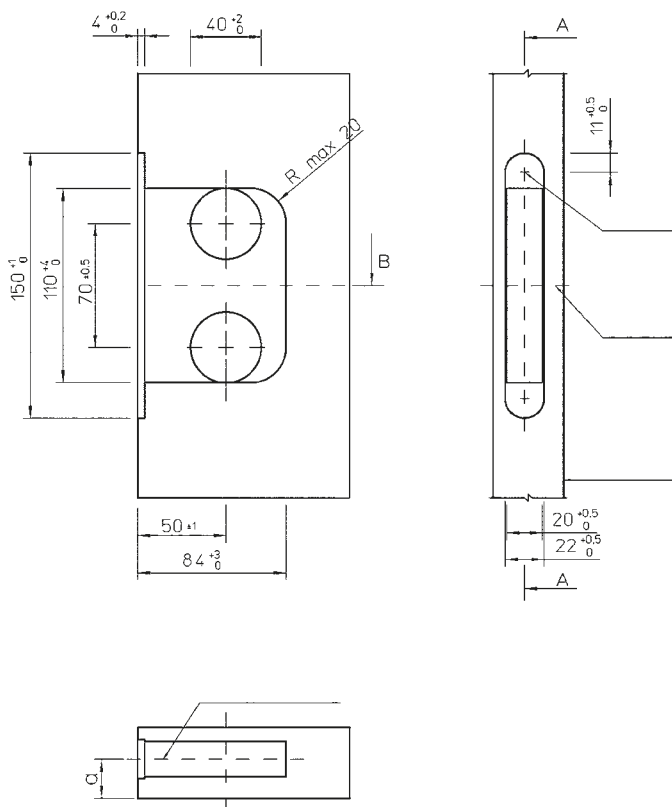
LC291 asymmetrical mortise



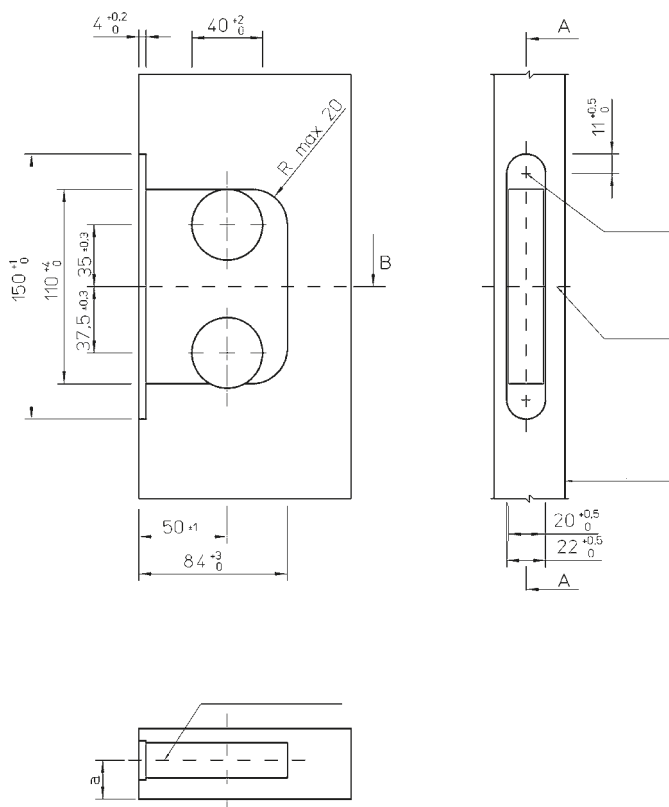
The mortise measures are normative.

Locks for interior doors

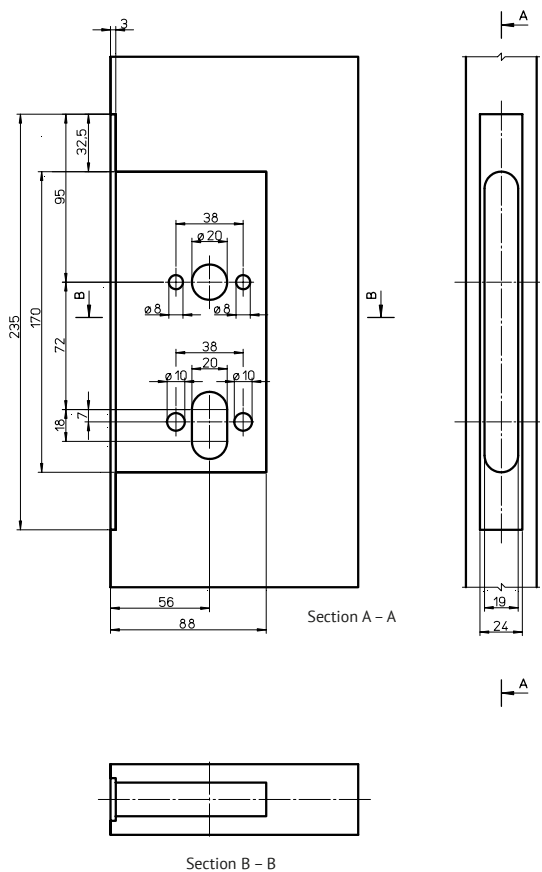
4291



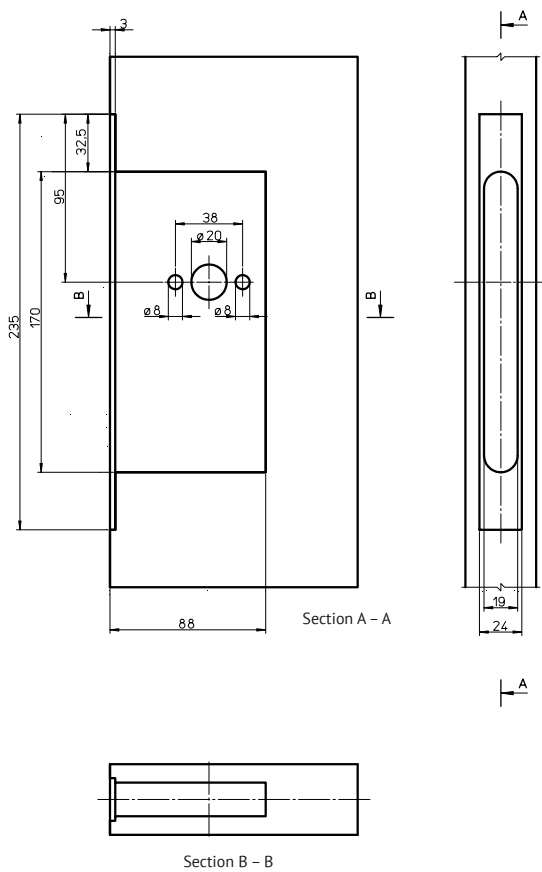
4291 asymmetrical mortise



4202

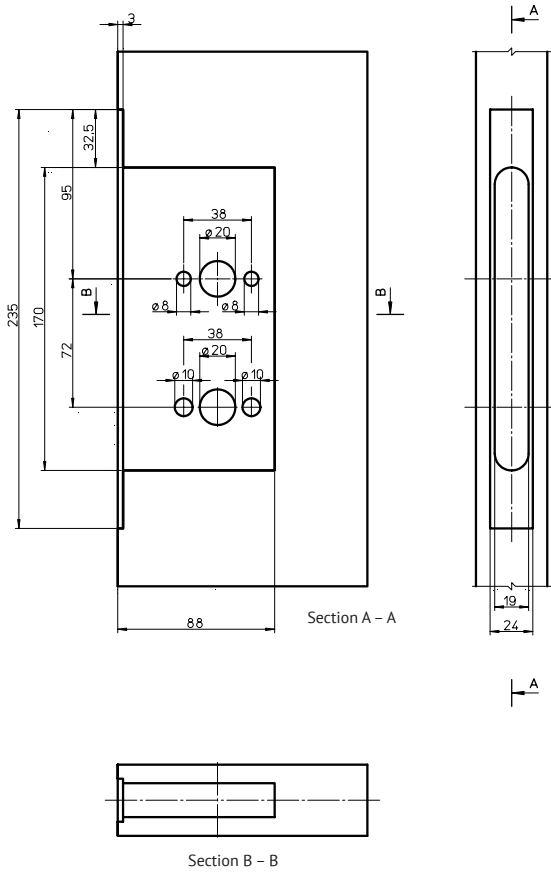


4203

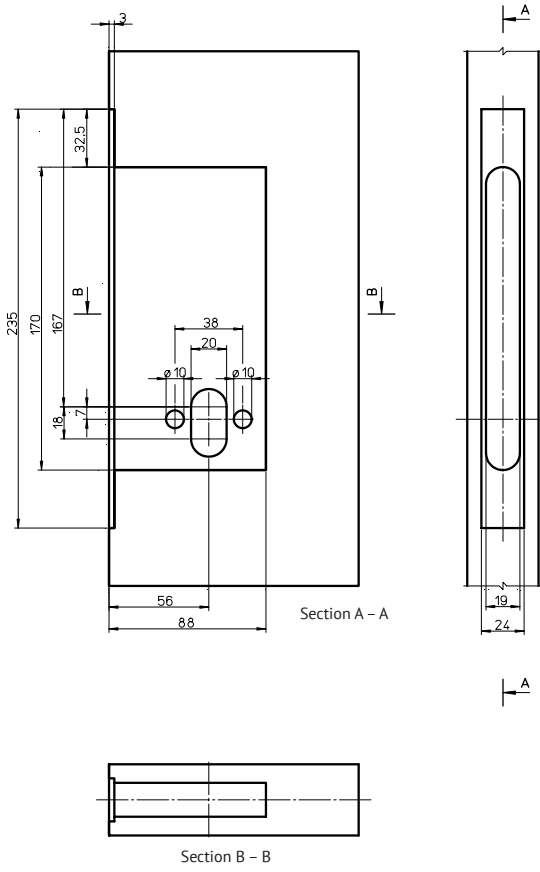


Lock cases for wooden / steel doors

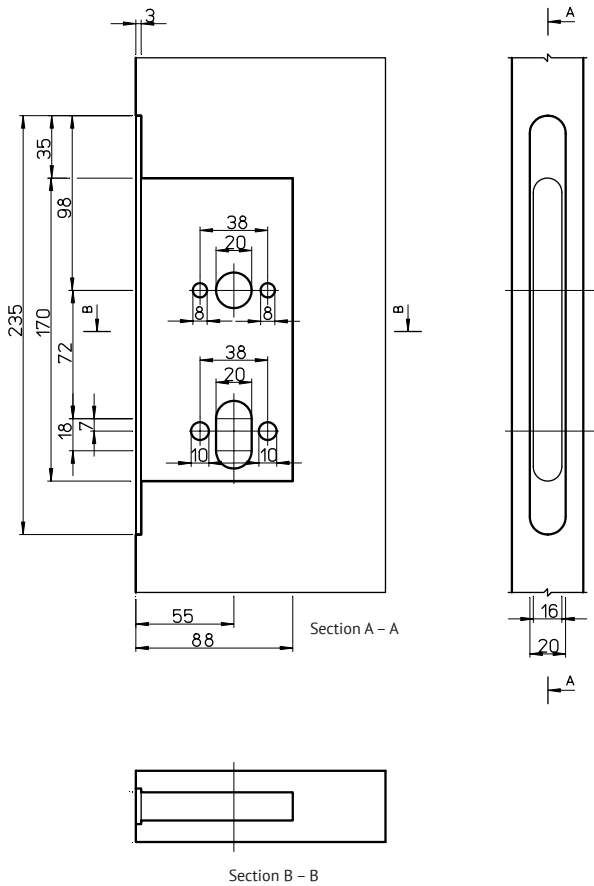
4207



4208



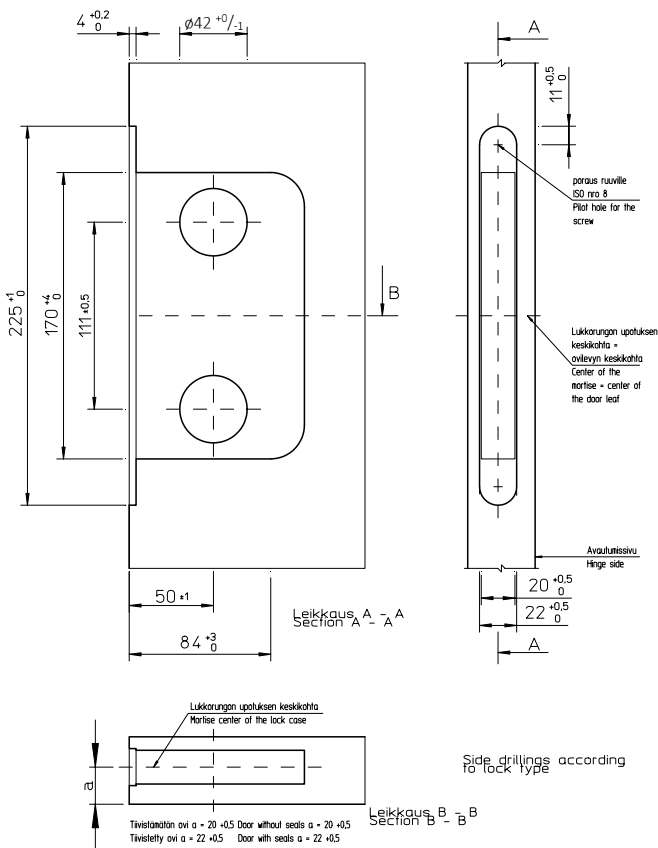
4292



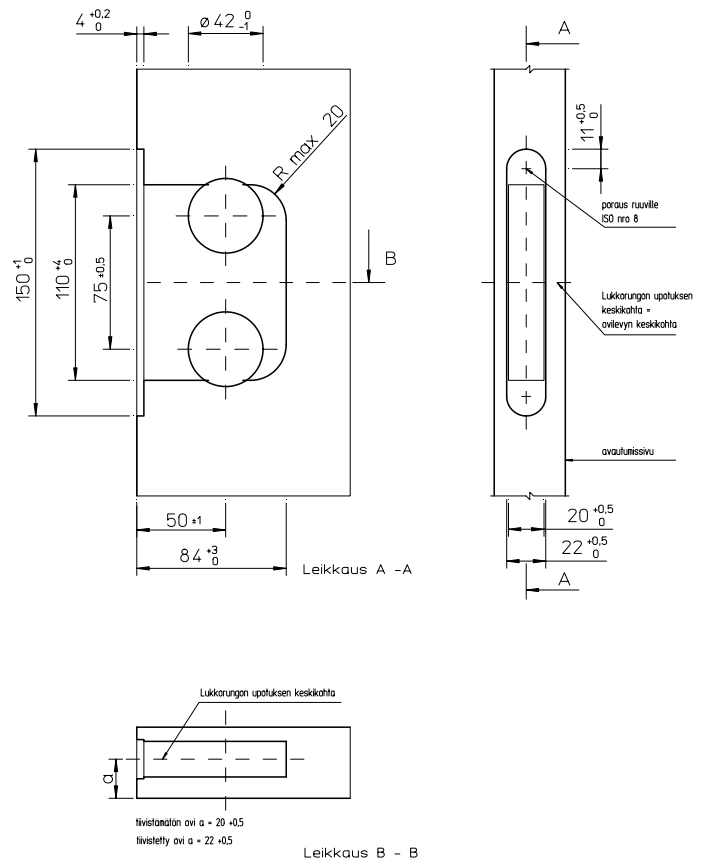
The mortise measures are normative.

Lock cases for wooden / steel doors

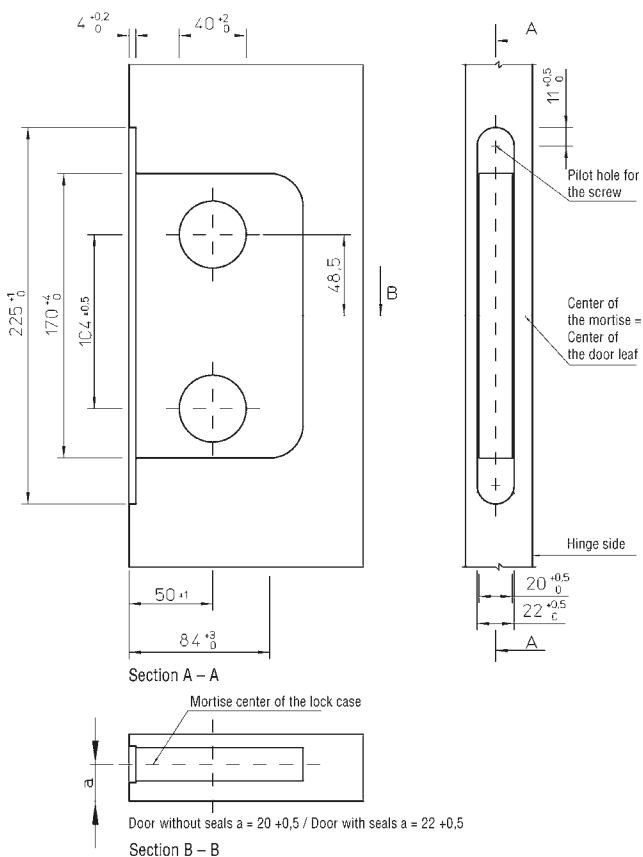
SFS 5208, SS 81 73 83
LC200, LC204, LC210, LC211, 4181



SFS 5209
LC100, 4190, 4194, 4195, 4197,
4290, 4960



ABLOY® LC200 with wc fittings



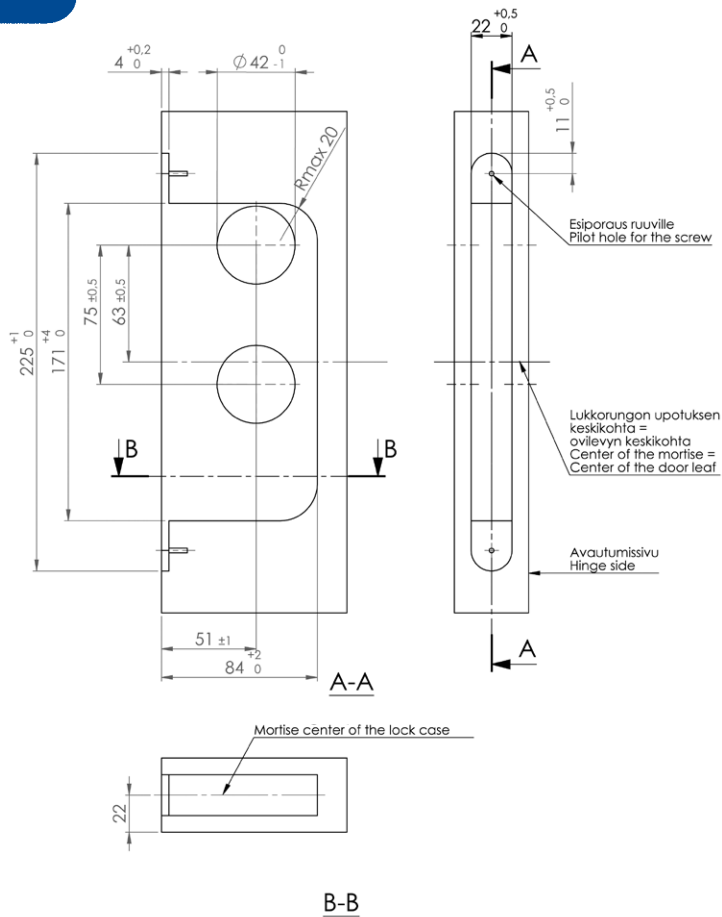
OneFit-mortise

LC190, LC193, LC194,
LC195, LC197

LC290, LC960

LC102

LE180, LE181; LE183,
LE184; LE185, LE186

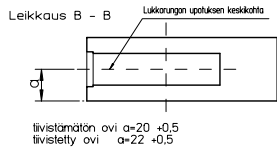
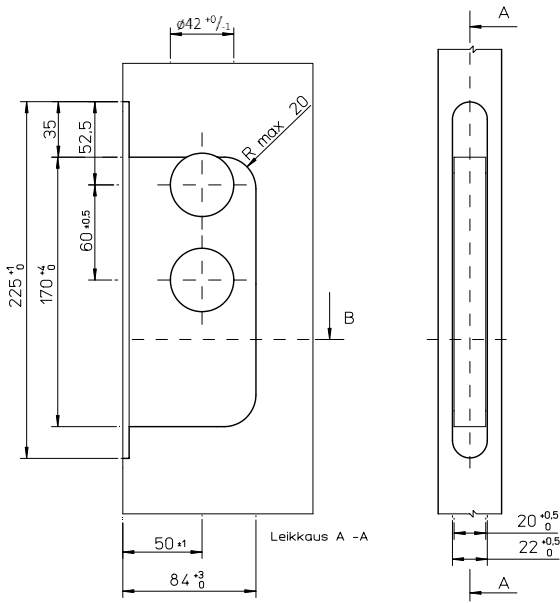


B-B

The mortise measures are normative.

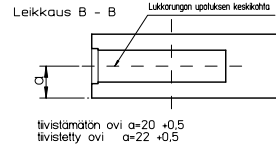
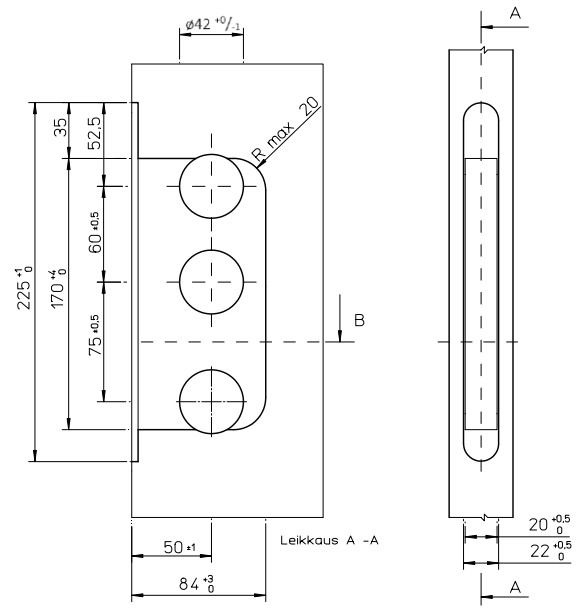
Double cylinder lock cases for wooden / steel doors

LC120, LC122



Upotus: LC120
 LC122
 LC125
 LC127

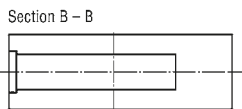
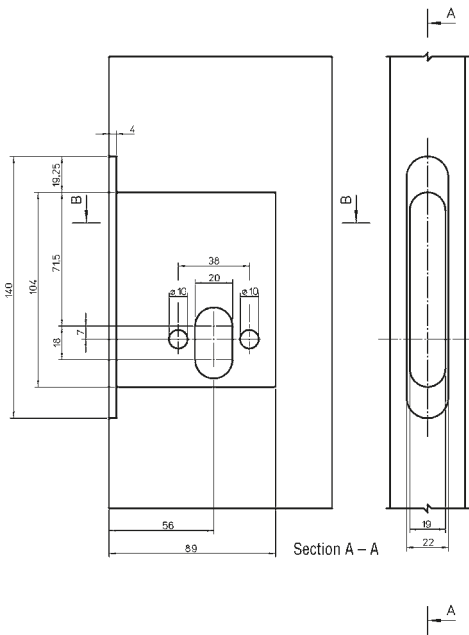
LC121



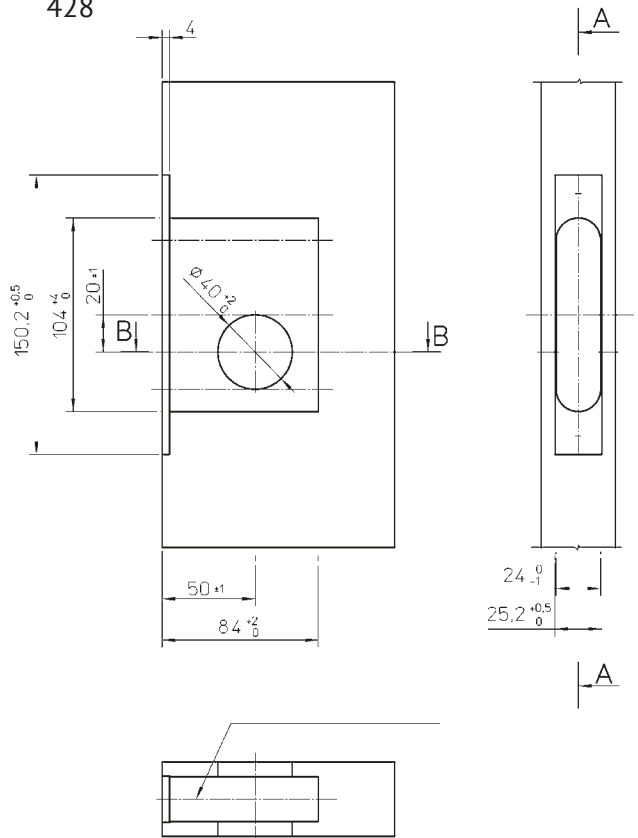
Upotus: LC121
 LC123

Security and additional locks for wooden/steel doors

4232



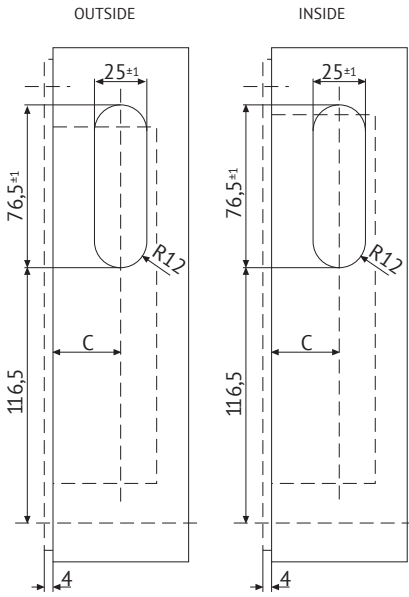
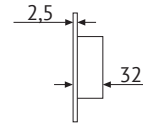
428



Security locks for narrow profile doors

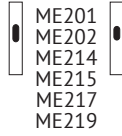
LC306, LC307

Please check drilling scheme dimensions with actual dimensions on lock.

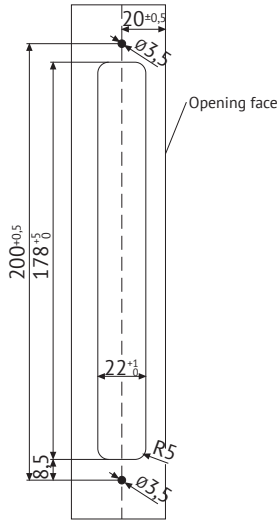


LC306, -7 / 29 C=25
 LC306, -7 / 30,5 C=26,5
 LC306, -7 / 35 C=31
 Tolerances +0,5/-0

OUTSIDE INSIDE

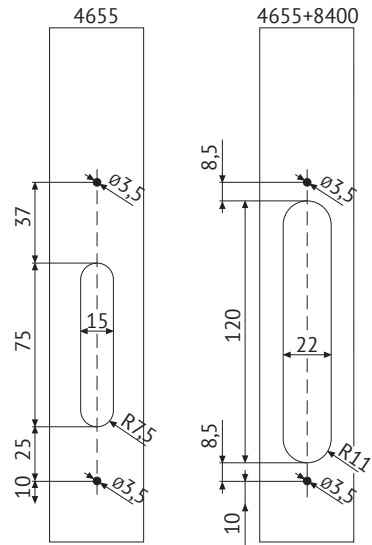


FRONT



ME200:	LC306 /	4655, (+8400) /	CY064
ME201:	LC306 /	4655, (+8400) /	CY063
ME202:	LC306 /	4655, (+8400) /	CY065
ME219:	LC306 /	4655, (+8400) /	CY069 (inner doors only)
ME214:	LC307 /	4655, (+8400) /	CY065
ME215:	LC307 /	4655, (+8400) /	CY063
ME216:	LC307 /	4655, (+8400) /	CY064
ME217:	LC307 /	4655, (+8400) /	CY043

FRAME

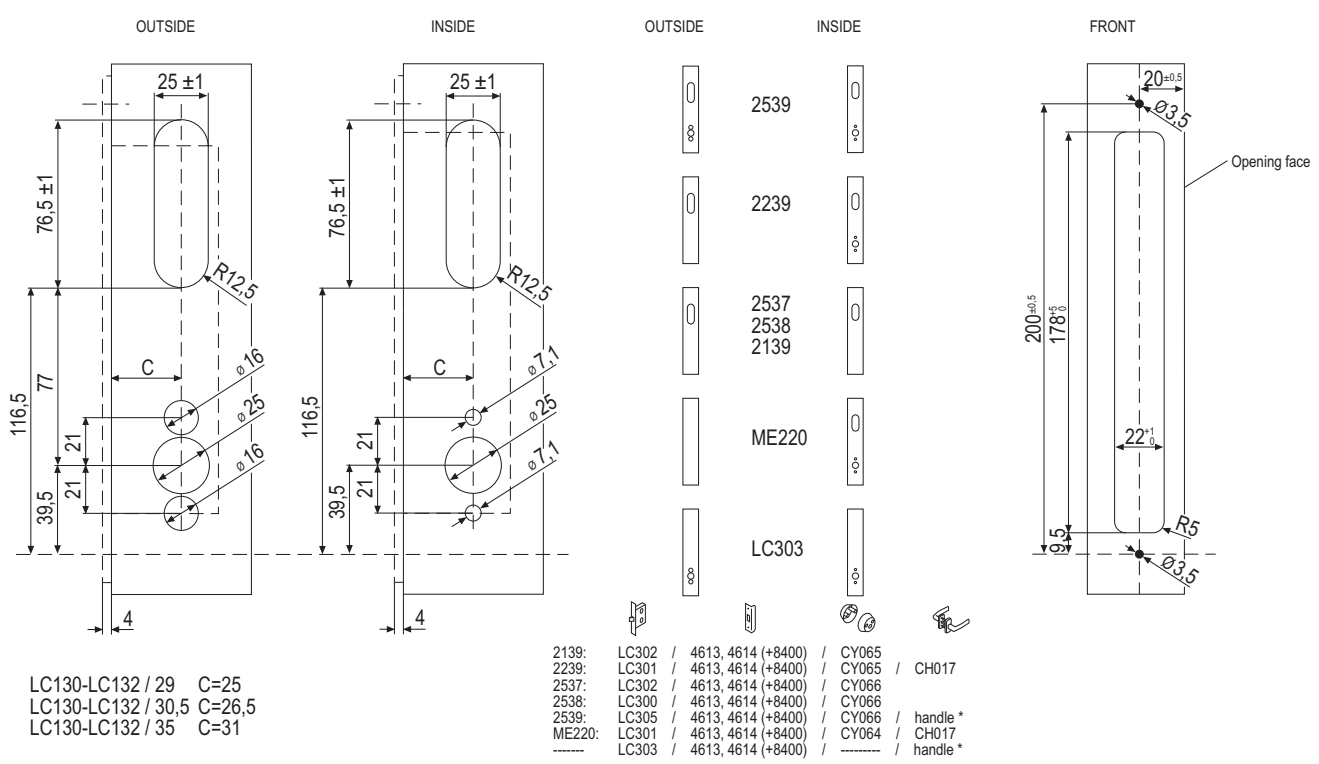


The mortise measures are normative.

Lock cases for narrow profile doors

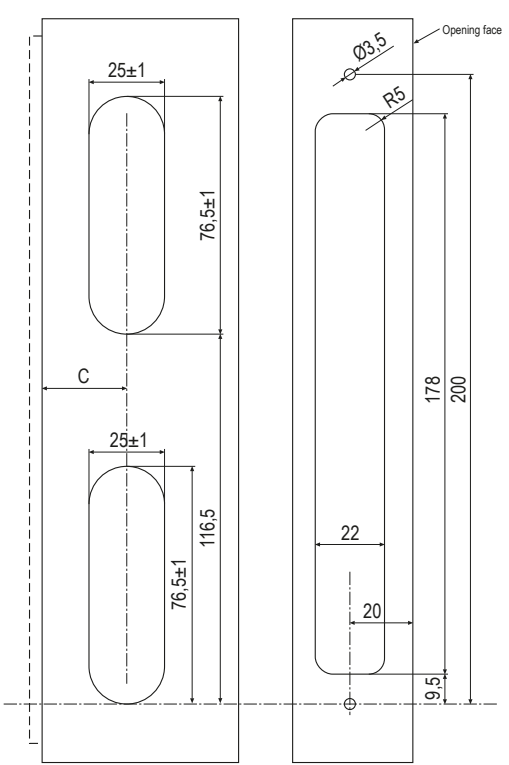
LC300, LC301, LC301F,
LC302, LC303, LC305

Please check drilling scheme dimensions with actual dimensions on lock.



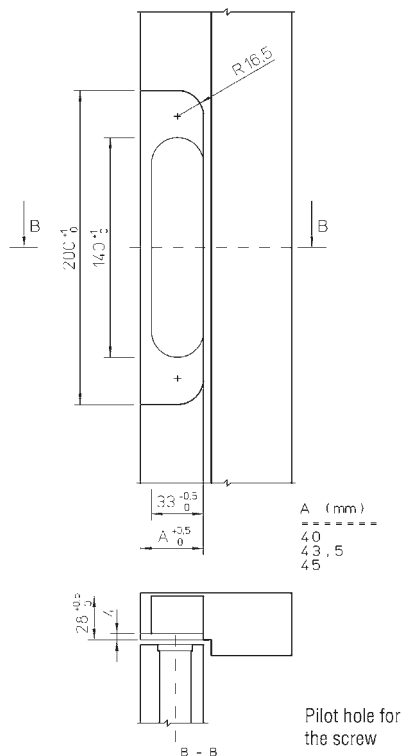
Double cylinder lock cases for narrow profile doors

LC130, LC131, LC132

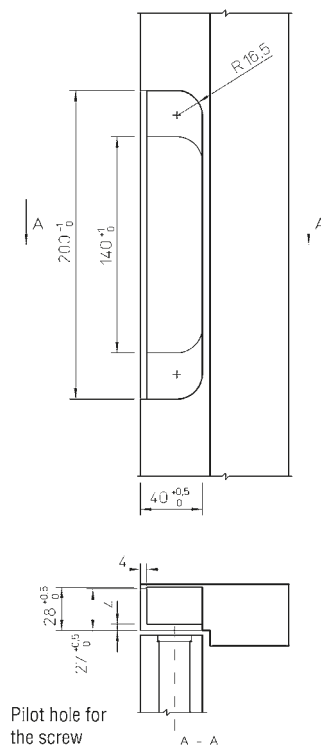


Striker plates

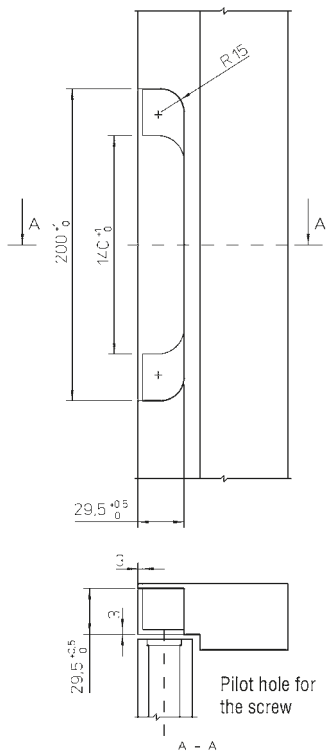
LP711, LP712, LP713, LP714, LP717, LP718, LP719, LP719L



LP721, LP722, LP723

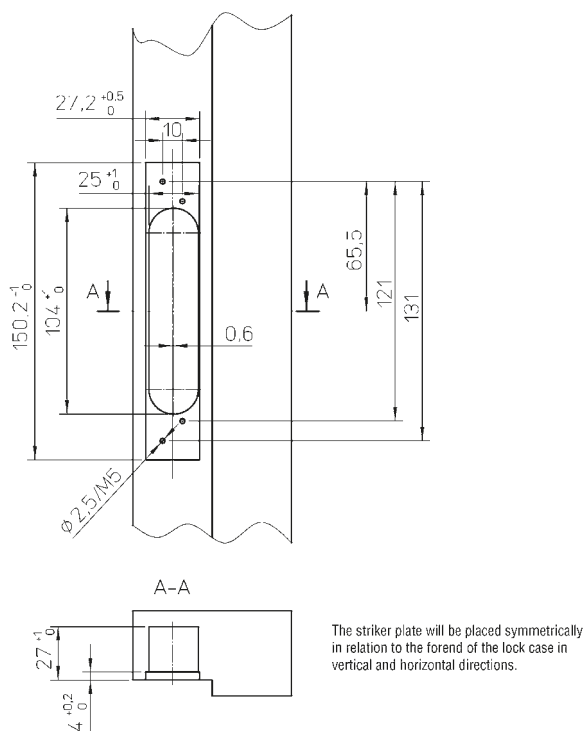


LP731, LP732

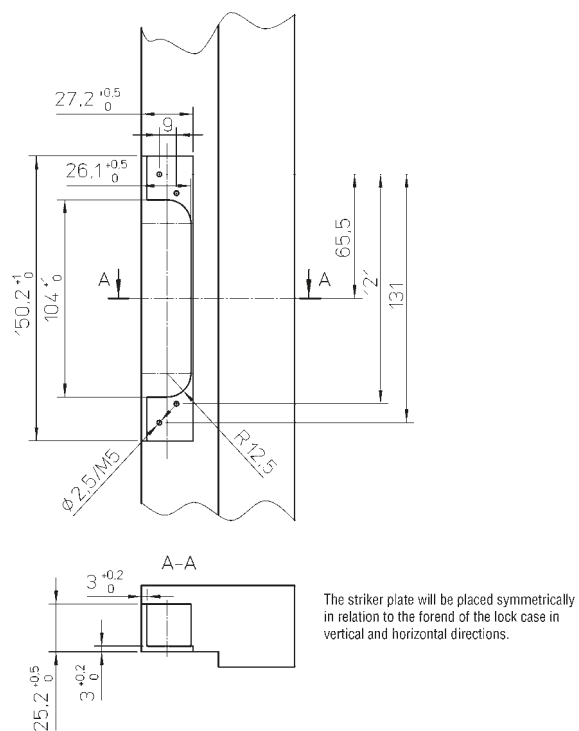


Striker plates

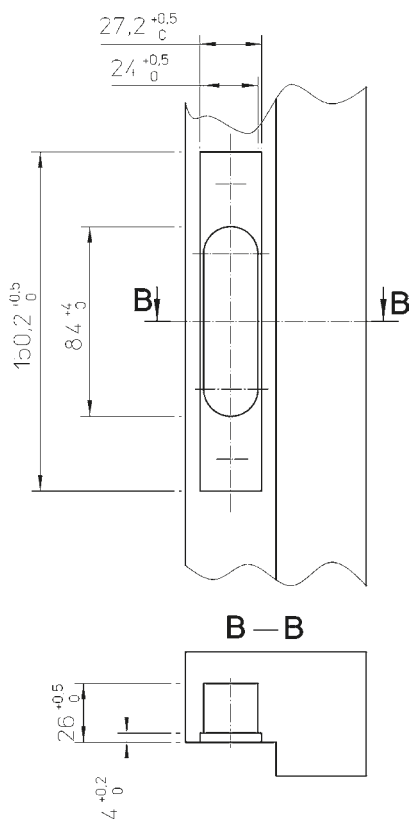
LP780



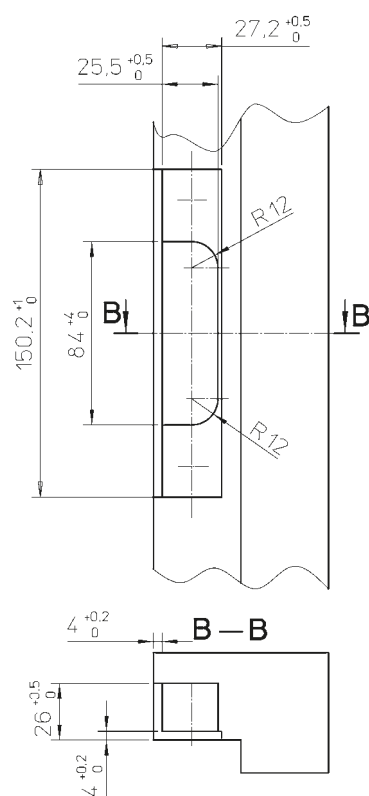
LP781



0036



0065





ABLOY secures people, property, and business operations on land, at sea, and in the air – in all circumstances.

ASSA ABLOY is the global leader in door opening solutions, dedicated to satisfying end-user needs for security, safety and convenience.

MANUFACTURER:

Abloy Oy

Wahlforssinkatu 20
P.O. Box 108
FI-80101 Joensuu | Finland
Tel. +358 20 599 2501
WWW.ABLOY.COM

