

316L range

Rosette



Fixed knob



Long plate



Half knob on long plate



Square plate



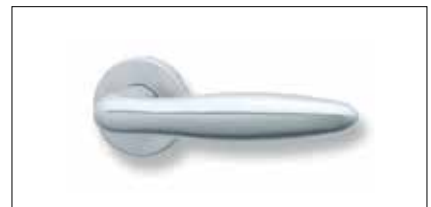
Vector



Xara



Zafira



Cubo



Tundra



Planho



Institutional stainless AISI 316L handle

Sena AISI 316L

The pack with a rosette includes

- » A set of handles with an internal plate and a cover, a 8x105 mm spindle, 2 recoil springs, 4 coach screws, 2 bolts and an Allen key.

The pack with a long plate includes

- » A set of handles with an internal plate and a cover, a 8x105 mm spindle, 2 recoil springs, 4 coach screws, 2 bolts and an Allen key.
- » Rectangular plate also available

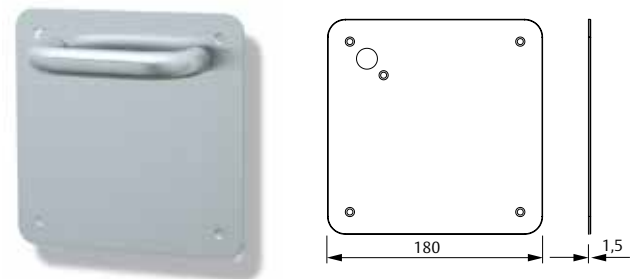
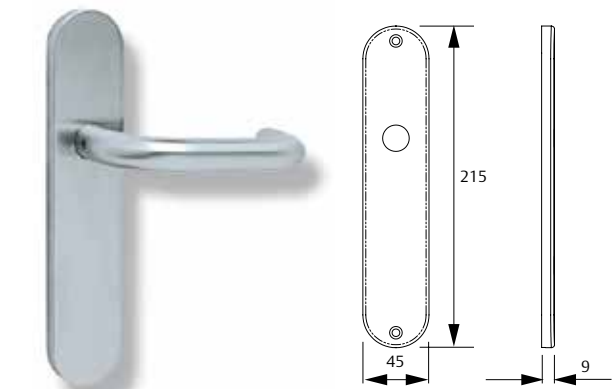
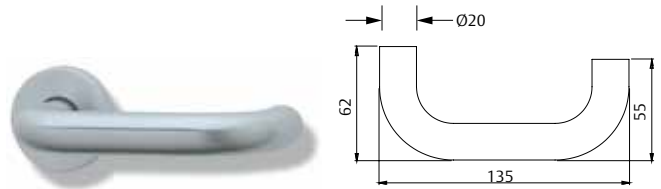
The pack with a squared plate includes

- » A set of handles with a 1'5 mm-thick internal plate and a cover, a 8x105 mm spindle, 2 recoil springs, 5 floating through bolts, 5 screws, 2 bolts and an Allen key.

Functions

- » Entrance: keyhole at 85, 72, 70 and 47 mm.
- » Privacy: deadbolt at 85, 72, 70 and 47 mm.
- » Passage.

Rosette	Product code	Finishes
Rosette	MS5R800	IS16
Rosette	MMTFR800	IS16 1/2 Fixed knob + CUADRAE
Rosette	MSTFR800	IS16 1/2 Fixed knob + CUADRAE + 1/2 Sena
Rosette	MTF5R800	IS16 Double Fixed knob + 2 CUADRAE
Long plate	Product code	Finishes
Passage	MS5L800	IS16
Rectangular	MS5LR800	IS16
Cylinder at 47 mm	MS0L847	IS16
Cylinder at 70 mm	MS0L870	IS16
Cylinder at 72 mm	MS0L872	IS16
Cylinder at 85 mm	MS0L885	IS16
Deadbolt at 47 mm	MSEL847	IS16
Deadbolt at 70 mm	MSEL870	IS16
Deadbolt at 72 mm	MSEL872	IS16
Deadbolt at 85 mm	MSEL885	IS16
Square plate	Product code	Finishes
Pasagge	MS5C800	IS16
Cylinder at 47 mm	MS0C847	IS16
Cylinder at 70 mm	MS0C870	IS16
Cylinder at 72 mm	MS0C872	IS16
Cylinder at 85 mm	MS0C885	IS16
Deadbolt at 47 mm	MS3C847	IS16
Deadbolt at 70 mm	MS3C870	IS16
Deadbolt at 72 mm	MS3C872	IS16
Deadbolt at 85 mm	MS3C885	IS16



Institutional stainless AISI 316L handle

Vector AISI 316L

The pack with a rosette includes

- » A set of handles with an internal plate and a cover, 1 8x105 mm spindle, 2 recoil springs, 4 coach screws, 2 bolts and an Allen key.

The pack with a long plate includes

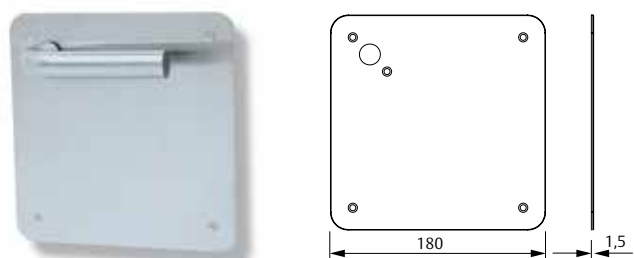
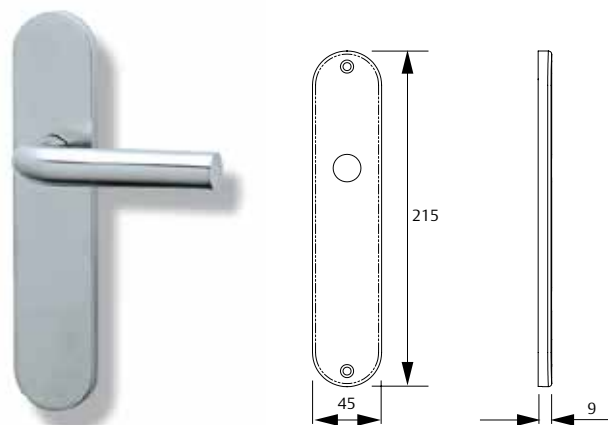
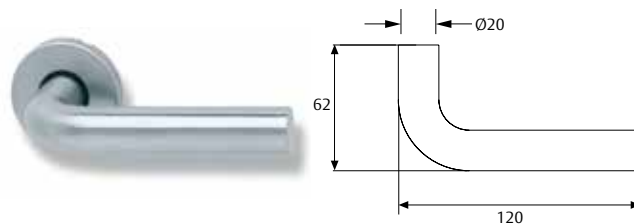
- » A set of handles with an internal plate and a cover, a 8x105 mm spindle, 2 recoil springs, 4 coach screws, 2 bolts and an Allen key.
- » Rectangular plate also available

The pack with a squared plate includes

- » A set of handles with a 1'5 mm-thick internal plate and a cover, a 8x105 mm spindle, 2 recoil springs, 5 floating through bolts, 5 screws, 2 bolts and an Allen key.

Functions

- » Entrance: keyhole at 85, 72, 70 and 47 mm.
- » Privacy: deadbolt at 85, 72, 70 and 47 mm.
- » Passage.



Institutional stainless AISI 316L handle

Xara AISI 316L

The pack with a rosette includes

- » A set of handles with an internal plate and a cover, a 8x105 mm spindle, 2 recoil springs, 4 coach screws, 2 bolts and an Allen key.

The pack with a long plate includes

- » A set of handles with an internal plate and a cover, a 8x105 mm spindle, 2 recoil springs, 4 coach spindle, 2 bolts and an Allen key.
- » Rectangular plate also available

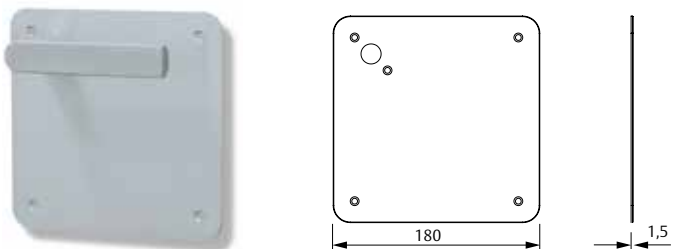
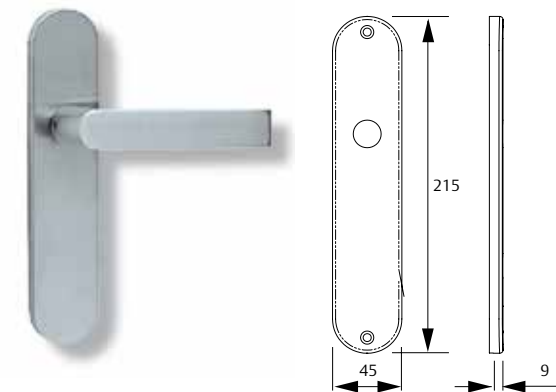
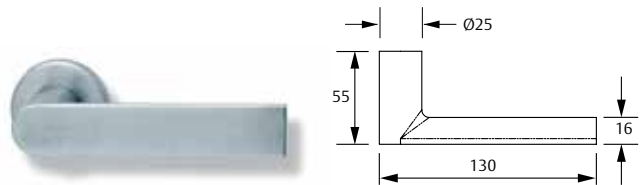
The pack with a squared plate includes

- » A set of handles with a 1'5 mm-thick internal plate and a cover, a 8x105 mm square, 2 recoil springs, 5 floating through bolts, 5 screws, 2 bolts and an Allen key.

Functions

- » Entrance: keyhole at 85, 72, 70 and 47 mm.
- » Privacy: deadbolt at 85, 72, 70 and 47 mm.
- » Passage.

Rosette	Product code	Finish
Rosette	MX5R800	IS
Long plate	Product code	Finish
Passage	MX5L800	IS16
Cylinder at 47 mm	MX0L847	IS16
Cylinder at 70 mm	MX0L870	IS16
Cylinder at 72 mm	MX0L872	IS16
Cylinder at 85 mm	MX0L885	IS16
Deadbolt at 47 mm	MXEL847	IS16
Deadbolt at 70 mm	MXEL870	IS16
Deadbolt at 72 mm	MXEL872	IS16
Deadbolt at 85 mm	MXEL885	IS16
Square plate	Product code	Finish
Passage	MX5C800	IS16
Cylinder at 47 mm	MX0C847	IS16
Cylinder at 70 mm	MX0C870	IS16
Cylinder at 72 mm	MX0C872	IS16
Cylinder at 85 mm	MX0C885	IS16
Deadbolt at 47 mm	MX3C847	IS16
Deadbolt at 70 mm	MX3C870	IS16
Deadbolt at 72 mm	MX3C872	IS16
Deadbolt at 85 mm	MX3C885	IS16

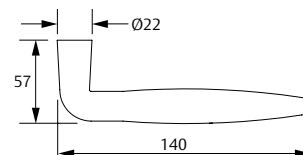


Institutional stainless AISI 316L handle

Zafira AISI 316L

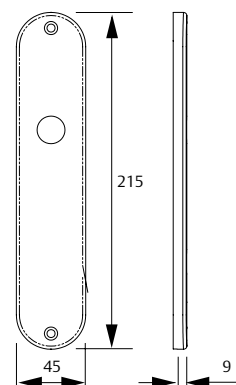
The pack with a rosette includes

- » A set of handles with an internal plate and a cover, a 8x105 mm spindle, 2 recoil springs, 4 coach screws, 2 bolts and an Allen key.



The pack with a long plate includes

- » A set of handles with an internal plate and a cover, a 8x105 mm spindle, 2 recoil springs, 4 coach screws, 2 bolts and an Allen key.
- » Rectangular plate also available.



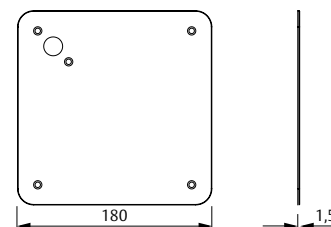
The pack with a squared plate includes

- » A set of handles with a 1'5 mm-thick internal plate and a cover, a 8x105 mm spindle, 2 recoil springs, 5 floating through bolts, 5 screws, 2 bolts and an Allen key.

Functions

- » Entrance: keyhole at 85, 72, 70 and 47 mm.
- » Privacy: deadbolt at 85, 72, 70 and 47 mm.
- » Passage.

Rosette	Product code	Finish
Rosette	MZ5R800	IS16
Long plate	Product code	Finish
Passage	MZ5L800	IS16
Cylinder at 47 mm	MZ0L847	IS16
Cylinder at 70 mm	MZ0L870	IS16
Cylinder at 72 mm	MZ0L872	IS16
Cylinder at 85 mm	MZ0L885	IS16
Deadbolt at 47 mm	MZEL847	IS16
Deadbolt at 70 mm	MZEL870	IS16
Deadbolt at 72 mm	MZEL872	IS16
Deadbolt at 85 mm	MZEL885	IS16
Square plate	Product code	Finish
Passage	MZ5C800	IS16
Cylinder at 47 mm	MZ0C847	IS16
Cylinder at 70 mm	MZ0C870	IS16
Cylinder at 72 mm	MZ0C872	IS16
Cylinder at 85 mm	MZ0C885	IS16
Deadbolt at 47 mm	MZ3C847	IS16
Deadbolt at 70 mm	MZ3C870	IS16
Deadbolt at 72 mm	MZ3C872	IS16
Deadbolt at 85 mm	MZ3C885	IS16



Institutional stainless AISI 316L handle

Sector AISI 316L

The pack with a rosette includes

- » A set of handles with an internal plate and a cover, a 8x105 mm spindle, 2 recoil springs, 4 coach screws, 2 bolts and an Allen key.

The pack with a long plate includes

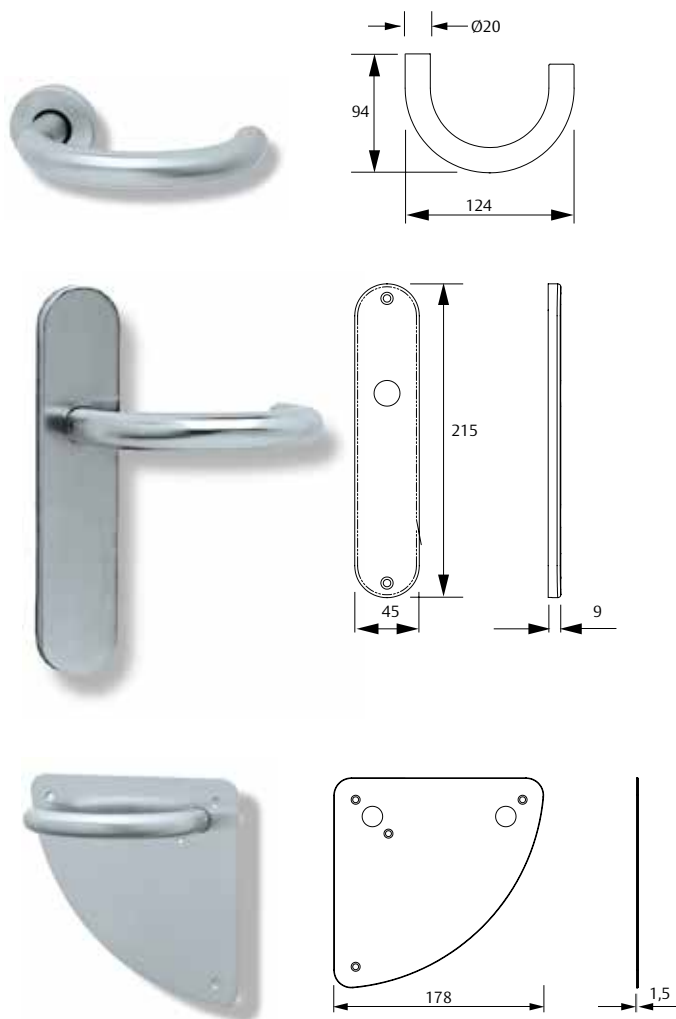
- » A set of handles with an internal plate and a cover, a 8x105 mm spindle, 2 recoil springs, 4 coach screws, 2 bolts and an Allen key.
- » Rectangular plate also available.

The pack with a squared plate includes

- » A set of handles with a 1'5 mm-thick internal plate and a cover, a 8x105 mm spindle, 2 recoil springs, 5 floating through bolts, 5 screws, 2 bolts and an Allen key.

Functions

- » Entrance: keyhole at 85, 72, 70 and 47 mm.
- » Privacy: deadbolt at 85, 72, 70 and 47 mm.
- » Passage.



Rosette	Product code	Finish
Rosette	MSE5R800	IS16
Long plate	Product code	Finish
Passage	MSE5L800	IS16
Cylinder at 47 mm	MSE0L847	IS16
Cylinder at 70 mm	MSE0L870	IS16
Cylinder at 72 mm	MSE0L872	IS16
Cylinder at 85 mm	MSE0L885	IS16
Deadbolt at 47 mm	MSEEL847	IS16
Deadbolt at 70 mm	MSEEL870	IS16
Deadbolt at 72 mm	MSEEL872	IS16
Deadbolt at 85 mm	MSEEL885	IS16
Square plate	Product code	Finish
Passage	MSE5S800	IS16
Cylinder at 47 mm	MSE0S847	IS16
Cylinder at 70 mm	MSE0S870	IS16
Cylinder at 72 mm	MSE0S872	IS16
Cylinder at 85 mm	MSE0S885	IS16
Deadbolt at 47 mm	MSE3S847	IS16
Deadbolt at 70 mm	MSE3S870	IS16
Deadbolt at 72 mm	MSE3S872	IS16
Deadbolt at 85 mm	MSE3S885	IS16



Institutional stainless AISI 316L handle

Cubo AISI 316L

The pack with a rosette includes

- » A set of handles with an internal plate and a cover, a 8x105 mm spindle, 2 recoil springs, 4 coach screws, 2 bolts and an Allen key.

The pack with a long plate includes

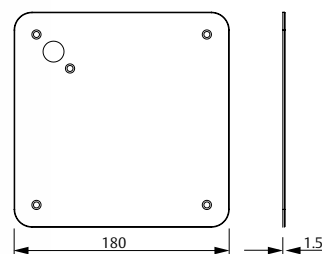
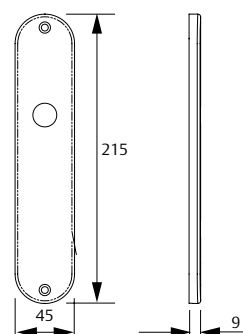
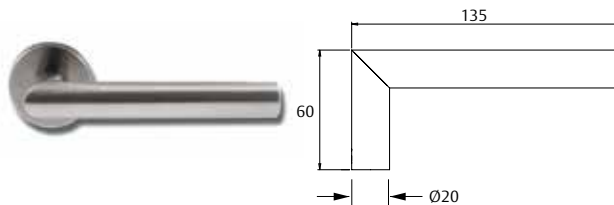
- » A set of handles with an internal plate and a cover, a 8x105 mm spindle, 2 recoil springs, 4 coach screws, 2 bolts and an Allen key.
- » Rectangular plate also available.

The pack with a squared plate includes

- » A set of handles with a 1'5 mm-thick internal plate and a cover, a 8x105 mm spindle, 2 recoil springs, 5 floating through bolts, 5 screws, 2 bolts and an Allen key.

Functions

- » Entrance: keyhole at 85, 72, 70 and 47 mm.
- » Privacy: deadbolt at 85, 72, 70 and 47 mm.
- » Passage.



Rosette	Product code	Finish
Rosette	MC5R800	IS16
Long plate	Product code	Finish
Passage	MC5L800	IS16
Cylinder at 47 mm	MC0L847	IS16
Cylinder at 70 mm	MC0L870	IS16
Cylinder at 72 mm	MC0L872	IS16
Cylinder at 85 mm	MC0L885	IS16
Deadbolt at 47 mm	MCEL847	IS16
Deadbolt at 70 mm	MCEL870	IS16
Deadbolt at 72 mm	MCEL872	IS16
Deadbolt at 85 mm	MCEL885	IS16
Square plate	Product code	Finish
Passage	MC5C800	IS16
Cylinder at 47 mm	MC0C847	IS16
Cylinder at 70 mm	MC0C870	IS16
Cylinder at 72 mm	MC0C872	IS16
Cylinder at 85 mm	MC0C885	IS16
Deadbolt at 47 mm	MC3C847	IS16
Deadbolt at 70 mm	MC3C870	IS16
Deadbolt at 72 mm	MC3C872	IS16
Deadbolt at 85 mm	MC3C885	IS16

Institutional stainless AISI 316L handle

Planho AISI 316L

The pack with a rosette includes

- » A set of handles with an internal plate and a cover, a 8x105 mm spindle, 2 recoil springs, 4 coach screws, 2 bolts and an Allen key.

The pack with a long plate includes

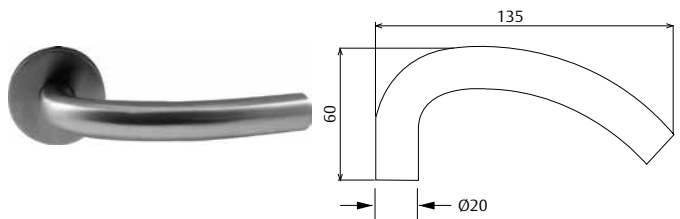
- » A set of handles with an internal plate and a cover, a 8x105 mm spindle, 2 recoil springs, 4 coach screws, 2 bolts and an Allen key.
- » Rectangular plate also available.

The pack with a squared plate includes

- » A set of handles with a 1'5 mm-thick internal plate and a cover, a 8x105 mm spindle, 2 recoil springs, 5 floating through bolts, 5 screws, 2 bolts and an Allen key.

Functions

- » Entrance: keyhole at 85, 72, 70 and 47 mm.
- » Privacy: deadbolt at 85, 72, 70 and 47 mm.
- » Passage.



Rosette	Product code	Finish
Rosette	MP5R800	IS16
Long plate	Product code	Finish
Passage	MP5L800	IS16
Cylinder at 47 mm	MP0L847	IS16
Cylinder at 70 mm	MP0L870	IS16
Cylinder at 72 mm	MP0L872	IS16
Cylinder at 85 mm	MP0L885	IS16
Deadbolt at 47 mm	MPEL847	IS16
Deadbolt at 70 mm	MPEL870	IS16
Deadbolt at 72 mm	MPEL872	IS16
Deadbolt at 85 mm	MPEL885	IS16
Square plate	Product code	Finish
Passage	MP5C800	IS16
Cylinder at 47 mm	MP0C847	IS16
Cylinder at 70 mm	MP0C870	IS16
Cylinder at 72 mm	MP0C872	IS16
Cylinder at 85 mm	MP0C885	IS16
Deadbolt at 47 mm	MP3C847	IS16
Deadbolt at 70 mm	MP3C870	IS16
Deadbolt at 72 mm	MP3C872	IS16
Deadbolt at 85 mm	MP3C885	IS16

Institutional leverset for emergency exits

Certified product EN179:2008

Sena Inox AISI 316L

Main features

- » Up to 200 kg doors
- » Unlock capacity < 70 N
- » Durability 200.000 cycles
- » E Fire resistance (integrity),
- » I (isolation), B grade
- » This product is certified as a set with CF60 (9 mm spindle) and 2035T, 2037F and 4039T (8 mm spindle).

Certification EN 179:

3 7 6 B 1 3 2 2 A B

Category of use	Durability	Door mass	Suitability	Safety	Resistance	Security	Projection	Type of operation	Field of application
3	7	6	B	1	3	2	2	A	B
High frequency use	Grade 7: 200 000 cycles.	Grade 6: Up to 200kg.	Suitable for use in accordance with EN1634-1.	Safety in use.	Grade 3: 96hr (high resistance)	Grade 2: 1000 N	Projection of device: Grade 2: Projection up to 100 mm	Emergency device with lever handle operation.	B: outward opening slide exit door only

The pack with long plate includes:

- » A set of handles with an internal plate and a cover, a split spindle (8 or 9mm), 2 recoil springs, 6 coach screws, 3 bolts and an Allen key.

Product code	
MSCE0L972IS16	C9, for CF60
MSCE0L885IS16	C8, for 2035T, 4039T and 2037F

The pack with square plate includes:

- » A set of handles with 1,50 thickness square plates, a split spindle (8 or 9mm), 2 recoil springs, 10 coach screws, 5 bolts and an Allen key.

Product code	
MSCE0C972IS16	
MSCE0C885IS16	

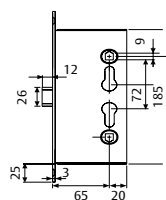
The pack with rosette includes:

- » A set of handles with an internal plate and a D50 cover, a split spindle (8 or 9mm), 2 recoil springs, 4 coach screws, 2 bolts and an Allen key.

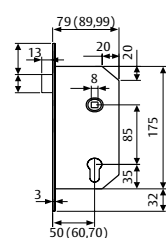
Product code	
MSCE5R900IS16	
MSCE5R800IS16	



CERTIFIED TO
UNE-EN
179:2008



CF60T. 9 mm follower
Reversible



2035T. 8 mm follower. Handed.
No cylinder, for free passing door
2037F. 8 mm follower reversible
(non handed). Valid for outside
handle locking cylinder
4039T. 8 mm follower. Handed.
Cylinder required for external door
opening.



Vertical pull handle	Product code	Finish	Horizontal pull handle	Product code	Finish
	MSMT80V (half)	IS16		MSMT800 (half)	IS16
	MSTT80V (double)	IS16		MSTT800 (double)	IS16

Vertical pull handle	Product code	Finish	Horizontal pull handle	Product code	Finish
	PCCIEGA	IS16		MSTT885	IS16
				MSTT872	IS16

Vertical pull handle	Product code	Finish
	MSTT80EM	IS16



Institutional stainless AISI 316L handle Complements

Key holes

The pack includes:

- » A set with support pieces and covers.
- » 4 coach screws.

Finish

- » IS-



Product code	Finish
MBORBOM	IS16

Thumb turns

The pack includes:

- » A set with support pieces and covers.
- » 4 coach screws.

Finish

- » LP/LM/CR/CM/MB/NE/NS.



Product code	Finish
MBOREME	IS16

Blank

The pack includes:

- » A set with support pieces and covers.
- » 4 coach screws.

Finish

- » IS-16



Product code	Finish
MBOR000	IS16