

Institutional stainless AISI 304 handle

Handles specially designed for offices and institutional buildings with standard applications.

Stainless steel AISI 304 finish

It is an austenitic steel (18% chromium, 8% nickel). Although austenitic steel is not magnetic, once it's been mechanized it can modify its structure and be attracted by a magnet. It offers excellent corrosion resistance, even in outdoors installations.

Features

Recoil spring protected by a Delrin cartridge for the rose. Spiral spring system in institutional plate and long plate. Fixing with a through bolts/screw, except in the institutional plate, which is fixed with through bolts.

Regulations

It meets the requisites of the UNE-EN 1906 standard for building fittings.

It is also above the maximum grade of the corrosion resistance standard UNE-EN 1670.

Ultraviolet resistance: unaffected.

Excellent resistance to chemical attacks.

Fixing system

Depending on each model, fixing is carried out with fixed through bolts, floating through bolts or coach screws straight onto the door's leaf.



G



Institutional stainless AISI 304 handle

Sena AISI 304

The pack with a rosette includes

- » A set of handles with an internal plate and a cover, a 8x105 mm spindle, 2 recoil springs, 4 coach screws, 2 through bolts, 2 bolts and an Allen key.

The pack with a long plate includes

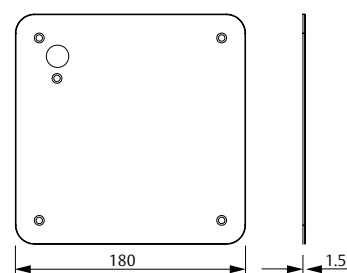
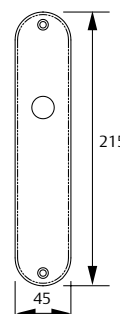
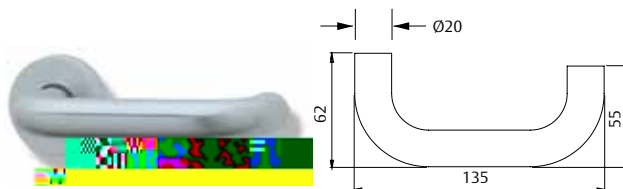
- » A set of handles with an internal plate and a cover, a 8x105 mm spindle, 2 recoil springs, 4 coach screws, 2 bolts and an Allen key.

The pack with a squared plate includes

- » A set of handles with a 1'5 mm-thick internal plate and a cover, a 8x105 mm spindle, 2 recoil springs, 4 floating through bolts, 4 coach screws, 2 through bolts and an Allen key.

Functions

- » Entrance keyhole at 85, 72, 70 and 47 mm.
- » Privacy: deadbolt at 85, 72, 70 and 47 mm.
- » Passage



Rosette	Product code	Finish
Rosette	MS5R800	IS-
Long plate	Product code	Finish
Passage	MS5L800	IS-
Cylinder at 47 mm	MS5LR800	IS-
Cylinder at 70 mm	MS0L847	IS-
Cylinder at 72 mm	MS0L870	IS-
Cylinder at 85 mm	MS0L872	IS-
Deadbolt at 47 mm	MS0L885	IS-
Deadbolt at 70 mm	MSEL847	IS-
Deadbolt at 72 mm	MSEL870	IS-
Deadbolt at 85 mm	MSEL872	IS-
Condensa a 85 mm	MSEL885	IS-
Squared plate	Product code	Finish
Passage	MS5C800	IS-
Cylinder at 47 mm	MS0C847	IS-
Cylinder at 70 mm	MS0C870	IS-
Cylinder at 72 mm	MS0C872	IS-
Cylinder at 85 mm	MS0C885	IS-
Deadbolt at 47 mm	MS3C847	IS-
Deadbolt at 70 mm	MS3C870	IS-
Deadbolt at 72 mm	MS3C872	IS-
Deadbolt at 85 mm	MS3C885	IS-

Institutional stainless AISI 304 handle

Vector AISI 304

The pack with a rosette includes

- » A set of handles with an internal plate and a cover, a 8x105 mm spindle, 2 recoil springs, 4 coach screws, 2 through bolts, 2 bolts and an Allen key.

The pack with a long plate includes

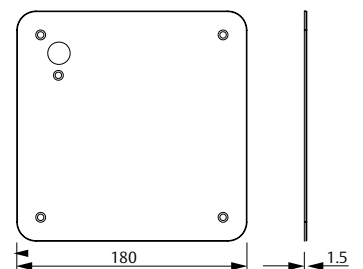
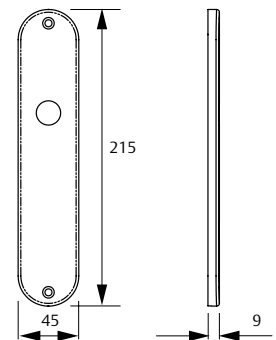
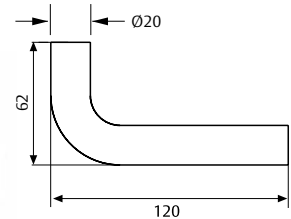
- » A set of handles with an internal plate and a cover, a 8x105 mm spindle, 2 recoil springs, 4 coach screws, 2 bolts and an Allen key.

The pack with a squared plate includes

- » A set of handles with a 1'5 mm-thick internal plate and a cover, a 8x105 mm spindle, 2 recoil springs, 4 floating through bolts, 4 coach screws, 2 through bolts and an Allen key.

Functions

- » Entrance keyhole at 85, 72, 70 and 47 mm.
- » Privacy: deadbolt at 85, 72, 70 and 47 mm.
- » Passage



Rosette	Product code	Finish
Rosette	MV5R800	IS-
Long plate	Product code	Finish
Passage	MV5L800	IS-
Cylinder at 47 mm	MV0L847	IS-
Cylinder at 70 mm	MV0L870	IS-
Cylinder at 72 mm	MV0L872	IS-
Cylinder at 85 mm	MV0L885	IS-
Deadbolt at 47 mm	MVEL847	IS-
Deadbolt at 70 mm	MVEL870	IS-
Deadbolt at 72 mm	MVEL872	IS-
Deadbolt at 85 mm	MVEL885	IS-
Squared plate	Product code	Finish
Passage	MV5C800	IS-
Cylinder at 47 mm	MV0C847	IS-
Cylinder at 70 mm	MV0C870	IS-
Cylinder at 72 mm	MV0C872	IS-
Cylinder at 85 mm	MV0C885	IS-
Deadbolt at 47 mm	MV3C847	IS-
Deadbolt at 70 mm	MV3C870	IS-
Deadbolt at 72 mm	MV3C872	IS-
Deadbolt at 85 mm	MV3C885	IS-

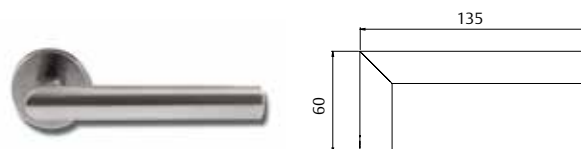
Institutional stainless AISI 304 handle

Cubo stainless AISI 304

The pack with a rosette includes

- » A set of handles with an internal plate and a cover, a 8x105 mm spindle, 2 recoil springs, 4 coach screws, 2 through bolts, 2 bolts and an Allen key.

Rosette	Product code	Finish
Rosette	MC5R800	IS-

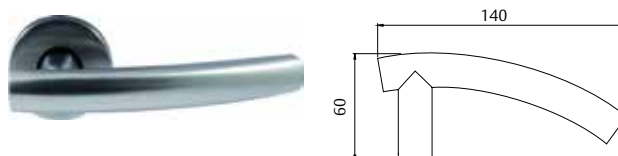


Ladho stainless AISI 304

The pack with a rosette includes

- » A set of handles with an internal plate and a cover, a 8x105 mm spindle, 2 recoil springs, 4 coach screws, 2 through bolts, 2 bolts and an Allen key.

Rosette	Product code	Finish
Rosette	ML5R800	IS-

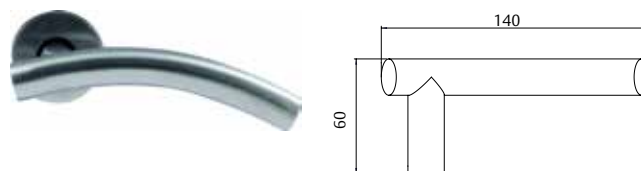


Radho stainless AISI 304

The pack with a rosette includes

- » A set of handles with an internal plate and a cover, a 8x105 mm spindle, 2 recoil springs, 4 coach screws, 2 through bolts, 2 bolts and an Allen key.

Rosette	Product code	Finish
Rosette	MR5R800	IS-



9 mm spindle SS304 handle

The pack with long plate includes:

- » 1 set of handles with steel scutcheon + SS304 covers, 1 9x140 spindle, 2 floating throughblots, 4 screws, 1 allen key.
- » 2 removable recoil springs
- » Up to 70 mm door thickness
- » Double cylinder hole available at 72 mm (MS0L972IS-)
- » Fixed knob on one side (MSTF972IS-)

Long plate	Product code	Finish
Passage	MS5L900	IS-
Cylinder	MS0L972	IS-
1/2 handle + 1 fixed knob	MSTF972	IS-



Institutional stainless AISI 304 handle complements

Key holes Ø50

The pack includes:

- » A set with support pieces and covers.
- » 4 coach screws.

Finish

- » IS304

Product code	Finish
MB0RBOM	IS-



Thumb turns Ø50

The pack includes:

- » A set with support pieces and covers.
- » 4 coach screws.

Finish

- » IS304

Product code	Finish
MBOREME	IS-



Blank

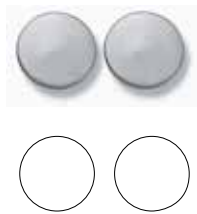
The pack includes:

- » A set with support pieces and covers.
- » 4 coach screws.

Finish

- » IS304

Product code	Finish
MB0R000	IS-

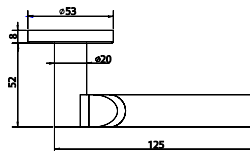


Solid Lever handles Stainless AISI 304

Nova Stainless AISI 304

The pack with a rosette includes

- » A set of handles with an internal plate and a cover, a 8x105mm spindle, 4 coach screws, 2 through bolts, 2 bolts and an Allen key.

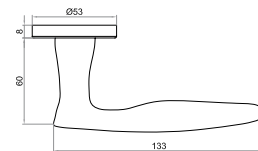


Rosette	Product code	Finish
Rosette	MNV5R800SSIS	IS-

Oasis Stainless AISI 304

The pack with a rosette includes

- » A set of handles with an internal plate and a cover, a 8 x105mm spindle, 4 coach screws, 2 through bolts, 2 bolts and an Allen key.

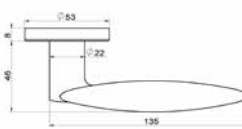


Rosette	Product code	Finish
Rosette	MOA5R800SSIS	IS-

Wind Stainless AISI 304

The pack with a rosette includes

- » A set of handles with an internal plate and a cover, a 8x105mm spindle, 4 coach screws, 2 through bolts, 2 bolts and an Allen key.

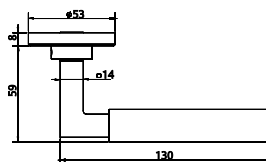


Rosette	Product code	Finish
Rosette	MW15R800SSIS	IS-

Mach Stainless AISI 304

The pack with a rosette includes

- » A set of handles with an internal plate and a cover, a 8x105mm spindle, 4 coach screws, 2 through bolts, 2 bolts and an Allen key.



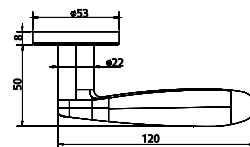
Rosette	Product code	Finish
Rosette	MMH5R800SSIS	IS-

Solid Lever handles Stainless AISI 304

Arena Stainless AISI 304

The pack with a rosette includes

- » A set of handles with an internal plate and a cover, a 8x105mm spindle, 4 coach screws, 2 through bolts, 2 bolts and an Allen key.

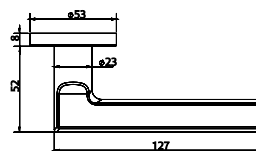


Rosette	Product code	Finish
Rosette	MAR5R800SSIS	IS-

Funxtion Stainless AISI 304

The pack with a rosette includes

- » A set of handles with an internal plate and a cover, a 8x105mm spindle, 4 coach screws, 2 through bolts, 2 bolts and an Allen key.

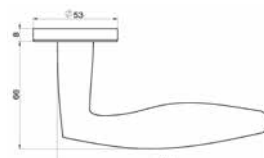


Rosette	Product code	Finish
Rosette	MFU5R800SSIS	IS-

Marina Stainless AISI 304

The pack with a rosette includes

- » A set of handles with an internal plate and a cover, a 8x105mm spindle, 4 coach screws, 2 through bolts, 2 bolts and an Allen key.

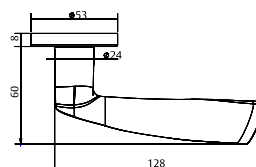


Rosette	Product code	Finish
Rosette	MMA5R800SSIS	IS-

Yas Stainless AISI 304

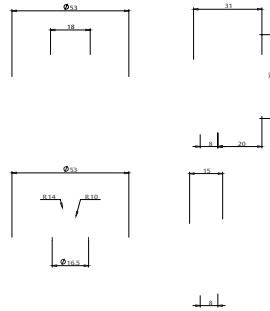
The pack with a rosette includes

- » A set of handles with an internal plate and a cover, a 8x105mm spindle, 4 coach screws, 2 through bolts, 2 bolts and an Allen key.



Rosette	Product code	Finish
Rosette	MYA5R800SSIS	IS-



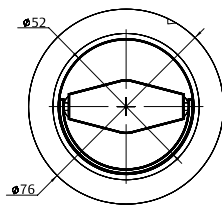


Flush ring Socket pull

The pack includes:

- » A set with support pieces and covers.
- » 4 coach screws.

Finish
» IS304



Product code	Finishes
MBOREMEOCIS	IS

Flush pull handle - Oval

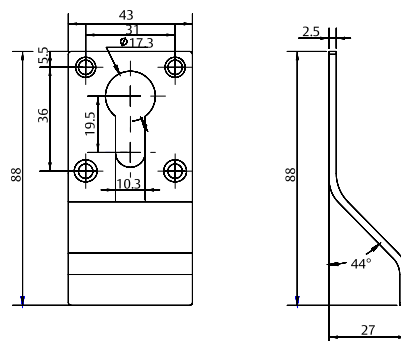
The pack includes:

- » 4 coach screws

Finish
» IS304



Product code	Finishes
TIRUNEOCS	IS



Accessories - Institutional stainless AISI 304

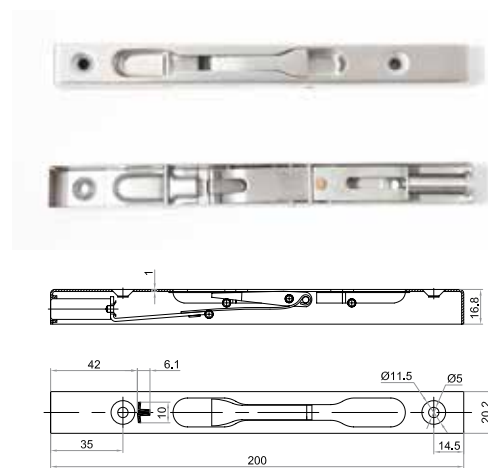
Bolts and socket

Flushbolts - Timber door

The pack includes:
» Pair, with fixing screws.

Finish
» IS304

Product code	Finishes	Dimensions
DB3/4SS8IS	IS	3/4 width 8 inches
DB3/4SS10IS	IS	3/4 width 10 inches
DB3/4SS12IS	IS	3/4 width 12 inches

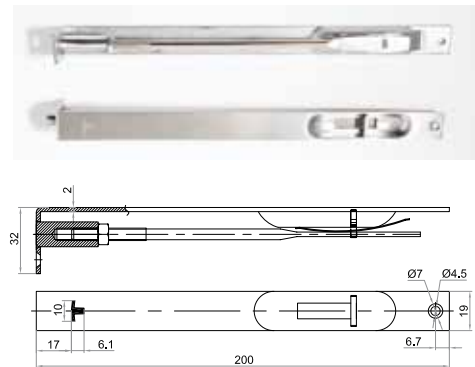


Flushbolts - Steel door

The pack includes:
» Pair, with fixing screws.

Finish
» IS304

Product code	Finishes	Dimensions
DB19SS8IS	IS	19mm - 8 inches
DB19SS10IS	IS	19mm - 10 inches
DB19SS12IS	IS	19mm - 12 inches

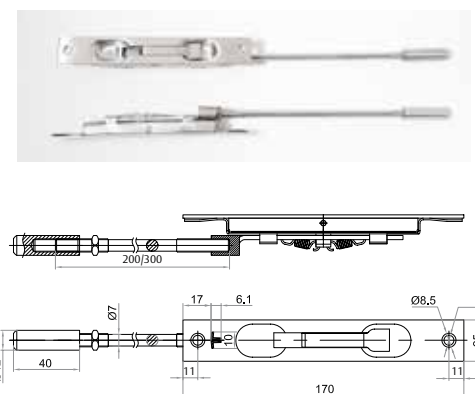


Extension flushbolts

The pack includes:
» Pair, with fixing screws.

Finish
» IS304

Product code	Finishes	Dimensions
DB3/4LSS8IS	IS	3/4 width 8 inches
DB3/4LSS10IS	IS	3/4 width 10 inches

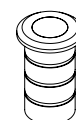
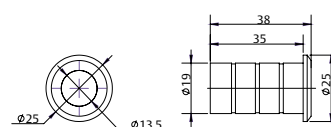


Dust proof socket

The pack includes:
» With fixing screws.

Finish
» IS304

Product code	Finishes	Dimensions
GUARDAPOLIS	IS	D25X38X13.5 (inner hole)



Accessories - Institutional stainless AISI 304 Stopper

Half-dome door stopper Ø45

The pack includes:
» Rubber plug with fixing screws.

Finish
» IS304



Product code	Finishes
TOPINOX45IS	IS

Doorstop for floor

Ø 20 x 35 mm
The pack includes:
» A screw
» A stopper for floor

Finish
» IS304



Product code	Features
TOPINOX20	Doorstop for floor

Full-dome door stopper

The pack includes:
» Rubber plug with fixing screws.

Finish
» IS304



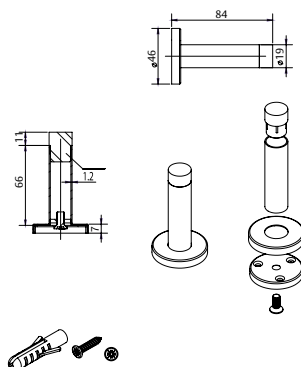
Product code	Finishes
TOPINOXRIS	IS

Wall door stopper

The pack includes:
» Rubber plug with fixing screws.

Finish
» IS304

Product code	Finishes
TOPINOX4320IS	IS

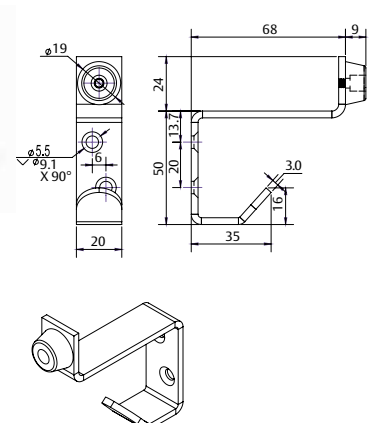


Coath hook w/ rubber buffer

The pack includes:
» Rubber plug with fixing screws.

Finish
» IS304

Product code	Finishes
TOPERCHAIS	IS



Accessories

Institutional stainless AISI 304 plates

Push plates

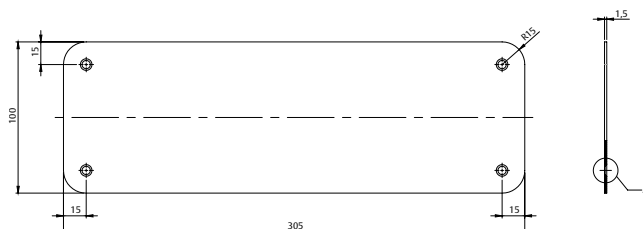
The pack includes:

- » fixing screws.

Finish

- » IS304

Product code	Finishes	Dimensions
PCCIEGAIS305100	IS	305x100x1,5 mm
PCCIEGAIS305150	IS	305x100x1,5 mm



Kick plates

The pack includes:

- » fixing screws.

Finish

- » IS304

Product code	Finishes	Dimensions
PCCIEGAIS800150	IS	800x150x1,5 mm
PCCIEGAIS100020	IS	1000x200x1,5 mm
PCCIEGAIS100080	IS	1000x800x1,5 mm

Sign plates

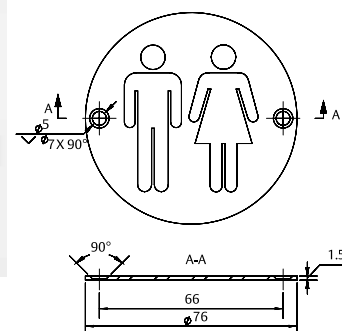
The pack includes:

- » fixing screws.

Finish

- » IS304

Product code	Finishes	Dimensions
VISUALHOMBREIS	IS	1.5mm ENGRAVED; MALE
VISUALMUJERIS	IS	D76x1.5mm ENGRAVED; FEMALE
VISUALMINUSIS	IS	D76x1.5mm ENGRAVED; HANDICAPPED
VISUALUNISEXIS	IS	D76x1.5mm ENGRAVED; UNISEX



PULL-PUSH puller

Set of SS304 PULL-PUSH plates, with laser printing.
D19 x 225 puller fixed by M8 screws. 4 passing throughbolts for both sides.

General dimentions:

- » Plates: 400 x 100 x 1,5 mm.
- » Puller: Ø19 x 225 mm.

Product code	Finishes
TSRPLE100400IS	IS-



Institutional stainless AISI 304 pull handle

Solid Type Stainless pull handles

Maximum resistance and durability. Design and ergonomics. These are the most important features for pull handles oriented towards the institutional segment. They will have to endure intensive use, due to the high traffic they are subject to, and meet functionality criteria such as ease of evacuation, etc. They must remain unaffected by any climatic conditions, both indoors and outdoors. But they must also fit in a esthetically with the features of the building, adapting to each project with total precision. TESA brings you a magnificent collection of handles oriented towards the institutional segment, made in stainless steel.

General features

- » Simple or double installation, M8x70mm fixing screws included.
- » For doors made of wood, glass, metal or PVC.

Materials and finishes

- » AISI304 Stainless steel.
- » Solid (SS)
- » Hollow (HW)

Fixations (included)

- » Simple fixation.
- » Double fixation.

Sizes

- » Check for special sizes and diametres.
- » The length of the pull handle corresponds to the distance between axis
- » Pull handle height = 55mm for Ø19mm and 65mm for Ø10mm.

Solid models (SS)



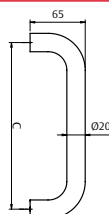
Product code	Model	Description
TR19225HWIS	Simple	Straight unitary pull handle 225x19AISI304
TR19305HWIS	Simple	Straight unitary pull handle 305x19AISI304
DTR19225HWIS	Double	Straight unitary pull handle 225x19AISI304
DTR19305HWIS	Double	Straight unitary pull handle 305x19AISI304

Hollow models (HW)



Product code	Model	Description
TR19225SSIS	Simple	Straight unitary pull handle 225x22AISI304
TR19305SSIS	Simple	Straight unitary pull handle 305x22AISI304
DTR19225SSIS	Double	Straight unitary pull handle 225x22AISI304
DTR19305SSIS	Double	Straight unitary pull handle 305x22AISI304

Stainless pull handles 20 mm diameter



Product code	Model	Description
DTR20150IS	Double	Set of straight pull handles 150X20 IS
DTR20200IS	Double	Set of straight pull handles 200X20 IS
DTR20250IS	Double	Set of straight pull handles 250X20 IS
DTR20300IS	Double	Set of straight pull handles 300X20 IS
TR20150IS	Simple	Straight pull handles 150X20 IS
TR20200IS	Simple	Straight pull handles 200X20 IS
TR20250IS	Simple	Straight pull handles 250X20 IS
TR20300IS	Simple	Straight pull handles 300X20 IS

Institutional stainless AISI 304 pull handle

Stainless pull handles 30 mm diameter

Maximum resistance and durability. Design and ergonomics. These are the most important features for pull handles oriented towards the institutional segment. They will have to endure intensive use, due to the high traffic they are subject to, and meet functionality criteria such as ease of evacuation, etc. They must remain unaffected by any climatic conditions, both indoors and outdoors. But they must also fit in aesthetically with the features of the building, adapting to each project with total precision. TESA brings you a magnificent collection of handles oriented towards the institutional segment, made in stainless steel.

General features

- » Simple or double installation. Fixations included.
- » Available in 20 mm diameter
- » For doors made of wood, glass, metal or PVC.

Materials and finishes

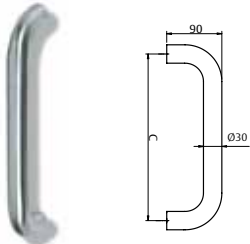
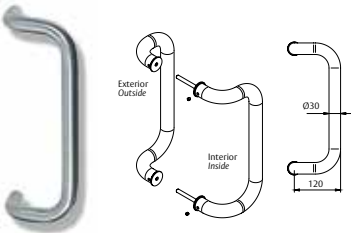
- » AISI304 Stainless steel.

Fixations (included)

- » Simple fixation.
- » Double fixation.
- » Fixation in glass, wood and aluminium

Sizes

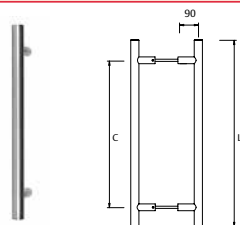
- » Each model is available in various sizes between 250mm and 2500mm.
- » Standard sizes.
- » Check for special sizes
- » The length of the pull handle corresponds to the distance between axis
- » Handle height: 90 mm. in all models.

	Product code	Model	Description
	TSR300IS	Simple	Straight unitary pull handle 300X30AIS1304
	TSR350IS	Simple	Straight unitary pull handle 350X30AIS1304
	TSR450IS	Simple	Straight unitary pull handle 450X30AIS1304
	DTSR300IS	Double	Set of straight unitary pull handles 300X30AIS1304
	DTSR350IS	Double	Set of straight unitary pull handles 350X30AIS1304
	DTSR450IS	Double	Set of straight unitary pull handles 450X30AIS1304
	TSC300IS	Simple	Bent unitary pull handle 300X30AIS1304
	TSC350IS	Simple	Bent unitary pull handle 350X30AIS1304
	TSC400IS	Simple	Bent unitary pull handle 400X30AIS1304
	DTSC300IS	Double	Set of bent unitary pull handles 300X30AIS1304
	DTSC350IS	Double	Set of bent unitary pull handles 350X30AIS1304
	DTSC400IS	Double	Set of bent unitary pull handles 400X30AIS1304

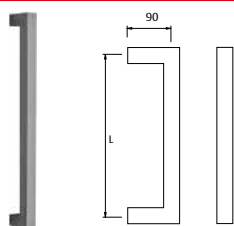


Institutional stainless AISI 304 pull handle

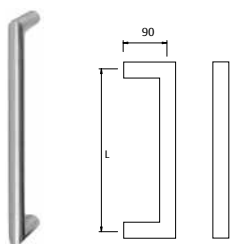
Stainless pull handles 30 mm diameter



Product code	Model	Description C x L x D
TSRL300IS	Simple	Straight unitary pull handle length 300X600X30IS
TSRL450IS	Simple	Straight unitary pull handle length 450X750X30IS
TSRL600IS	Simple	Straight unitary pull handle length 600X900X30IS
DTSRL300IS	Double	Set of straight unitary pull handles length 300X600X30IS
DTSRL450IS	Double	Set of straight unitary pull handles length 450X750X30IS
DTSRL600IS	Double	Set of straight unitary pull handles length 600X900X30IS



Product code	Model	Description
TSKU300IS	Simple	Kubika unitary pull handle length 300X30IS
TDKU300IS	Double	Set of Kubika pull handles length 300X30IS
TSKU600IS	Simple	Kubika unitary pull handle length 600X30IS
TDKU600IS	Double	Set of Kubika pull handles length 600X30IS



Product code	Model	Description
TSOB300IS	Simple	Obbal unitary pull handle length 300X30IS
TDOB300IS	Double	Set of Obbal pull handles length 300X30IS