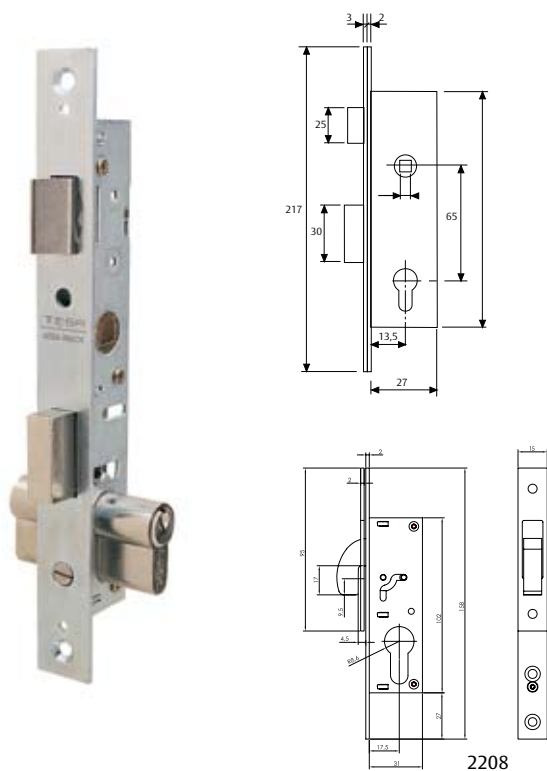


Single point lock

Sliding deadbolt

2200 Series

- » Galvanised faceplate plus an anodised aluminium faceplate supplement.
- » Latchbolt, deadbolt and cylinder are nickel-plated.
- » Latchbolt is reversible.
- » Distance between centres: 65mm.
- » Two anodised aluminium roses included
- » There is no strike plate supplied.



2200	Cylinder	Backsets	Product code	CYL	STR.	ESC
	TE-5	13,5	220015HZ	•		
	Cylinder not included	13,5	420015HZ			
2201	Cylinder	Backsets	Product code	CYL	STR.	ESC
	TE-5	13,5	220115HZ	•		
	Cylinder not included	13,5	420115HZ			
2204	Cylinder	Backsets	Product code	CYL	STR.	ESC
	Cylinder not included	15	220415NM			
2206	Cylinder	Backsets	Product code	CYL	STR.	ESC
	TE-5	13,5	220615HZ	•		
	Cylinder not included	13,5	420615HZ			
2208	Cylinder	Backsets	Product code	CYL	STR.	ESC
	TE-5	17,5	220815AI	•		

CYL: cylinder TE5 52003030L

2270 Series

- The multipurpose lock for sliding doors and windows.
- » The hook is specially designed for sliding doors.
 - » Backset is 16,5 mm.
 - » Cross key type cylinder. Locks are supplied with three keys.
 - » Strike plate and a pair of key-guide plastic roses are standard equipment.
 - » Nickel plated faceplate, strike plate and hook.

2270	Cylinder	Backsets	Product code	CYL	STR.	ESC
	Cross key	16	227016NM	•	•	•

