

Architectural range

ANTIPANIC REVERSIBLE

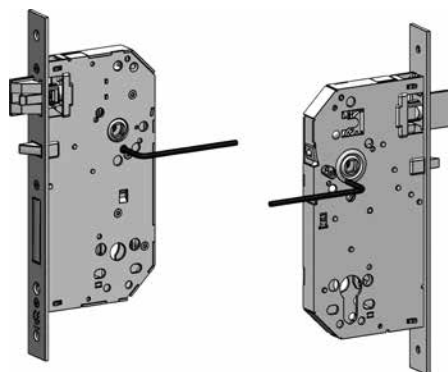
2UB0F Serie

Features

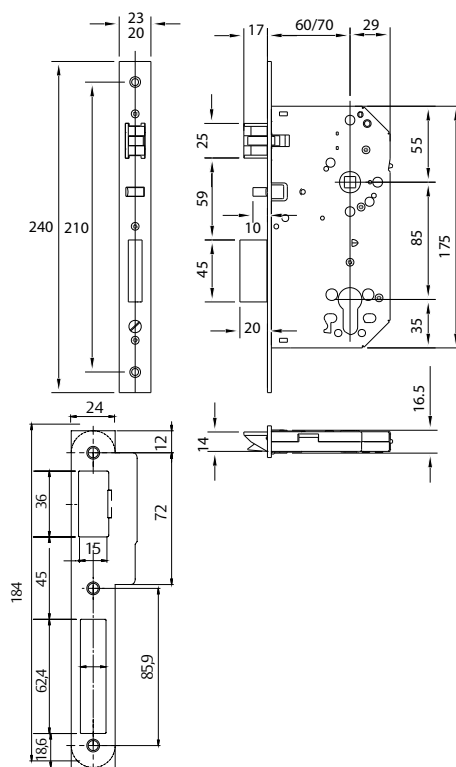
- » Antipanic reversible lock: Panic exit function configurable in the installation.
- » Mortise lock for wooden doors.
- » Conforms to the UNE-EN 12209 standard. EC-certified.
- » Reversible, silent latch in sintered steel. Profile of the latch: 17 mm (extra-security).
- » Distance between shafts: 85 mm.
- » Backsets: 60/70 mm.
- » By default, they include a panic exit function allowing for permanent free passage from the inside. When standard follower retention is ordered, an external protection device for the follower is installed in order to prevent the drilling attack. When split follower reference is ordered, the lock is antipanic for both sides. Removing a screw you can choose the hand of the lock.
- » Steel follower rod: 8mm. Deadbolt follower rod: 6 mm
- » Optional round shape 1/2.
- » Closed body, which prevents shavings from entering at the time of installation.
- » TE-5 Europrofile cylinder with nickel steel keys. LP and HL finishes: cylinder's finish in brass. HN, AI and NE finishes: cylinder's finish in nickel.
- » Packaging in boxes of 1/20 units.



CERTIFIED ACCORDING
UNE-EN
12209:2004



The reversible lock becomes non-antipanic on the side where the screw is removed.



Classification:

3	S	7	1	0	C	3	B	C	2	0
Category of use	Durability and load on latch bolt	Door mass and closing force.	Suitability for use on fire/smoke doors.	Safety	Corrosion resistance and temperature.	Security and drill resistance.	Fields of application for doors.	Type of key manoeuvre and blocking.	Type of manoeuvre in the follower rod	Requirements for key identification.

Material / finishes	HL
Body/cover	steel/paint
Front	steel/brass
Strike	steel/brass
Latch	steel/brass
Lever	steel/brass

Material / finishes	AI	NE
Body/cover	steel/paint	steel/paint
Front	inox 430	steel/paint
Strike	inox 430	steel/paint
Latch	steel/nickel	steel/paint
Lever	steel/nickel	steel/paint

Architectural range

Example antipanic standard follower reference
2UB0FA60RI

Serie	Fonction	Fire	Antipanic	Backset	Hand	Rounded forend	Finish
2UB0	0	F	A	6	0	R	I

Example antipanic standard follower reference square forend: 2UB0FA60AI

Serie	Fonction	Fire	Antipanic	Backset	Hand	Rounded forend	Finish
2UB0	0	F	A	6	0		AI

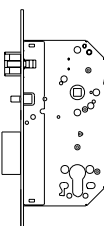
Example non antipanic standard follower reference
2UB0FE60RI

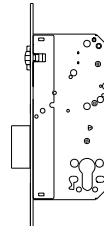
Serie	Fonction	Fire	No antipanic	Backset	Hand	Rounded forend	Finish
2UB0	0	F	E	6	0	R	I

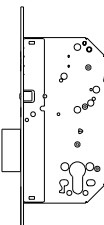
Example antipanic split follower reversible reference: 2UB0FA6DRI

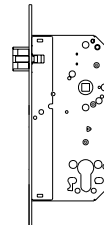
Serie	Fonction	Fire	Antipanic	Backset	Hand	Rounded forend	Finish
2UB0	0	F	RS	6	-	R	AI

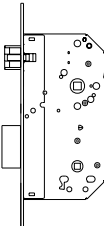
2UB0F Series

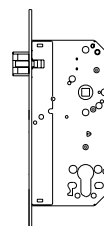
2UB0F	Model	Backset A	Finish	Packaging
	2UB0F	60 / 70	AI	1 / 20
	2UB0	60 / 70	HL	1 / 20

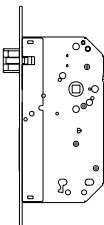
2UB6F	Model	Backset A	Finish	Packaging
	2UB6F	60 / 70	AI	1 / 20
	2UB6	60 / 70	HL	1 / 20

2UB1F	Model	Backset A	Finish	Packaging
	2UB1F	60 / 70	AI	1 / 20
	2UB1	60 / 70	HL	1 / 20

2UB7F	Model	Backset A	Finish	Packaging
	2UB7F	60 / 70	AI	1 / 20
	2UB7	60 / 70	HL	1 / 20

2UB4F	Model	Backset A	Finish	Packaging
	2UB4F	60 / 70	AI	1 / 20
	2UB4	60 / 70	HL	1 / 20

2UB9F	Model	Backset A	Finish	Packaging
	2UB9F	60 / 70	AI	1 / 20
	2UB9	60 / 70	HL	1 / 20

2UB5F	Model	Backset A	Finish	Packaging
	2UB5F	60 / 70	AI	1 / 20
	2UB5	60 / 70	HL	1 / 20

Locks supplied without cylinder have and 10% of increment in price.

Underline: "Express 5" service.

No underline: 15 working days maximum.

B