

# Institutional range

## 2030F Series

Hospitals, schools, office buildings, ... deal with intensive public traffic and rough use.

Locks included in the Commercial Range bring together reliability and functionality, and combine also with handles, panic bars, electro-magnetic devices, etc. provided by TESA.

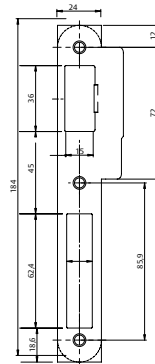
Institutional range 2030F Series locks are certified according UNE-EN 12209 CE certificated.

### Features

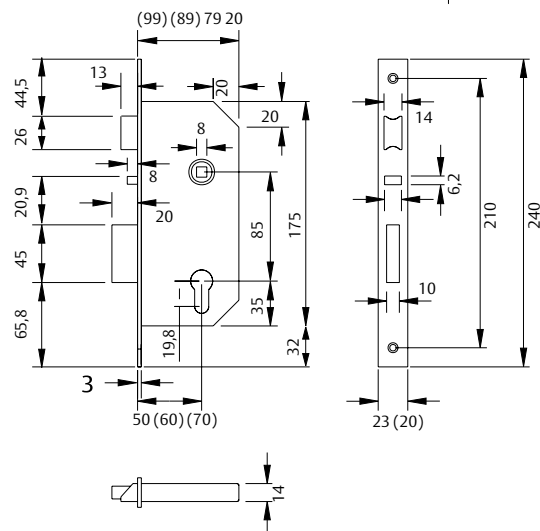
- » Antipanic reversible lock: Panic exit function configurable in the installation.
- » Sashlock for timber doors.
- » Reversible latchbolt.
- » Distance between axes: 85 mm.
- » Backsets: 50/ 60/ 70 mm.
- » Follower: 8 mm. Thumbturn follower: 6 mm.
- » 1/2 rounded forend available.
- » Closed lockcase.
- » Euro-profile 5 pin cylinder made to DIN V 18254 with 3 nickel plated steel sawn keys. LP/ HL finish: brass finished cylinder. HN/ NE/ AI finish: nickel finished cylinder.
- » Packed: 1/20 units.



CERTIFIED ACCORDING  
**UNE-EN 12209:2004**



The reversible lock becomes non-antipanic on the side where the screw is removed.



### Classification

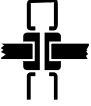

|                 |                                   |                              |  |        |                                       |                                |                                  |                                     |                                       |                                      |
|-----------------|-----------------------------------|------------------------------|--|--------|---------------------------------------|--------------------------------|----------------------------------|-------------------------------------|---------------------------------------|--------------------------------------|
| 3               | S                                 | 7                            | 1  | 0      | C                                     | 2                              | B                                | C                                   | 2                                     | 0                                    |
| Category of use | Durability and load on latch bolt | Door mass and closing force. | Suitability for use on fire/smoke doors. | Safety | Corrosion resistance and temperature. | Security and drill resistance. | Fields of application for doors. | Type of key manoeuvre and blocking. | Type of manoeuvre in the follower rod | Requirements for key identification. |

| 2030F, 2030 E, 2030S |                     |           |
|----------------------|---------------------|-----------|
| HL                   | AI                  | NE        |
| steel/pnt            | steel/pnt           | steel/pnt |
| steel/brass          | stainless steel 430 | steel/pnt |
| steel/brass          | stainless steel 430 | steel/pnt |
| st/nickel            | st/nickel           | st/nickel |
| st/nickel            | st/nickel           | st/nickel |

# Mortice locks

| Model | Follower | Anticard system | Interior operation | Exterior operation | Latchbolt | Deadbolt | Fire resistance | Antipanic | Notes              |
|-------|----------|-----------------|--------------------|--------------------|-----------|----------|-----------------|-----------|--------------------|
| 2030F | split    | YES             | handle/cylinder    | handle/cylinder    | YES       | YES      | YES             | YES       | Steel latchbolt.   |
| 2030F | standard | YES             | handle/cylinder    | cylinder           | YES       | YES      | YES             | YES       | Steel latchbolt.   |
| 2S30  | standard | YES             | handle/cylinder    | handle/cylinder    | YES       | YES      | NO              | YES       | Silence latchbolt. |
| 2035F | standard | NO              | handle             | handle             | YES       | NO       | YES             | NO        | Passage door.      |
| 2037F | split    | NO              | bar/handle/cyl.    | handle/cylinder    | YES       | NO       | YES             | YES       | Reversible.        |
| 2038F | standard | NO              | cylinder           | cylinder           | NO        | NO       | YES             | YES       | Sliding door.      |
| 2039F | standard | NO              | handle             | cylinder           | YES       | NO       | YES             | NO        | Gate.              |
| 203MN | standard | YES             | handle             | cylinder           | YES       | YES      | YES             | YES       | Automatic.         |

## 2030F Series

| Split follower  | Model   | Latch   | Backset A  | Hand | Standard follower   | Model | Latch   | BACKset A | Hand |
|---|---------|---------|------------|------|---|-------|---------|-----------|------|
|  | 2030FRS | 50 / 5R | Reversible | NE   |  | 2030F | 50 / 5R | -         | NE   |
|   | 2030FRS | 50 / 5R | Reversible | AI   |   | 2030F | 50 / 5R | -         | AI   |
|   | 2030FRS | 50 / 5R | Reversible | HL   |   | 2030F | 5R      | -         | HL   |
|   | 2030FRS | 60 / 6R | Reversible | NE   |   | 2030F | 60 / 6R | -         | NE   |
|   | 2030FRS | 60 / 6R | Reversible | AI   |   | 2030F | 60 / 6R | -         | AI   |
|   | 2030FRS | 60 / 6R | Reversible | HL   |   | 2030F | 60      | -         | HL   |

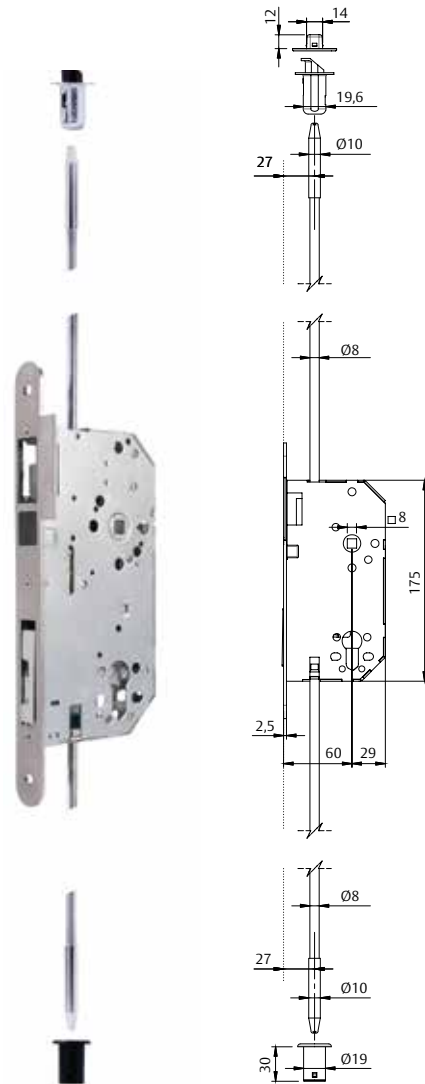
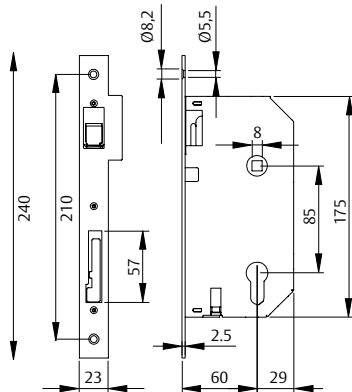
Underline: "Express 5" service.

No underline: 15 working days maximum.

## Counter lock 2032F

### Features:

- » Counterlock for double leaf doors, to be installed in passive leaf.
- » It can be installed with 2035T, 2037F and 2039T on the main leaf.
- » CE certified according to EN-1125: 2008.
- » Suitable for FR doors. EN 1634-1:2014.
- » 85 mm distance between axes.
- » Backset: 60mm.
- » Stainless Steel made reversible ½ rounded frontplate.
- » Can be operated manually or through the panic bar.
- » When operating the counterlock, the 2032F actuator pushes back the main leaf lock latchbolt and retracts the top and bottom rods at the same time.
- » Complete lock set consists of a central main lock, two vertical rods and a top and bottom locking point.



| Product cod  | Function   |
|--------------|--|
| 2032F6RAI    | Central main lock                                |
| BARVE2032FCE | Vertical rods, for top and bottom locking points |
| RETCF32      | Top relatching device                            |

# Mortice locks

## 2035F Series

- » Application to fire proof doors (steel latchbolt and deadbolt).
- » Passage doors.

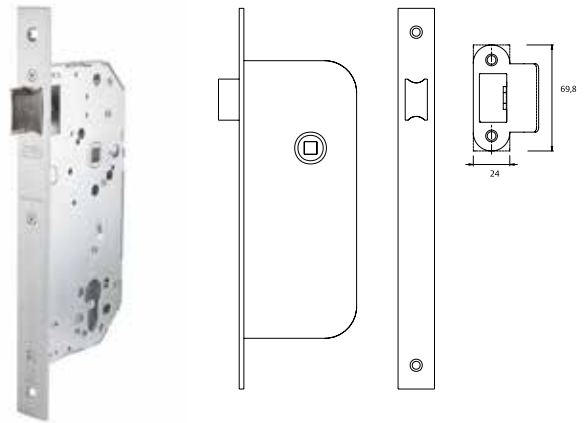
### Operation

- » Reversible latchbolt withdraws from either side with levers or knobs.

| 2035F         | Model | Backset | Hand | Finish |
|---------------|-------|---------|------|--------|
| Nueca pasante | 2035F | 50 / 5R | -    | NE     |
|               | 2035F | 50 / 5R | -    | AI     |
|               | 2035F | 60 / 6R | -    | NE     |
|               | 2035F | 60 / 6R | -    | AI     |
|               | 2035F | 60 / 6R | -    | HL     |

Underline: "Express 5" service.

No underline: 15 working days maximum.



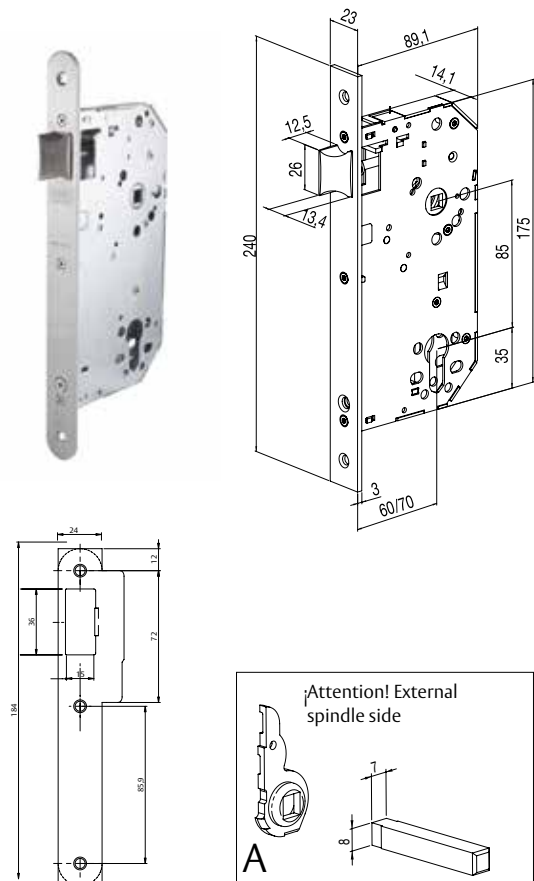
## 2037F Series

### Features:

- » The cylinder activates the latchbolt and blocks the follower.
- » Follower activates the latchbolt.
- » Antipanic from exterior side.
- » Valid for fire resistance doors.
- » Distance between axes: 85 mm.
- » Backset: 60/70 mm.
- » Follower 8 mm.
- » Round 1/2 optional.
- » Steel reversible latchbolt. Reversibility is done moving the stop.
- » Antipanic function is based the position of the spindle.
- » Double spindle specific for 2037, 8x105 mm.
- » Double spindle optional 2037, 8x125 mm.

| Model | Backset | Finish |
|-------|---------|--------|
| 2037F | 60      | NE     |
| 2037F | 70      | NE     |
| 2037F | 60      | AI     |
| 2037F | 70      | AI     |
| 2037F | 6R      | NE     |
| 2037F | 7R      | NE     |
| 2037F | 6R      | AI     |
| 2037F | 7R      | AI     |

Los precios de cerraduras sin cilindro que no vayan acompañadas del correspondiente cilindro suelto, estarán sujetos a un recargo del 25%



# Mortice locks

## 2038 Series

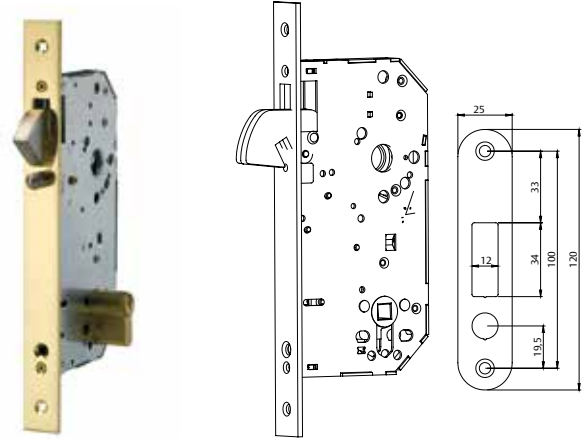
### Features:

- » Backsets: 60/70 mm.
- » Activable hook with cylinder.
- » Same mortising as the 2030 model.

| Model | Backset | Finish | Packaging |
|-------|---------|--------|-----------|
| 2038  | 60 / 70 | HL     | 1 / 20    |
| 2038  | 60 / 70 | Al     | 1 / 20    |

Underline: "Express 5" service.

No underline: 15 working days maximum.



## 2039F Series

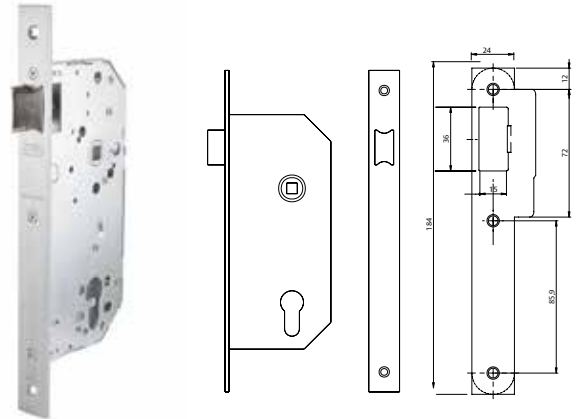
- » Application to fire proof doors (steel latchbolt and deadbolt).
- » Main entrance doors. Mortice nightlatch.

### Operation

- » Latchbolt withdraws from inside with lever or knob or by single cylinder from outside.

| 2039F             | Model | Latch | Backset A | Hand |
|-------------------|-------|-------|-----------|------|
|                   | 2039F | 50    | -         | NE   |
| Standard follower | 2039F | 50    | -         | Al   |
|                   | 2039F | 60    | -         | Al   |

Locks supplied without cylinder have and 10% of increment in price.

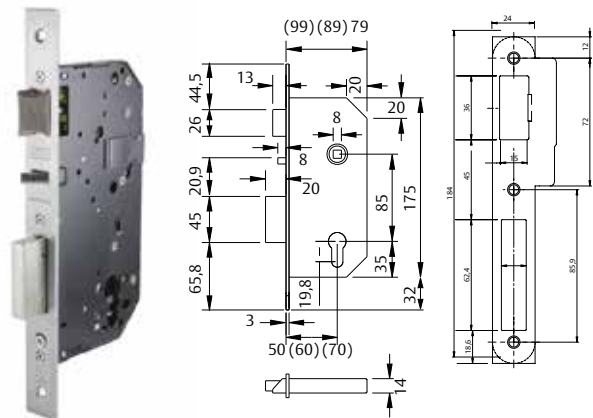


## 203MN Automatic Series

- » Distance between shafts: 85 mm.
- » Backsets: 60/70 mm.
- » 8 mm follower rod.
- » Automatic lever projection.
- » Panic exit function.
- » Anticard device.
- » Apt for firebreak doors.

CERTIFIED ACCORDING  
**UNE-EN  
12209:2004**

| Model | Backset | Finish | Packaging |
|-------|---------|--------|-----------|
| 203MN | 60      | Al     | 1 / 20    |
| 203MN | 70      | Al     | 1 / 20    |



### Classification:

| 3               | H                                 | 8                            | 1  | 0      | C                                     | 2                              | B                                | H                                   | 2                                     | 0                                    |
|-----------------|-----------------------------------|------------------------------|--|--------|---------------------------------------|--------------------------------|----------------------------------|-------------------------------------|---------------------------------------|--------------------------------------|
| Category of use | Durability and load on latch bolt | Door mass and closing force. | Suitability for use on fire/smoke doors. | Safety | Corrosion resistance and temperature. | Security and drill resistance. | Fields of application for doors. | Type of key manoeuvre and blocking. | Type of manoeuvre in the follower rod | Requirements for key identification. |

- » Extra security:
  - The lever is not projected until the latch is lodged in the frame.
  - The lever has double interlocking, halfway and at the end of the trajectory.

