

Locks with PIN code

Code 1000

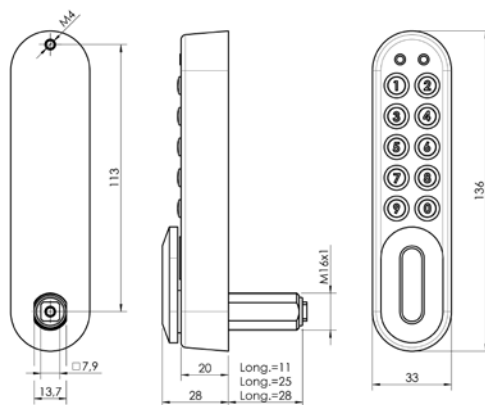
This lock is a standalone battery operated locking system working with a four-digit pin code.

To be fitted to cabinets, lockers, in use in leisure facilities, schools, hospitals, offices, ...

The lock is intended for dry indoor spaces, but can be supplemented with a sealing gasket for use in damp indoor environments.

Features

- » 2 functions: Private or Public (multi occupancy).
- » Up to 15,000 openings.
- » Valid for doors thicknesses up to 25 mm.
- » Supplied as standard with 2 cams and 3 shafts of different lengths (22 mm, 25 mm and 28 mm).
- » IP55 rated when used with the rubber door gasket.
- » Grey color as standard, black finish as an option.
- » External dimensions: 136 x 32 x 30 mm
- » 2 Alkaline AAA cells (supplied).
- » Vertical model: Suitable for right and left hand.
- » Horizontal model: Not suitable for right and left hand.



Description	Code
Lock	8CODE1000
Gasket	8CODE1000JUN

External battery adaptor

Features

- » In case the cells have run out, an emergency opening can be done using a 9 V (PP3) battery inserted in this adaptor.
- » Suitable for CODE 1000, CODE 1500 and CODE NANO locks.



Code
8CARCODE1000