

Mortice locks

2038 Series

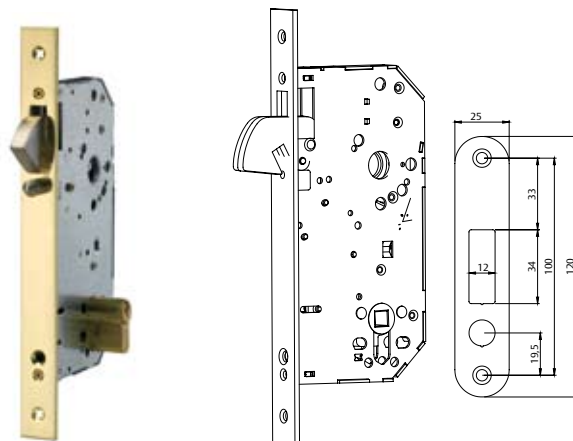
Features:

- » Backsets: 60/70 mm.
- » Activable hook with cylinder.
- » Same mortising as the 2030 model.

Model	Backset	Finish	Packaging
2038	60 / 70	HL	1 / 20
2038	60 / 70	Al	1 / 20

Underline: "Express 5" service.

No underline: 15 working days maximum.



2039F Series

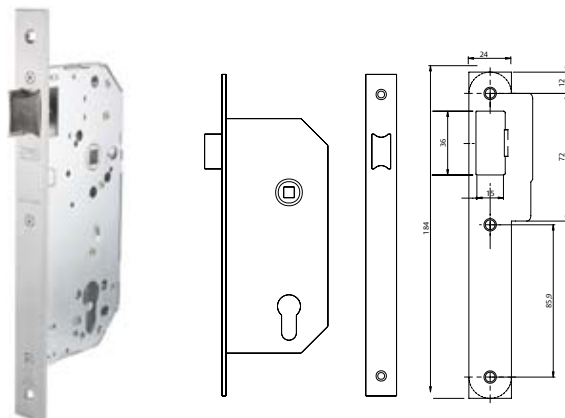
- » Application to fire proof doors (steel latchbolt and deadbolt).
- » Main entrance doors. Mortice nightlatch.

Operation

- » Latchbolt withdraws from inside with lever or knob or by single cylinder from outside.

2039F	Model	Latch	Backset A	Hand
	2039F	50	-	NE
Standard follower	2039F	50	-	Al
	2039F	60	-	Al

Locks supplied without cylinder have and 10% of increment in price.

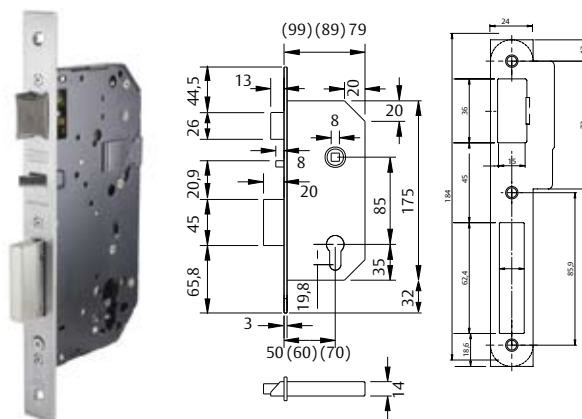


203MN Automatic Series

- » Distance between shafts: 85 mm.
- » Backsets: 60/70 mm.
- » 8 mm follower rod.
- » Automatic lever projection.
- » Panic exit function.
- » Anticard device.
- » Apt for firebreak doors.

CERTIFIED ACCORDING
**UNE-EN
12209:2004**

Model	Backset	Finish	Packaging
203MN	60	Al	1 / 20
203MN	70	Al	1 / 20



Classification:

3	H	8	1	0	C	2	B	H	2	0
Category of use	Durability and load on latch bolt	Door mass and closing force.	Suitability for use on fire/smoke doors.	Safety	Corrosion resistance and temperature.	Security and drill resistance.	Fields of application for doors.	Type of key manoeuvre and blocking.	Type of manoeuvre in the follower rod	Requirements for key identification.

- » Extra security:
 - The lever is not projected until the latch is lodged in the frame.
 - The lever has double interlocking, halfway and at the end of the trajectory.

