

Locks with panic function

Single leaf doors



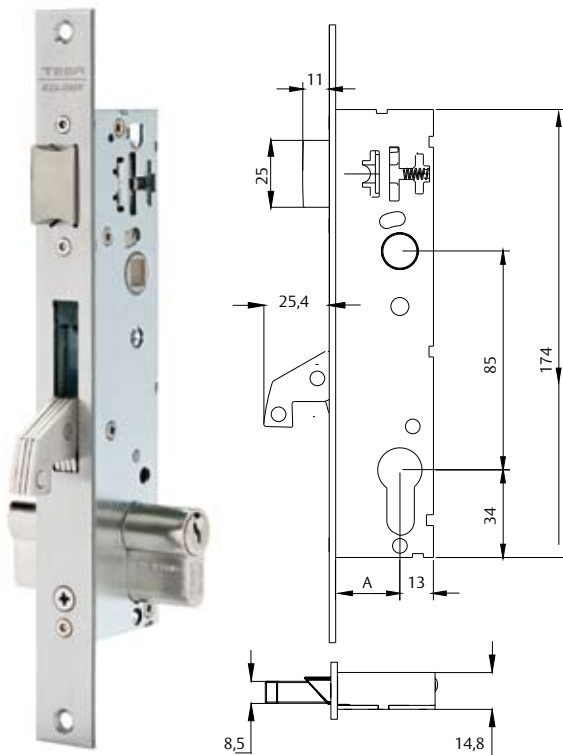
2240BA Series

- » Lock with panic function, applicable with panic bars
- » Certified according with EN 1125
- » The cases, with 15mm of wide, reduce the aluminium mechanization.

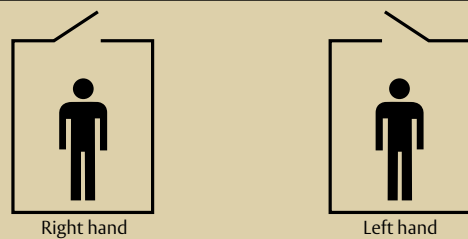
Features:

- » Panic B function, split follower
- » Reinforced hook.
- » Face plate and strike plates made in stainless steel.
- » Available Backsets 30 and 35

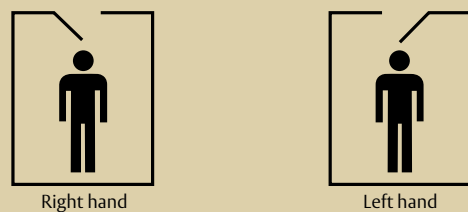
Backsets	Opening	Hand	Product code
30	Outwards	R	4240BA30ED5AI
30	Outwards	L	4240BA30EI5AI
30	Inwards	R	4240BA30ID5AI
30	Inwards	L	4240BA30II5AI
Backsets	Opening	Hand	Product code
35	Outwards	R	4240BA35ED5AI
35	Outwards	L	4240BA35EI5AI
35	Inwards	R	4240BA35ID5AI
35	Inwards	L	4240BA35II5AI



Outwards opening



Inwards opening



PANIC B:

- » Split follower.
- » The interior handle unlocks the latch and the deadbolt
- » The exterior handle unlocks the latch

