

Fire doors hardware

Model	Follower rod	Panic function	Outside access device	Internal operation	Performance	Field of use
CF50ASR9	Split	Yes	Handle/pull handle + key	Handle + key	The key removes the lever and the latch	Entrance
CF50NG	Through	No	Pull handle/handle + key	Handle + key	The key removes the lever and the latch	Entrance
CF60RSR9	Split	Yes	Handle/pull handle + key	Handle + key	The key deadlocks the external handle	Entrance
CF6TRSR9*	Split	Yes	Handle/pull handle + key	Panic bar	The key deadlocks the external handle	Emergency exit
CF6900R9	Through	Yes	Pull handle/handle + key	Handle	External opening with a key	Entrance
CF6500R9Z	Through	Yes	Handle	Handle	Free passage by both sides	Free passing doors

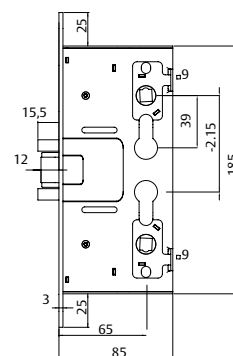
*Strike included

CF-50 Series

- » Lock suitable for use on fire rated doors.
- » Steel latch: working temperature > 900°C.
- » 9x9mm follower.
- » Distance between axes: 72 mm.
- » Backset: 65 mm.
- » Reversible.
- » Zinc plated steel (Z) or stainless steel (I) frontplate.
- » Durability: 200.000 cycles @ 120N pre-load.
- » Additional security features:
 - 1) New deadbolt design (increased stiffness).
 - 2) When cylinder is locked and deadbolts projected the latch remains blocked and it can not be retracted.
 - 3) When cylinder is locked the latch activates a deadlatch system.



CERTIFIED ACCORDING
**UNE-EN
12209:2004**



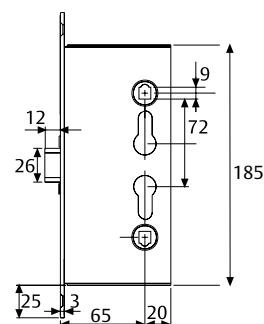
Product code	Function	Packaging
CF50NGTR9Z/ICE	No panic	1 / 25
CF5ENGTR9Z/ICE	No panic	1 / 1
CF50ASR9Z/ICE *	Panic	1 / 25

* Split follower

CF-60 Series

- » CF60 lock, cylinder not included, panic function for all versions
- » Suitable to be used in FR doors
- » Certified according UNE-EN1125:2009
- » Certified according UNE-EN 12209: 2004.
- » Steel latch, suitable to be used in FR doors
- » Non-friction guide between latch and frontplate
- » 9x9 mm follower
- » Backset 65 mm
- » Distance between each axis 72 mm
- » Reversible (non handed)
- » Front plate finish: zinc plated (Z) or stainless steel (I)

CERTIFIED ACCORDING
**UNE-EN
12209:2004
1125:2009**



Product code	Function	Packaging
CF60RSR9(Z/I)CEROB	Handle/panic bar+key	1 / 25
CF6TRSR9(Z/I)CEROB	Handle/panic bar+key *	1 / 1 y 1 / 20
CF6ERSR9(Z/I)CEROB	Handle/panic bar+key	1 / 1 y 1 / 20
CF6IRSR9ICEROB	Inwards opening	1 / 25
CF6500R9(Z/I)CEROB	Free passing door**	1 / 25
CF6900R9(Z/I)CEROB	External key opening (without lever) ***	1 / 25

* Strike included

** No cylinder admitted (only external lever handle)

*** No external lever handle is admitted (only external cylinder)

Fire doors hardware

CF60 solenoid Series

Mechanical features

- » CF60 lock, cylinder not included, panic function for all versions
- » Suitable to be used in FR doors
- » Certified according UNE-EN1125:2009
- » Certified according UNE-EN 12209: 2004.
- » Steel latch, suitable to be used in FR doors
- » Non-friction guide between latch and frontplate
- » 9x9 mm follower
- » Backset 65 mm
- » Distance between each axis 72 mm
- » Reversible (non handed)
- » Front plate finish: zinc plated (Z) or stainless steel (I)

Electrical features

- » Power supply: 12Vdc / 24Vdc
- » Consumption : max 550mA (12Vdc) / 270mA (24Vdc)
- » Consumption: stop 240mA (12Vdc) / 110mA (24Vdc)

Product code	Inner function	Frontplate finish
CF65NPTRSR9ICER	No Panic	Stainless steel
CF65NPTRSR9ZCER	No Panic	Zinc plated
CF65TRSR9ICEROB	Panic	Stainless steel
CF65TRSR9ZCEROB	Panic	Zinc plated
CF65IRSR9ICEROB	Panic (Inwards opening)	Stainless steel

CF60 with panic function

Performance

- » Locking the cylinder, the external follower of the lock gets blocked and the door can not be opened. However, as it is an panic lock, the door can always be open from inside by activating the lever or the panic exit device.
- » With an electric signal, the electro switch clutches the inner mechanism of the lock allowing the door to be opened from outside operating the lever.
- » When the signal disappears, the lock becomes blocked again from outside.
- » Version "Inwards opening" (CF65IRSR9ICEROB) - only with Stainless Steel frontplate.

Certification

- » CE certified according UNE-EN12209 & UNE-EN1125

CF60 without panic function

Performance

- » Locking the cylinder, the lock gets blocked and the door can not be opened, neither from inside nor from outside.
- » With an electric signal, the electro switch clutches the inner mechanism of the lock allowing the door to be opened from inside and outside operating the lever.
- » When the signal disappears, the lock becomes blocked again.

Certification

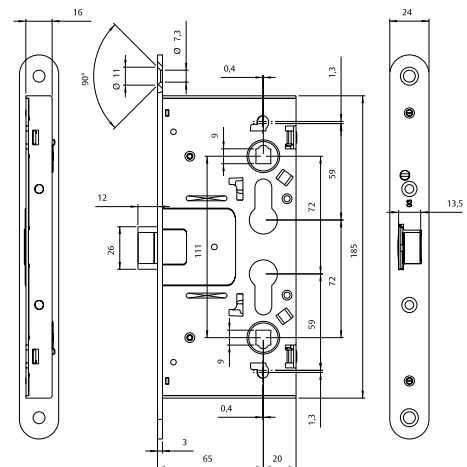
- » CE certified according UNE-EN12209.



CERTIFIED ACCORDING
UNE-EN
12209:2004
1125:2009



General dimensions



Power consumption

Voltage
12-24 VDC (-10%/+15%)
Power consumption
máx. 550 mA (12 VDC)
nominal 240 mA (12 VDC)
máx. 270 mA (24 VDC)
nominal 110 mA (24 VDC)

Installation

