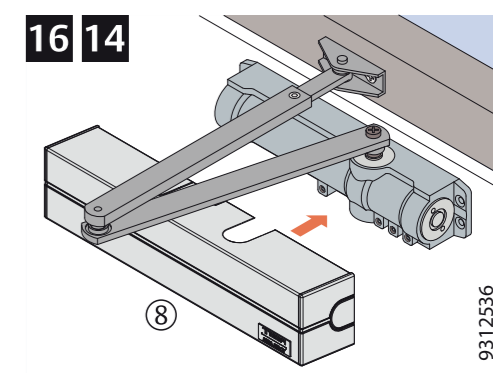
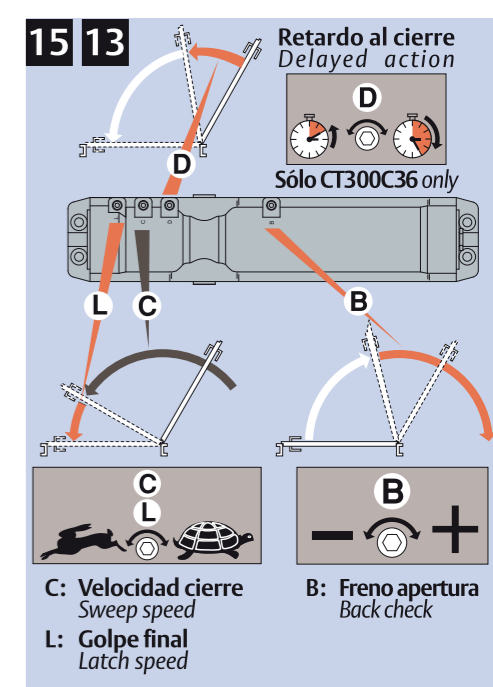
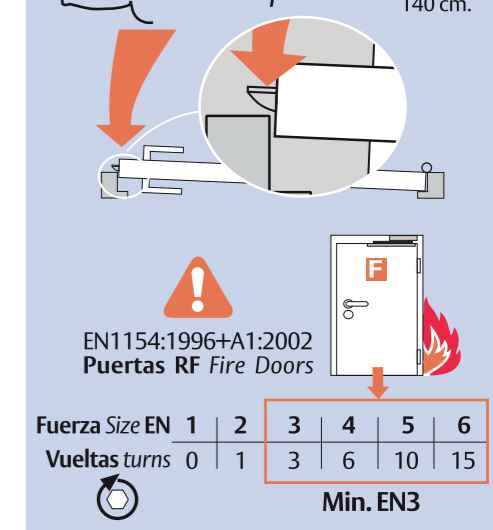
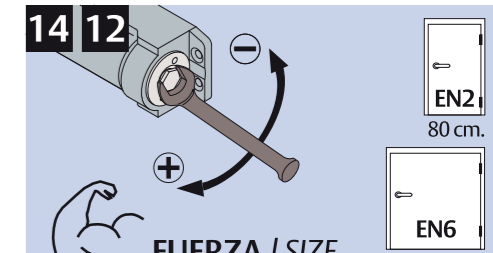
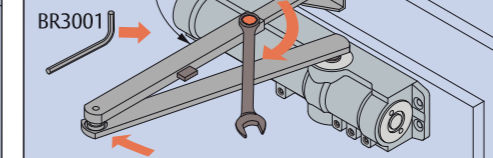
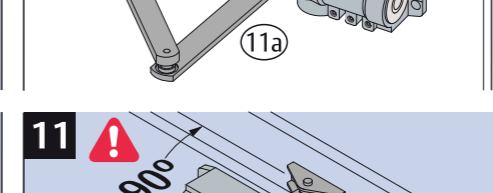
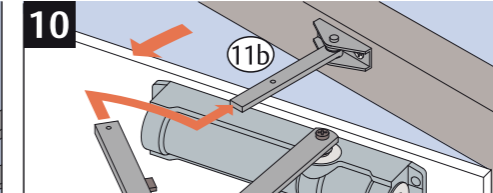
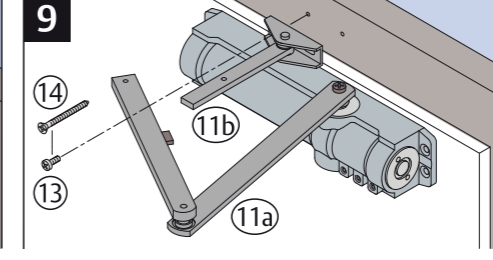
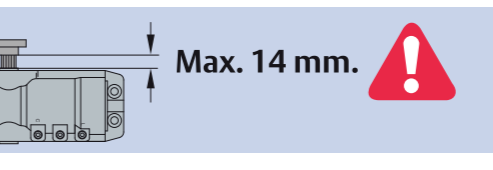
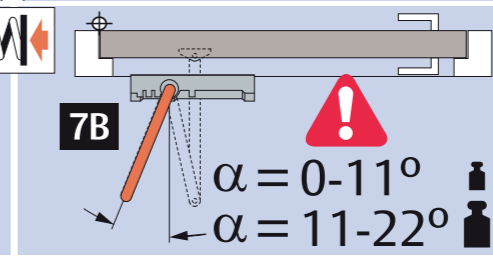
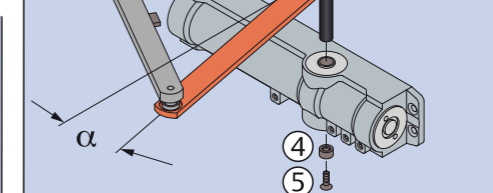
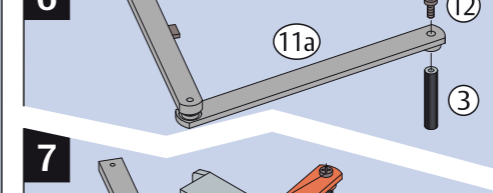
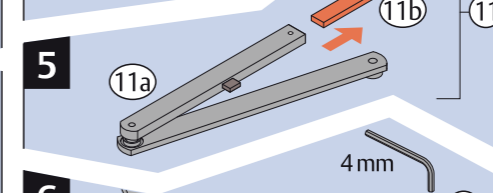
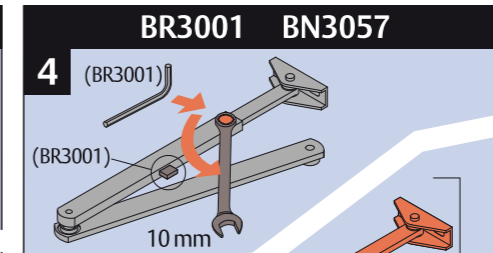
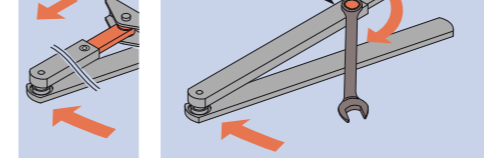
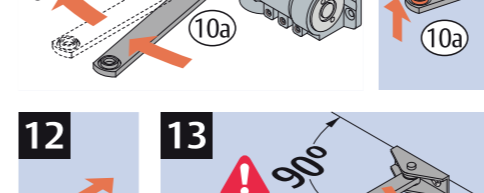
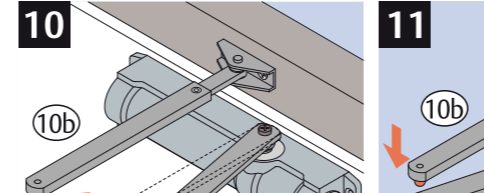
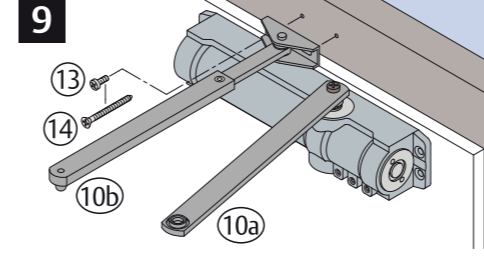
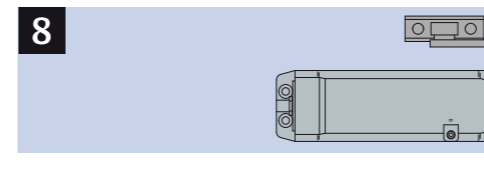
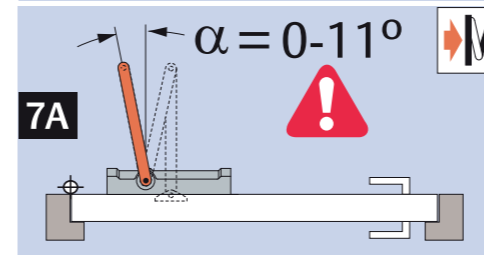
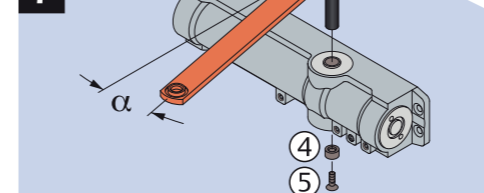
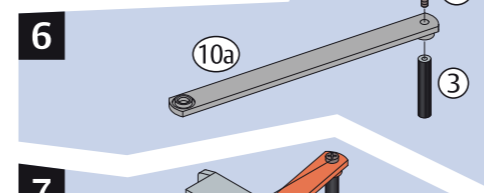
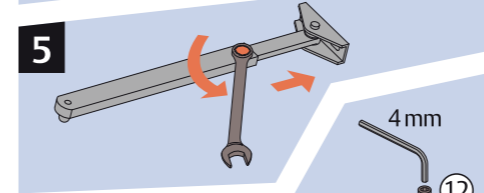
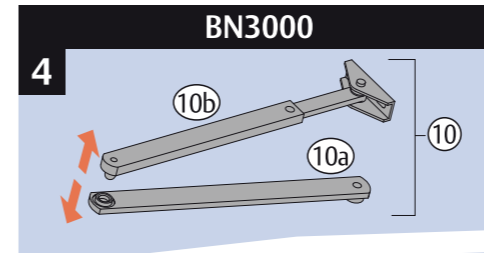
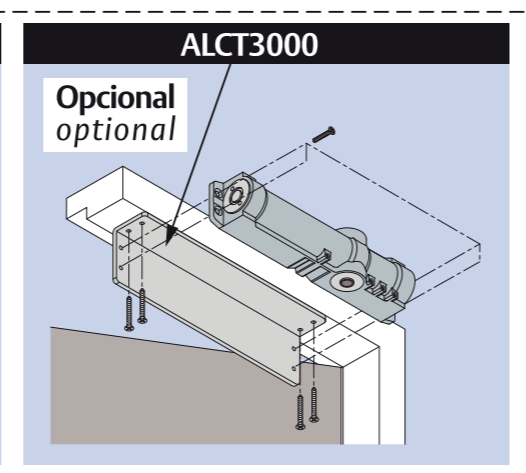
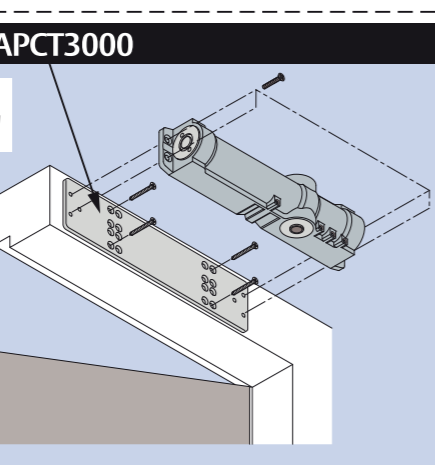
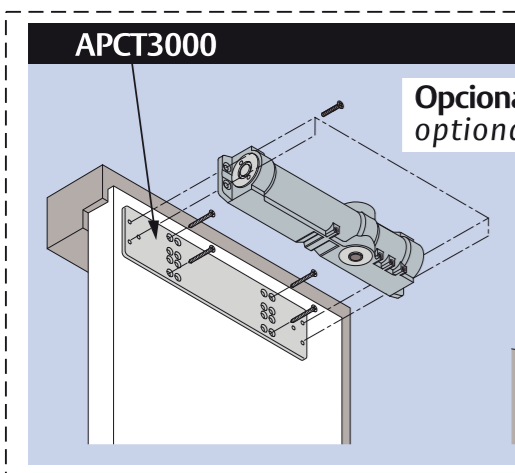
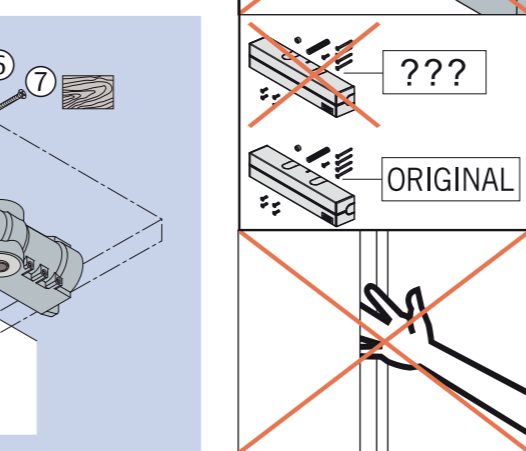
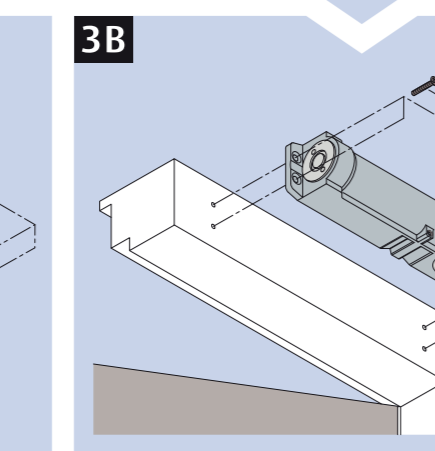
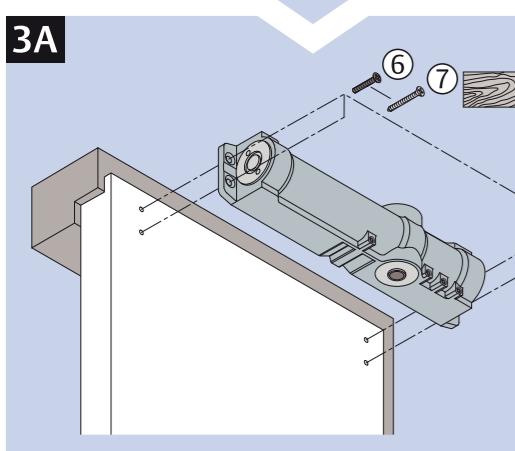
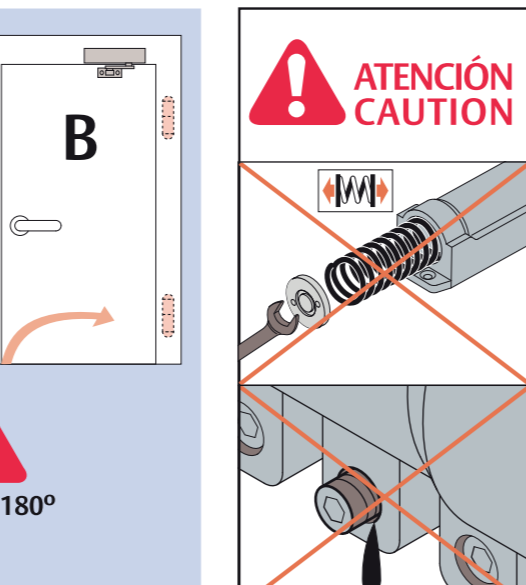
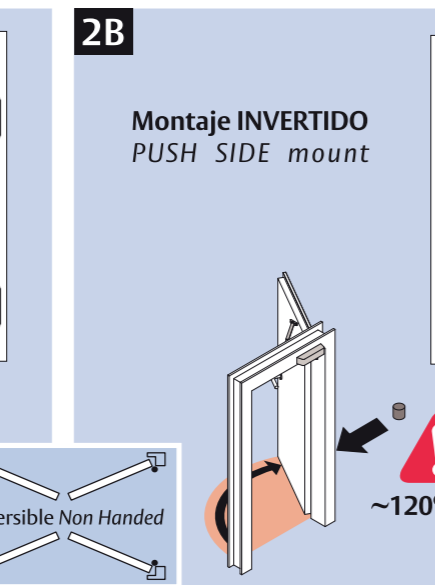
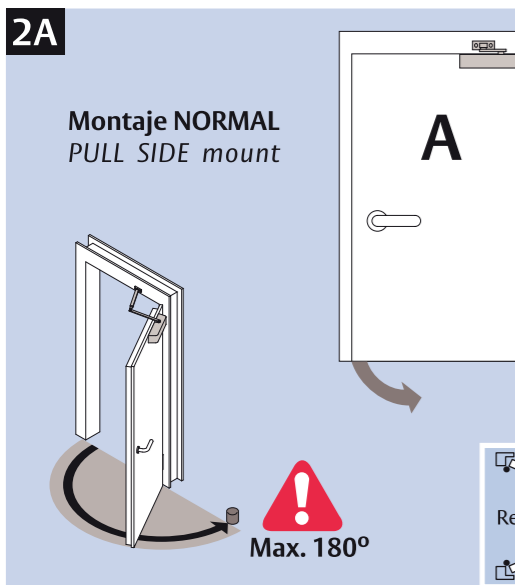
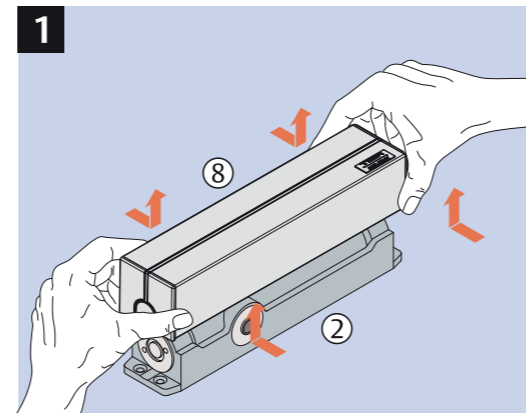
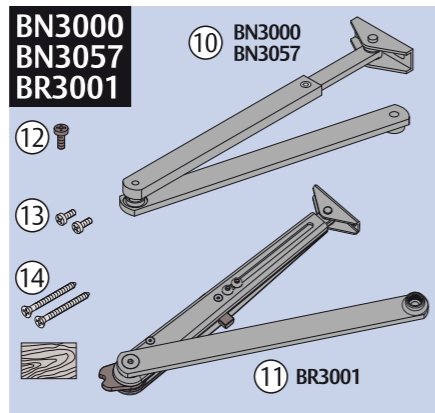
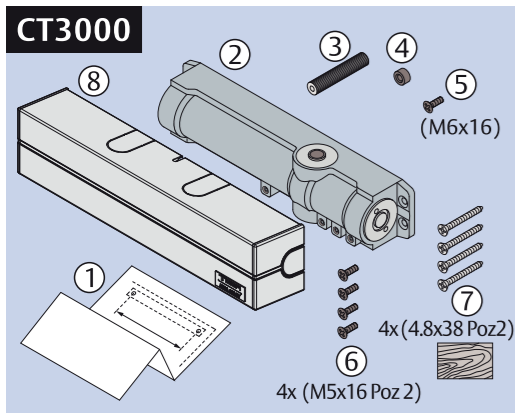
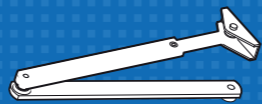


CT300036 - CT300C36 + BN3000-BN3057-BR3001



CT300036 + BN3000 / BN3057:

CE	Abloy Oy, PO Box 108 80101 Joensuu, Finland	04
0432-CPD-0047	EN 1154:1996+A1:2002	3 8 6 3 1 1 4
Dangerous substances: None		

CT300C36 + BN3000 / BN3057:

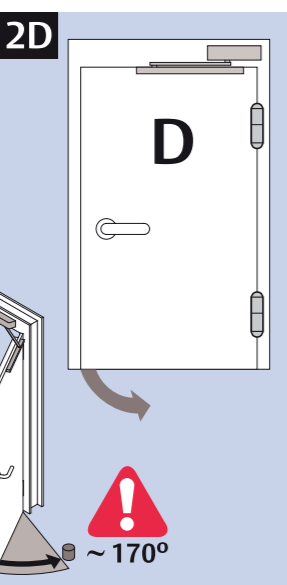
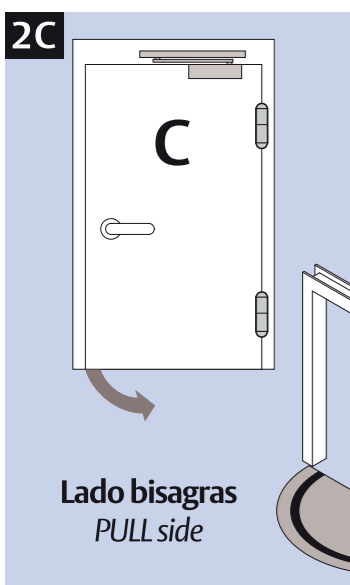
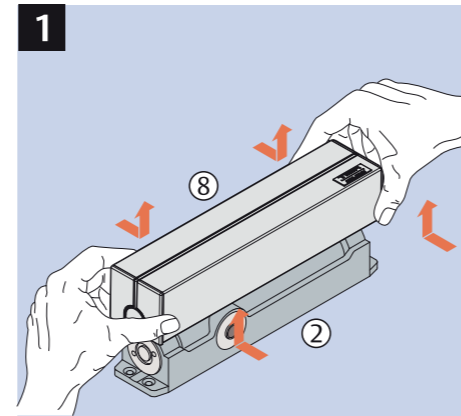
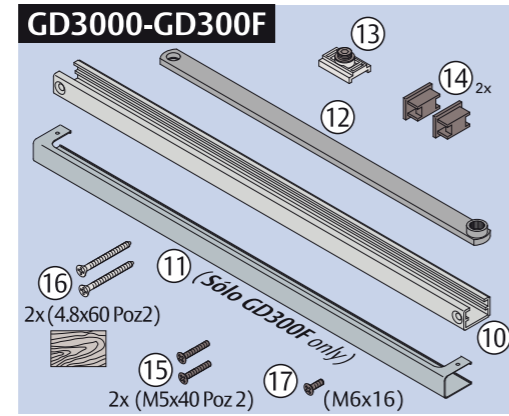
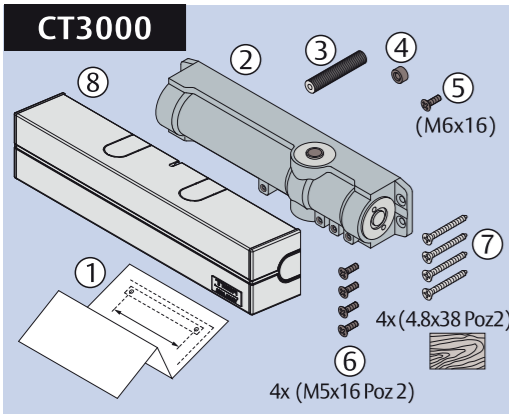
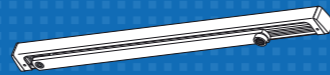
CE	Abloy Oy, PO Box 108 80101 Joensuu, Finland	13
1162-CPR-0647	EN 1154:1996+A1:2002/AC:2006	4 8 6 2 1 1 3
Dangerous substances: None		

ASSA ABLOY

TESA

ASSA ABLOY

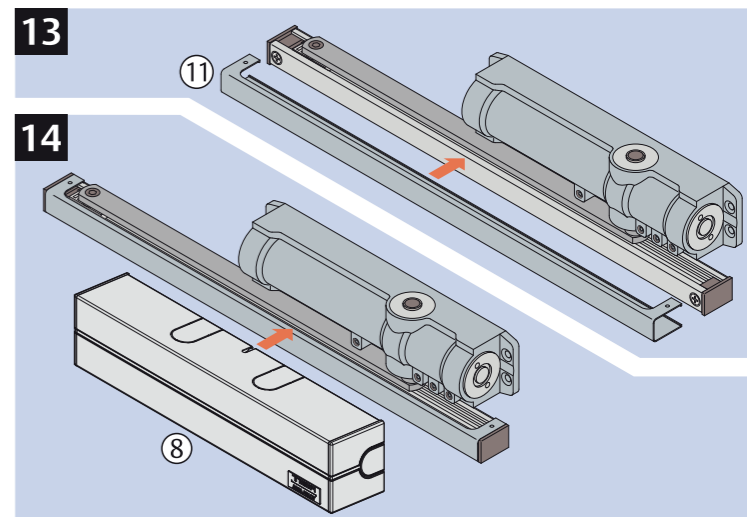
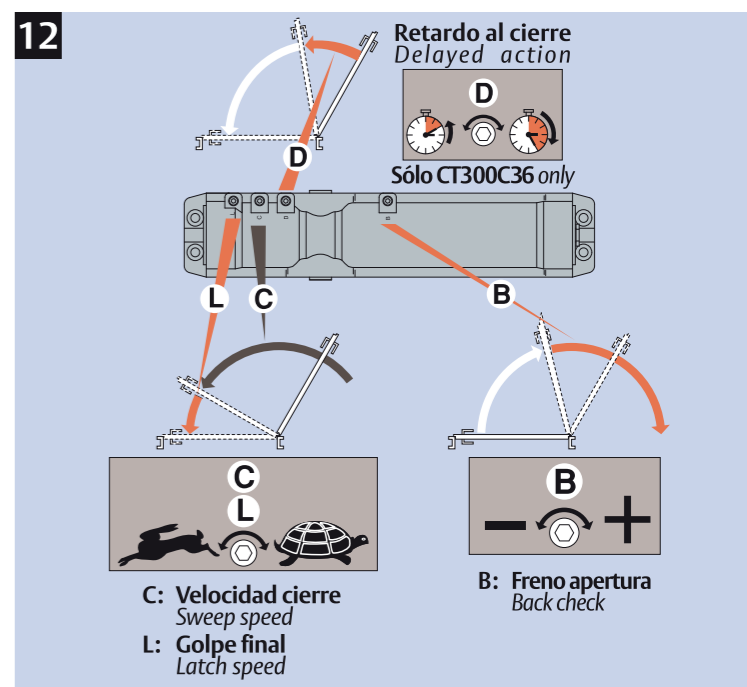
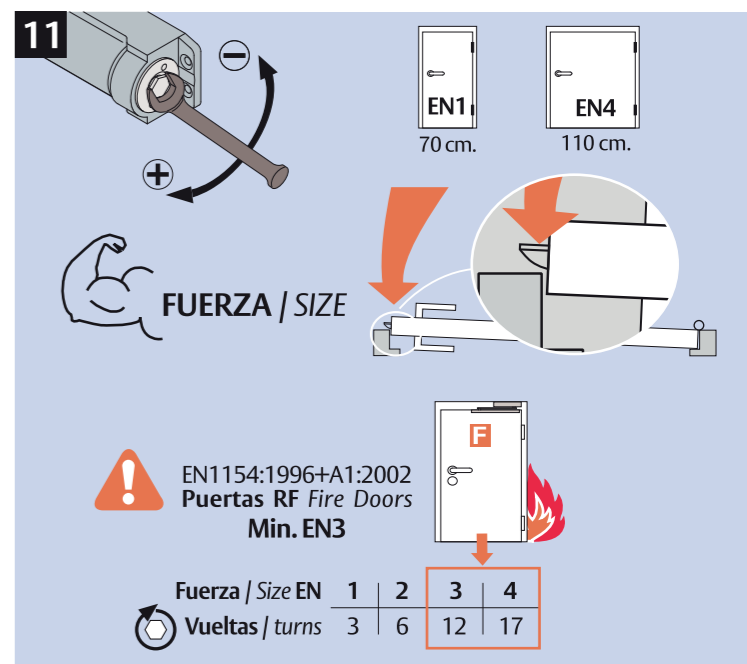
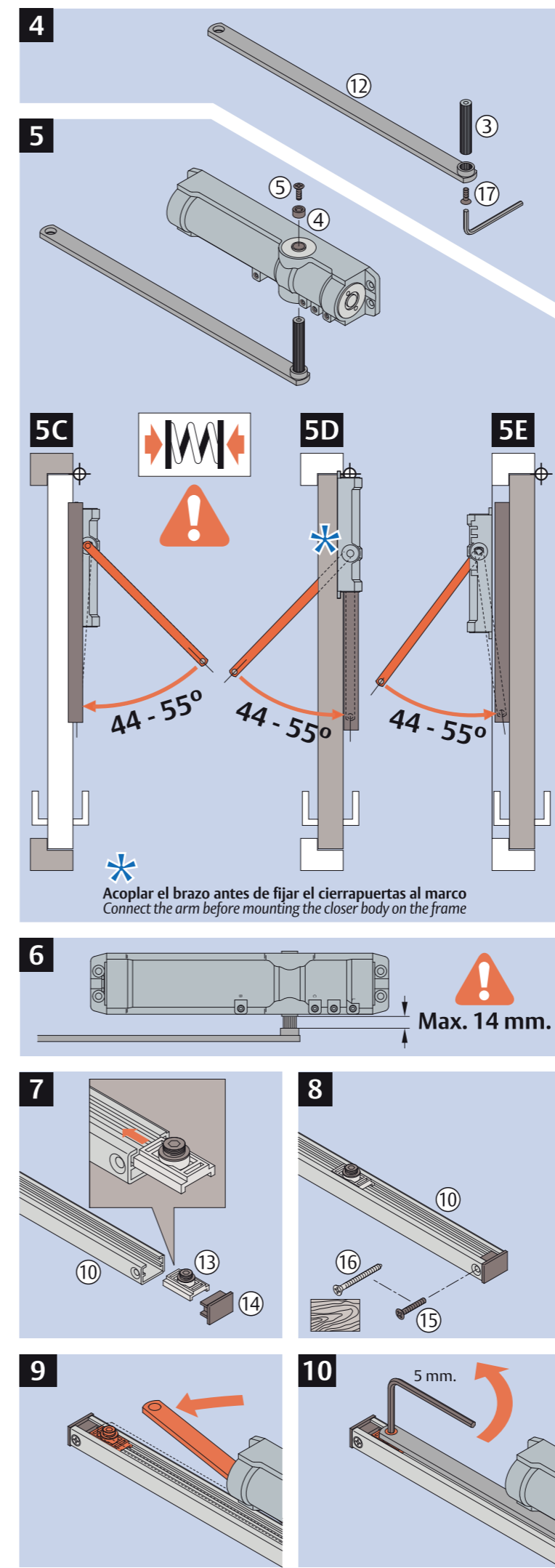
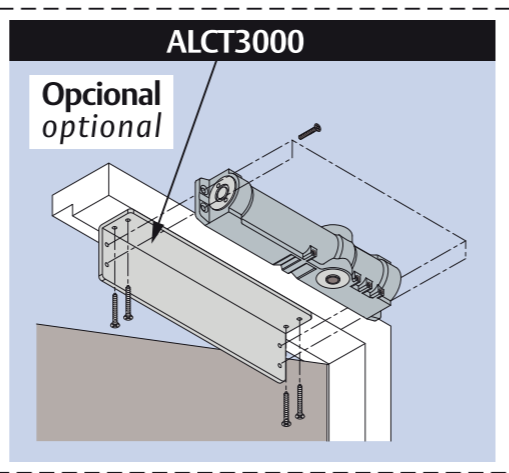
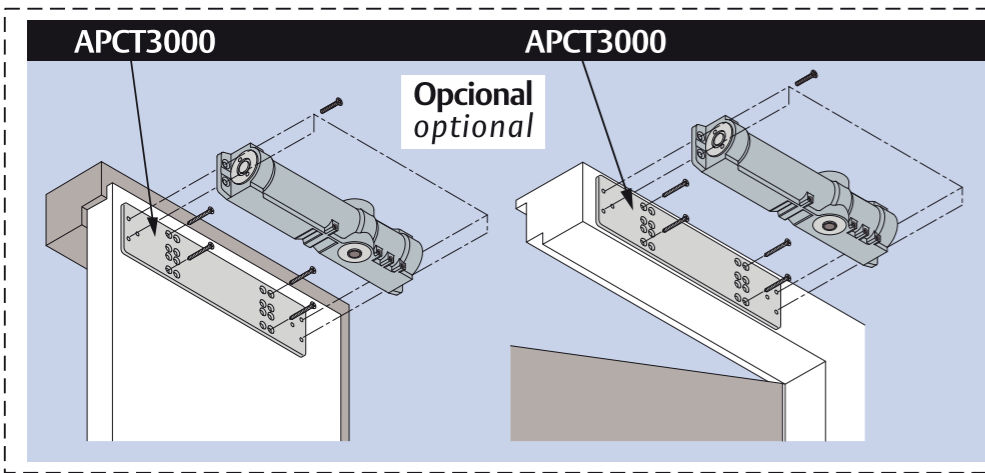
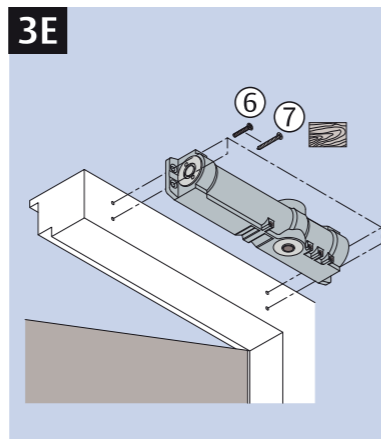
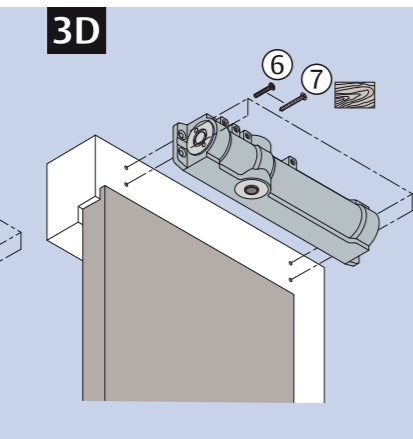
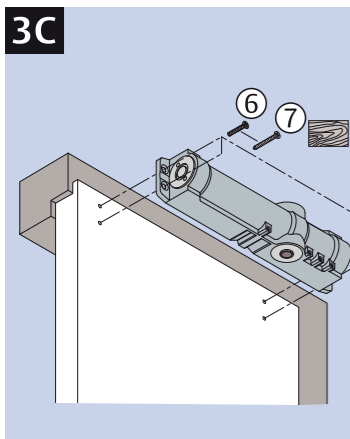
CT300036 - CT300C36 + GD3000-GD300F



ATENCIÓN CAUTION

Connect the arm before mounting the closer body on the frame

Original vs. Copy comparison



CT300036 + GD300F / GD3000:		CT300C36 + GD300F / GD3000:	
CE	Abloy Oy, PO Box 108 80101 Joensuu, Finland	04	13
0432-CPD-0047	EN 1154:1996+A1:2002	4 8 4 1 1 3	1162-CPR-0647
Dangerous substances: None		EN 1154:1996+A1:2002/AC:2006	
		4 8 4 2 1 1 3	
		Dangerous substances: None	