

URBAN Series Handles

NEW

URBAN Series

The URBAN series is a collection of high durability handles that stands out for a design line that emphasizes simplicity in the forms.

It is a range available in zamak or brass, materials traditionally used in the manufacture of fittings, which offer great durability and resistance to corrosion. In other words, these are quality components that ensure greater durability for our handles and allow a high intensity use.

The design, with straight and clean lines, offers a contemporary style that creates unique atmospheres in any room or space.

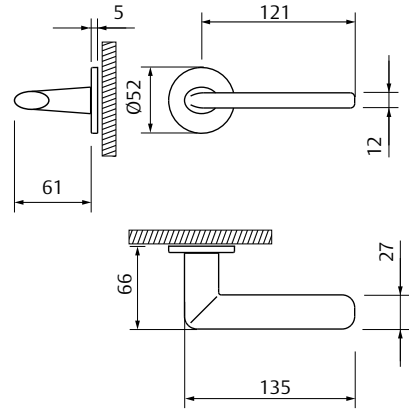
The exclusive 5-year guarantee, both for operation and resistance to corrosion in the entire range, is proof of the confidence we place in this product.

- » Handles tested according to EN1906:2015
- » Category of use: GRADE 2
- » Exceeds 200,000 opening cycles, GRADE 7
- » GRADE 4 resistance to oxidation (240 hours salt spray) according to EN1670:2007.
- » Maximum door thickness 50 mm. Contact us in case of thicker doors.
- » Compatible with locks with positioning of DIN through bolts (38 mm between fixing screw holes).



URBAN Series Handles

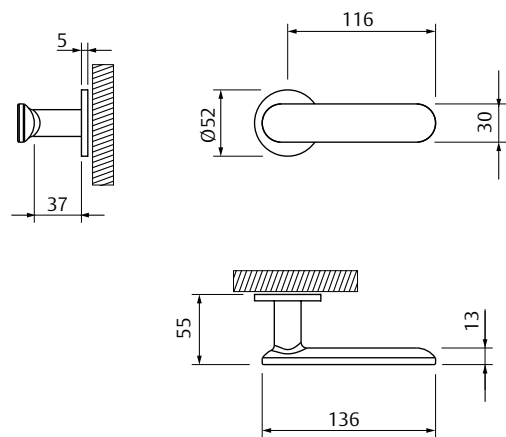
Flat



Model	Product code	Finish
Flat	MFL5R800CR	CR
	MFL5R800CS	CS
	MFL5R800NE	NE

Dimensions (mm)

Plane

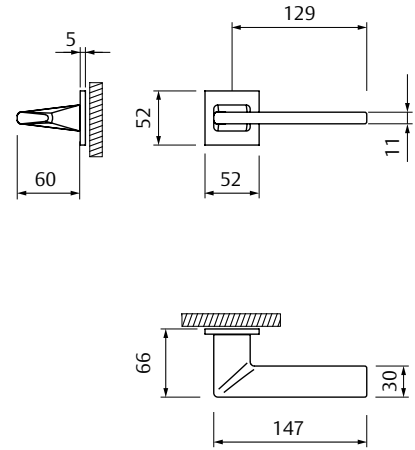


Model	Product code	Finish
Plane	MPL5R800CS	CS
	MPL5R800NE	NE

Dimensions (mm)

URBAN Series Handles

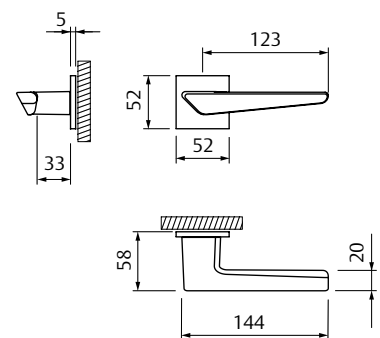
River



Model	Product code	Finish
River	MRI5RC800CS	CS
	MRI5RC800NE	NE

Dimensions (mm)

Sand



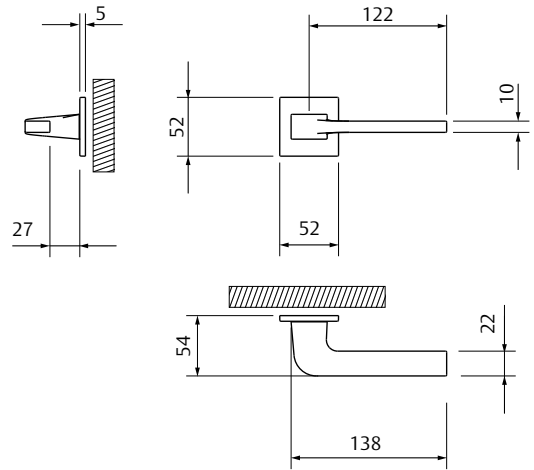
Model	Product code	Finish
Sand	MSA5RC800CS	CS
	MSA5RC800NE	NE

Dimensions (mm)



URBAN Series Handles

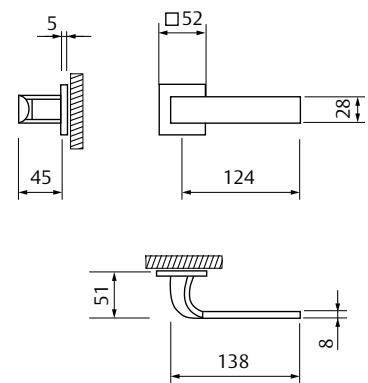
Islandia



Dimensions (mm)

Model	Product code	Finish
Islandia	MIS5RC800CS	CS
	MIS5RC800NE	NE

Radius



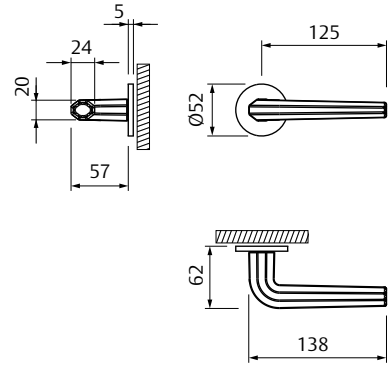
Dimensions (mm)

Model	Product code	Finish
Radius	MRA5RC800CS	CS
	MRA5RC800NE	NE

URBAN Series Handles

Made of solid brass

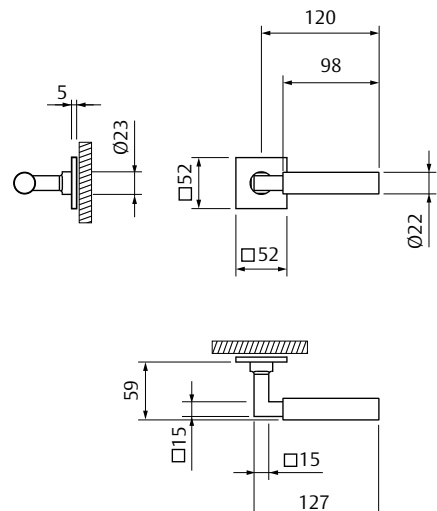
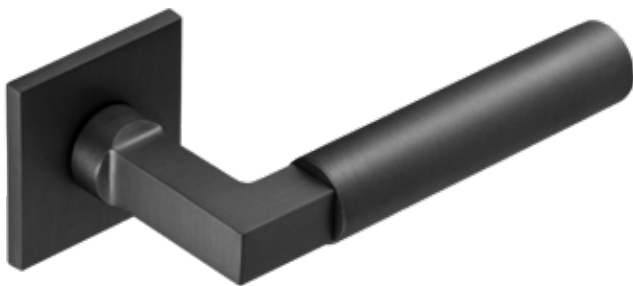
Iceberg



Model	Product code	Finish
Iceberg	MIC5R800CR	CR
	MIC5R800CS	CS
	MIC5R800LP	LP
	MIC5R800NE	NE

Dimensions (mm)

Majal



Model	Product code	Finish
Majal	MMJ5RC800CR	CR
	MMJ5RC800CS	CS
	MMJ5RC800LP	LP
	MMJ5RC800NE	NE

Dimensions (mm)

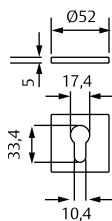


URBAN Series Handles Complements

Square keyhole

The pack includes:

- » A set of supporting pieces and covers. Fixed with 2 through bolts.

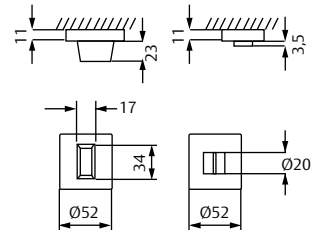


Product code	Finish
MPBOM5SCCR	CR
MPBOM5SCCS	CS
MPBOM5SCLP	LP
MPBOM5SCNE	NE

Square thumbturn

The pack includes:

- » Thumbturn set.
- » Inner brackets fixed with through bolts.
- » Spindle 6x52.

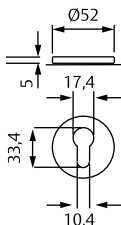


Product code	Finish
MPEME5SCCR	CR
MPEME5SCCS	CS
MPEME5SCLP	LP
MPEME5SCNE	NE

Round keyhole

The pack includes:

- » A set of supporting pieces and covers. Fixed with 2 through bolts.

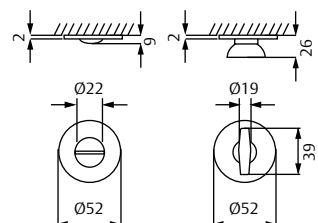


Product code	Finish
MPBOM5SCR	CR
MPBOM5SCS	CS
MPBOM5SLP	LP
MPBOM5SNE	NE

Round thumbturn

The pack includes:

- » Thumbturn set.
- » Inner brackets fixed with through bolts.
- » Spindle 6x52.



Product code	Finish
MPEME5SCR	CR
MPEME5SCS	CS
MPEME5SLP	LP
MPEME5SNE	NE

Round floor stop

The pack includes:

- » Rubber buffer with coach screws for fixing



Finish

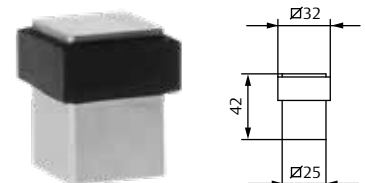
- » CR / CS / LP / NE
- » Ø20

Product code	Finish
TOPER	CR / CS / LP / NE

Square floor stop

The pack includes:

- » Rubber buffer with coach screws for fixing



Finish

- » CR / CS / NE
- » Ø25

Product code	Finish
TOPEC	CR / CS / NE