

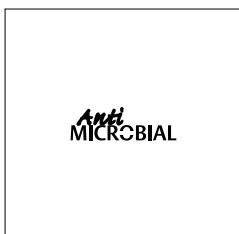
# Institutional handle

## Traffic series

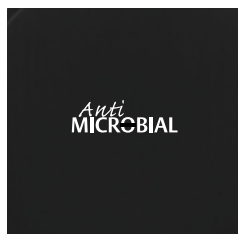
### Finish Guide



AISI316



White (BL)



Black (NE)



Titanium (TI)



Antimicrobial (AM)

All our painted finishes (white, black, and titanium) come with an **antimicrobial coating, exhibiting a bactericidal potency of 95%** against the most common bacteria found in hospitals and geriatric.

**Anti**  
**MICROBIAL**

Certification  
**JIS Z 2801:2000**

#### Laboratories that certify it:

- Tecnalia (*San Sebastian*)
- University of Pavia (*Italy*)
- Law laboratories Ltd. (*England*)
- Sabater Institute (*Barcelona*)
- Chelab Laboratory (*Italy*)
- University of Navarra (*Spain*)

# Institutional handle Traffic series

## Traffic series AISI 316L

In the development of Traffic handles, TESA ASSA ABLOY has applied a totally innovating methodology regarding design for new products. After an intensive market research, the original aesthetics of these handles has been a consequence of the product codes and trends shown by the different actors in the high range and quality handles market.

### Resistance

- » The driving mechanism of the handle is covered by acetate resin which prevents the break of the spring due to corrosion and also guarantees more than 1.00.000 cycles of working order.
- » The springs are compression kind (as shock absorbers in the car) so his hollows are grooved; we achieve like this that the system still works even if in the supposed case of spring breakage due to fatigue.
- » Very high resistance to breakage and free movement as a consequence of the system of springs dragging by nut with two cotter pins.
- » Suitable for RF doors

### Security

- » The mechanism is fixed to the handle and escutcheon through a screw. We remove like this the clip used by all the handles in the market, the most frequent failure that let us with the handle on the hand. This system is like a 'sandwich', all pieces are joined by a special screw (M14x1) that guarantees that we will never keep the handle in the hand.

This handles meet fulfill special, singular and unique benefits concerning **resistance, security, flexibility and high quality materials**. Let's enhance some of them:

### Flexibility

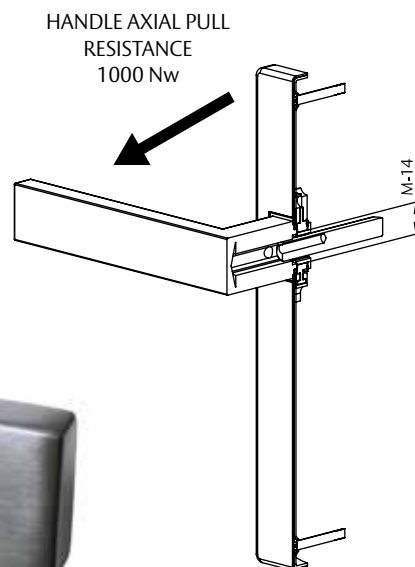
- » The rose models have 8 different crossing points for the coach screws, which makes them compatible with most of the locks in the market. At the same time Kubika and Obbal can be assembled with TESA ASSA ABLOY antipanic exit devices ranges Universal, Push and Top.
- » Easy to reverse that helps converting simply one right handle into left handle and viceversa.

### High quality materials

- » This handles are manufactured in AISI 316L stainless steel, also known as 'marine steel' due to his excellent behavior in aggressive and saline environments.
- » Austenitic molybdenum steel with a low carbon content (18% chromium, 11% nickel, 2% molybdenum). Molybdenum protects stainless steel from pitting corrosion, common in industrial and nearshore environments.
- » Finishes: All Traffic handles are available in IS16, Black and Antimicrobial finishes.



☀️ "HEAVY DUTY"



# Traffic series

Roseta



Placa larga



Placa cuadrada



Sena-l



Vector-l



Cubo-l



Xara-l



Zafira-l



Hamat-l



Tundra



# Institutional stainless Traffic series

## Sena-I Inox AISI 316L

### The pack with a rosette includes

- » A set of handles with an internal plate and a cover, 1 8x105 mm spindle, 2 recoil springs, 4 coach screws, 2 bolts and an Allen key.

### The pack with a long plate includes

- » A set of handles with an internal plate and a cover, a 8x105 mm spindle, 2 recoil springs, 4 coach screws, 2 bolts and an Allen key, 2 floating through bolts.

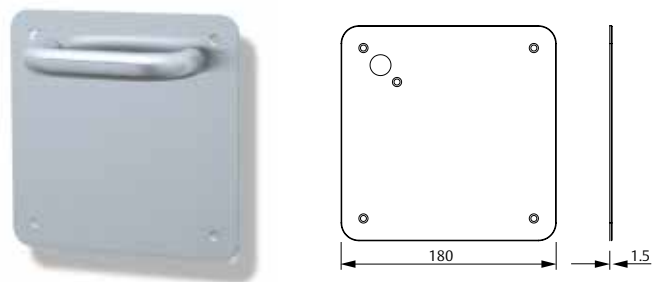
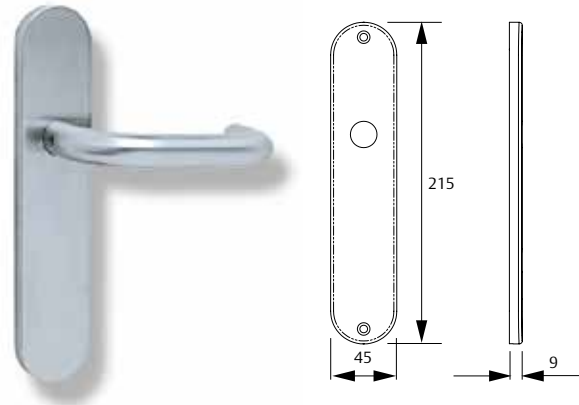
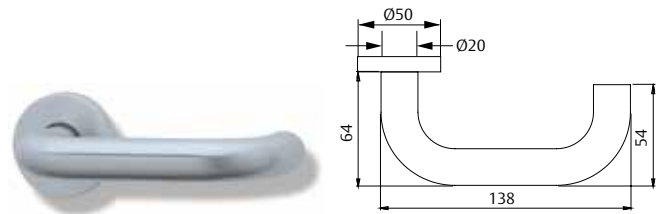
### The pack with a squared plate includes

- » A set of handles with a 1'5 mm-thick internal plate and a cover, a 8x105 mm spindle, 2 recoil springs, 5 floating through bolts, 5 screws, 2 bolts and an Allen key.

### Functions

- » Entrance: keyhole at 85, 72, 70 and 47 mm.
- » Privacy: deadbolt at 85, 72, 70 and 47 mm.
- » Passage.

Rosette	Product code	Finish
Rosette	MSI5R800	IS16
Long plate	Product code	Finish
Passage	MSI5L800	IS16
Cylinder at 47 mm	MSI0L847	IS16
Cylinder at 70 mm	MSI0L870	IS16
Cylinder at 72 mm	MSI0L872	IS16
Cylinder at 85 mm	MSI0L885	IS16
Deadbolt at 47 mm	MSI0L847	IS16
Deadbolt at 70 mm	MSI0L870	IS16
Deadbolt at 72 mm	MSI0L872	IS16
Deadbolt at 85 mm	MSI0L885	IS16
Square plate	Product code	Finish
Passage	MSI5C800	IS16
Cylinder at 47 mm	MSI0C847	IS16
Cylinder at 70 mm	MSI0C870	IS16
Cylinder at 72 mm	MSI0C872	IS16
Cylinder at 85 mm	MSI0C885	IS16
Deadbolt at 47 mm	MSI3C847	IS16
Deadbolt at 70 mm	MSI3C870	IS16
Deadbolt at 72 mm	MSI3C872	IS16
Deadbolt at 85 mm	MSI3C885	IS16



Finish options (page 18)  
IS16, BL, NE, TI, AM



# Institutional handle Traffic series

## Vector-I Inox AISI 316L

### The pack with a rosette includes

- » A set of handles with an internal plate and a cover,  
1 8x105 mm spindle, 2 recoil springs, 4 coach screws,  
2 bolts and an Allen key.

### The pack with a long plate includes

- » A set of handles with an internal plate and a cover, a  
8x105 mm spindle, 2 recoil springs, 4 coach screws,  
2 bolts and an Allen key, 2 floating through bolts.

### The pack with a squared plate includes

- » A set of handles with a 1'5 mm-thick internal plate and  
a cover, a 8x105 mm spindle, 2 recoil springs, 5 floating  
through bolts, 5 screws, 2 bolts and an Allen key.

### Functions

- » Entrance: keyhole at 85, 72, 70 and 47 mm.
- » Privacy: deadbolt at 85, 72, 70 and 47 mm.
- » Passage.

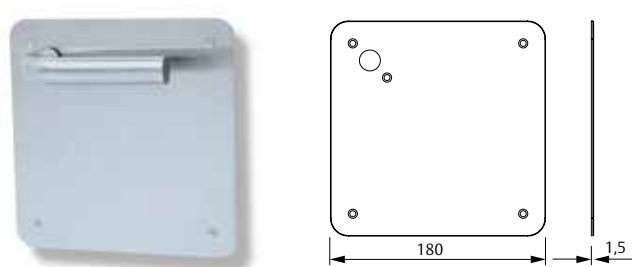
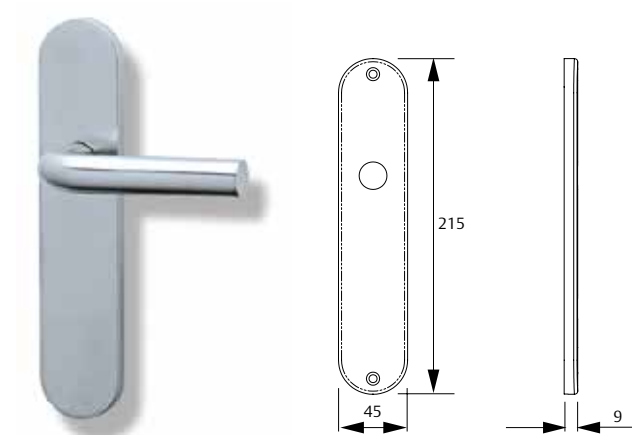
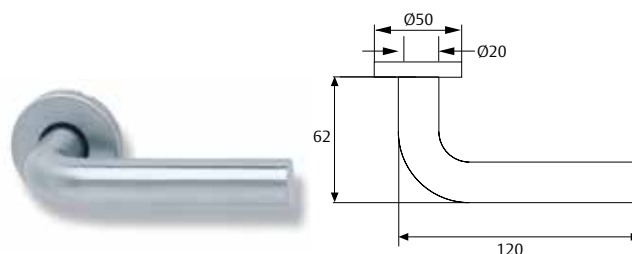
Rosette	Product code	Finish
Rosette	MV5R800	IS16
Rosette 1/2 Fixed knob + 1/2 vector	MVTFR800	IS16

Long plate	Product code	Finish
Passage	MV5L800	IS16
Cylinder at 47 mm	MV0L847	IS16
Cylinder at 70 mm	MV0L870	IS16
Cylinder at 72 mm	MV0L872	IS16
Cylinder at 85 mm	MV0L885	IS16
Deadbolt at 47 mm	MVEL847	IS16
Deadbolt at 70 mm	MVEL870	IS16
Deadbolt at 72 mm	MVEL872	IS16
Deadbolt at 85 mm	MVEL885	IS16

Square plate	Product code	Finish
Passage	MV5C800	IS16
Cylinder at 47 mm	MV0C847	IS16
Cylinder at 70 mm	MV0C870	IS16
Cylinder at 72 mm	MV0C872	IS16
Cylinder at 85 mm	MV0C885	IS16
Deadbolt at 47 mm	MV3C847	IS16
Deadbolt at 70 mm	MV3C870	IS16
Deadbolt at 72 mm	MV3C872	IS16
Deadbolt at 85 mm	MV3C885	IS16

Finish options (page 18)

IS16, BL, NE, TI, AM



# Institutional handle

## Traffic series

### Cubo-I Inox AISI 316L

#### The pack with a rosette includes

- » A set of handles with an internal plate and a cover, a 8x105 mm spindle, 2 recoil springs, 4 coach screws, 2 through bolts, 2 bolts and an Allen key.

#### The pack with a long plate includes

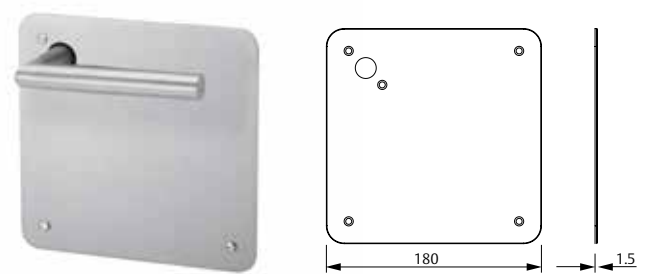
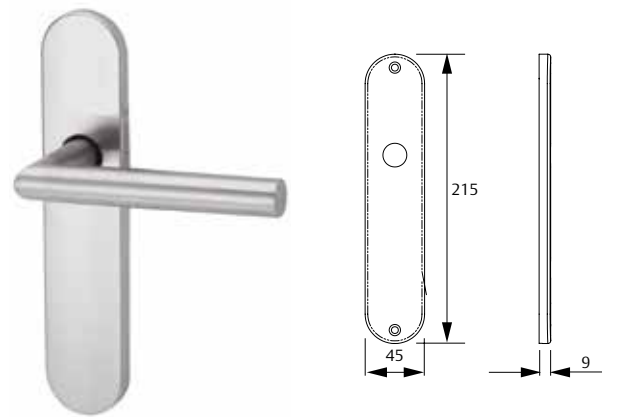
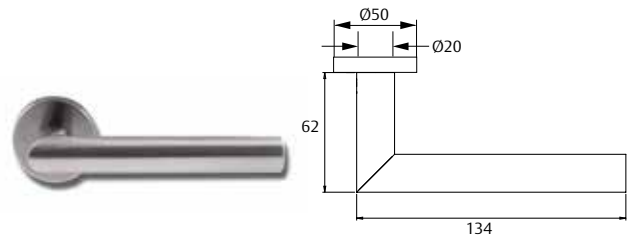
- » A set of handles with an internal plate and a cover, a 8x105 mm spindle, 2 through bolts, 2 recoil springs, 4 coach screws, 2 bolts and an Allen key, 2 floating through bolts.

#### The pack with a squared plate includes

- » A set of handles with a 1'5 mm-thick internal plate and a cover, a 8x105 mm spindle, 2 recoil springs, 4 through bolts, 4 screws, 2 bolts and an Allen key.

#### Functions

- » Entrance: keyhole at 85, 72, 70 and 47 mm.
- » Privacy: deadbolt at 85, 72, 70 and 47 mm.
- » Passage.



Rosette	Product code	Finish
Rosette	MCI5R800	IS16
Long plate	Product code	Finish
Passage	MCI5L800	IS16
Cylinder at 47 mm	MCI0L847	IS16
Cylinder at 70 mm	MCI0L870	IS16
Cylinder at 72 mm	MCI0L872	IS16
Cylinder at 85 mm	MCI0L885	IS16
Deadbolt at 47 mm	MCIEL847	IS16
Deadbolt at 70 mm	MCIEL870	IS16
Deadbolt at 72 mm	MCIEL872	IS16
Deadbolt at 85 mm	MCIEL885	IS16
Squared plate	Product code	Finish
Passage	MCI5C800	IS16
Cylinder at 47 mm	MCI0C847	IS16
Cylinder at 70 mm	MCI0C870	IS16
Cylinder at 72 mm	MCI0C872	IS16
Cylinder at 85 mm	MCI0C885	IS16
Deadbolt at 47 mm	MCI3C847	IS16
Deadbolt at 70 mm	MCI3C870	IS16
Deadbolt at 72 mm	MCI3C872	IS16
Deadbolt at 85 mm	MCI3C885	IS16

Finish options (page 18)  
IS16, BL, NE, TI, AM



# Institutional handle

## Traffic series

### Xara-I Inox AISI 316L

#### The pack with a rosette includes

- » A set of handles with an internal plate and a cover, a 8x105 mm spindle, 2 recoil springs, 4 coach screws, 2 bolts and an Allen key.

#### The pack with a long plate includes

- » A set of handles with an internal plate and a cover, a 8x105 mm spindle, 2 recoil springs, 4 coach spindle, 2 bolts and an Allen key, 2 floating through bolts.

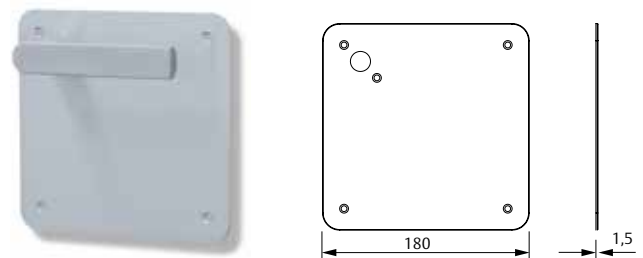
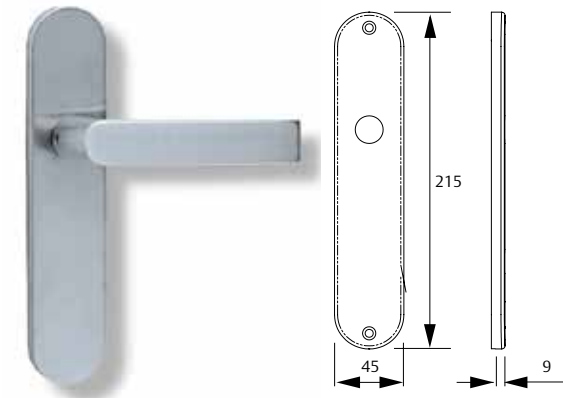
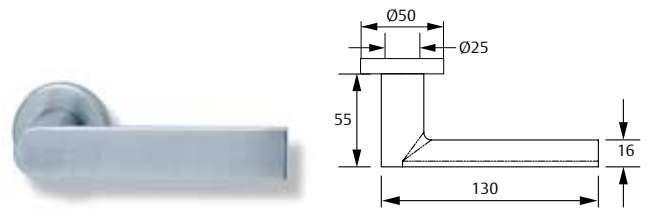
#### The pack with a squared plate includes

- » A set of handles with a 1'5 mm-thick internal plate and a cover, a 8x105 mm square, 2 recoil springs, 5 floating through bolts, 5 screws, 2 bolts and an Allen key.

#### Functions

- » Entrance: keyhole at 85, 72, 70 and 47 mm.
- » Privacy: deadbolt at 85, 72, 70 and 47 mm.
- » Passage.

Rosette	Product code	Finish
Rosette	MX5R800	IS16
Long plate	Product code	Finish
Passage	MX5L800	IS16
Cylinder at 47 mm	MX0L847	IS16
Cylinder at 70 mm	MX0L870	IS16
Cylinder at 72 mm	MX0L872	IS16
Cylinder at 85 mm	MX0L885	IS16
Deadbolt at 47 mm	MXEL847	IS16
Deadbolt at 70 mm	MXEL870	IS16
Deadbolt at 72 mm	MXEL872	IS16
Deadbolt at 85 mm	MXEL885	IS16
Square plate	Product code	Finish
Passage	MX5C800	IS16
Cylinder at 47 mm	MX0C847	IS16
Cylinder at 70 mm	MX0C870	IS16
Cylinder at 72 mm	MX0C872	IS16
Cylinder at 85 mm	MX0C885	IS16
Deadbolt at 47 mm	MX3C847	IS16
Deadbolt at 70 mm	MX3C870	IS16
Deadbolt at 72 mm	MX3C872	IS16
Deadbolt at 85 mm	MX3C885	IS16



Finish options (page 18)  
IS16, BL, NE, TI, AM

# Institutional handle

## Traffic series

### Zafira-I Inox AISI 316L

#### The pack with a rosette includes

- » A set of handles with an internal plate and a cover, a 8x105 mm spindle, 2 recoil springs, 4 coach screws, 2 bolts and an Allen key.

#### The pack with a long plate includes

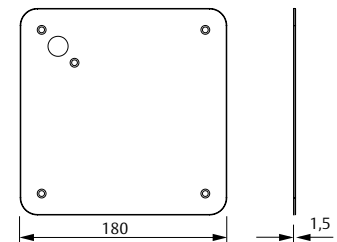
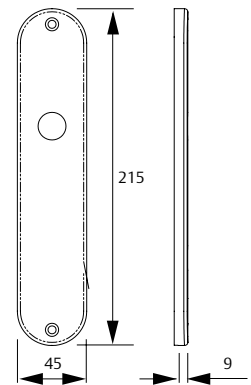
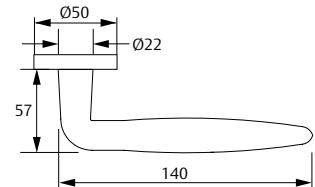
- » A set of handles with an internal plate and a cover, a 8x105 mm spindle, 2 recoil springs, 4 coach screws, 2 bolts and an Allen key, 2 floating through bolts.

#### The pack with a squared plate includes

- » A set of handles with a 1'5 mm-thick internal plate and a cover, a 8x105 mm spindle, 2 recoil springs, 5 floating through bolts, 5 screws, 2 bolts and an Allen key.

#### Functions

- » Entrance: keyhole at 85, 72, 70 and 47 mm.
- » Privacy: deadbolt at 85, 72, 70 and 47 mm.
- » Passage.



Rosette	Product code	Finish
Rosette	MZ5R800	IS16
Long plate	Product code	Finish
Passage	MZ5L800	IS16
Cylinder at 47 mm	MZ0L847	IS16
Cylinder at 70 mm	MZ0L870	IS16
Cylinder at 72 mm	MZ0L872	IS16
Cylinder at 85 mm	MZ0L885	IS16
Deadbolt at 47 mm	MZEL847	IS16
Deadbolt at 70 mm	MZEL870	IS16
Deadbolt at 72 mm	MZEL872	IS16
Deadbolt at 85 mm	MZEL885	IS16
Square plate	Product code	Finish
Passage	MZ5C800	IS16
Cylinder at 47 mm	MZ0C847	IS16
Cylinder at 70 mm	MZ0C870	IS16
Cylinder at 72 mm	MZ0C872	IS16
Cylinder at 85 mm	MZ0C885	IS16
Deadbolt at 47 mm	MZ3C847	IS16
Deadbolt at 70 mm	MZ3C870	IS16
Deadbolt at 72 mm	MZ3C872	IS16
Deadbolt at 85 mm	MZ3C885	IS16

Finish options (page 18)  
IS16, BL, NE, TI, AM





# Institutional handle Traffic series

## Hamat-I Inox AISI 316L

### The pack with a rosette includes

- » A set of handles with an internal plate and a cover, a 8x105 mm spindle, 2 recoil springs, 2 coach screws, 2 bolts and an Allen key.

### The pack with a long plate includes

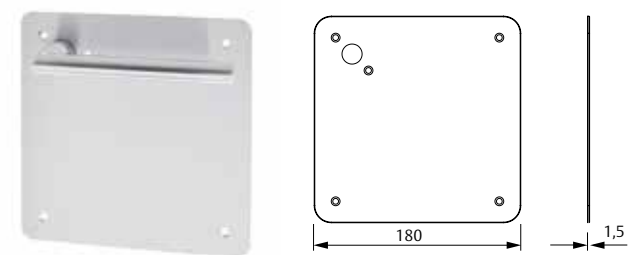
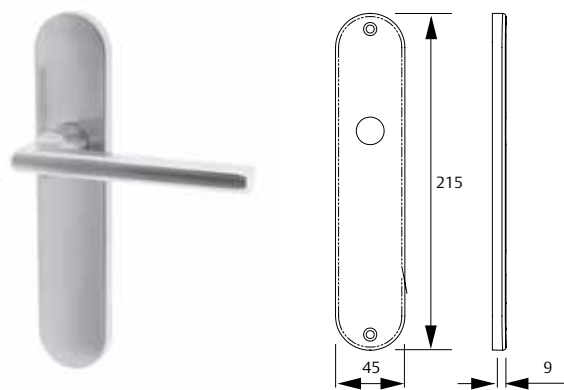
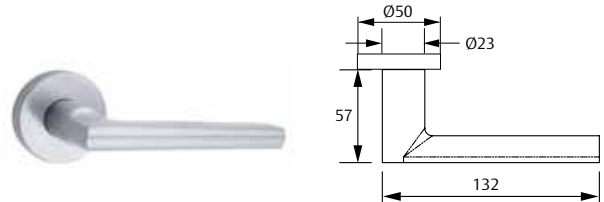
- » A set of handles with an internal plate and a cover, a 8x105 mm spindle, 2 recoil springs, 2 coach screws, 2 bolts and an Allen key, 2 floating through bolts.

### The pack with a squared plate includes

- » A set of handles with a 1'5 mm-thick internal plate and a cover, a 8x105 mm spindle, 2 recoil springs, 5 floating through bolts, 5 screws, 2 bolts and an Allen key.

### Functions

- » Entrance: keyhole at 85, 72, 70 and 47 mm.
- » Privacy: deadbolt at 85, 72, 70 and 47 mm.
- » Passage.



Rosette	Product code	Finish
Rosette	MHA5R800	IS16
Long plate	Product code	Finish
Passage	MHA5L800	IS16
Cylinder at 47 mm	MHA0L847	IS16
Cylinder at 70 mm	MHA0L870	IS16
Cylinder at 72 mm	MHA0L872	IS16
Cylinder at 85 mm	MHA0L885	IS16
Deadbolt at 47 mm	MHAEL847	IS16
Deadbolt at 70 mm	MHAEL870	IS16
Deadbolt at 72 mm	MHAEL872	IS16
Deadbolt at 85 mm	MHAEL885	IS16
Square plate	Product code	Finish
Passage	MHA5C800	IS16
Cylinder at 47 mm	MHA0C847	IS16
Cylinder at 70 mm	MHA0C870	IS16
Cylinder at 72 mm	MHA0C872	IS16
Cylinder at 85 mm	MHA0C885	IS16
Deadbolt at 47 mm	MHA3C847	IS16
Deadbolt at 70 mm	MHA3C870	IS16
Deadbolt at 72 mm	MHA3C872	IS16
Deadbolt at 85 mm	MHA3C885	IS16

Finish options (page 18)  
IS16, BL, NE, TI, AM

# Institutional handle Traffic series

## Tundra Inox AISI 316L

### The pack with a rosette includes

- » A set of handles with an internal plate and a cover, a 8x105 mm spindle, 2 recoil springs, 4 coach screws, 2 through bolts, 2 bolts and an Allen key.

### The pack with a long plate includes

- » A set of handles with an internal plate and a cover, a 8x105 mm spindle, 2 through bolts, 2 recoil springs, 4 coach screws, 2 bolts and an Allen key, 2 floating through bolts.

### The pack with a squared plate includes

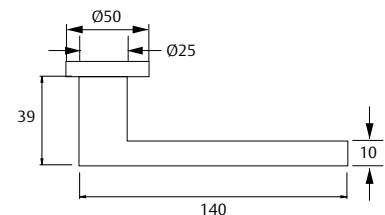
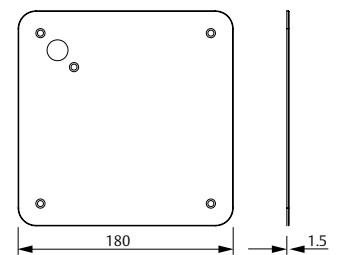
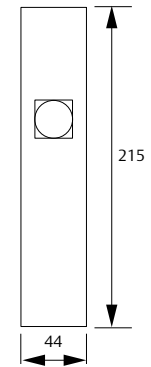
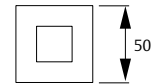
- » A set of handles with a 1'5 mm-thick internal plate and a cover, a 8x105 mm spindle, 2 recoil springs, 4 through bolts, 4 screws, 2 bolts and an Allen key.

### Functions

- » Entrance: keyhole at 85, 72, 70 and 47 mm.
- » Privacy: deadbolt at 85, 72, 70 and 47 mm.
- » Passage.

Squared rosette	Product code	Finish
	MTU5R800	IS16
Long plate	Product code	Finish
Passage	MTU5L800	IS16
Cylinder at 47 mm	MTU0L847	IS16
Cylinder at 70 mm	MTU0L870	IS16
Cylinder at 72 mm	MTU0L872	IS16
Cylinder at 85 mm	MTU0L885	IS16
Deadbolt at 47 mm	MTUEL847	IS16
Deadbolt at 70 mm	MTUEL870	IS16
Deadbolt at 72 mm	MTUEL872	IS16
Deadbolt at 85 mm	MTUEL885	IS16
Placa cuadrada	Product code	Finish
Passage	MTU5C800	IS16
Cylinder at 47 mm	MTU0C847	IS16
Cylinder at 70 mm	MTU0C870	IS16
Cylinder at 72 mm	MTU0C872	IS16
Cylinder at 85 mm	MTU0C885	IS16
Deadbolt at 47 mm	MTU3C847	IS16
Deadbolt at 70 mm	MTU3C870	IS16
Deadbolt at 72 mm	MTU3C872	IS16
Deadbolt at 85 mm	MTU3C885	IS16

Finish options (page 18)  
IS16, BL, NE, TI, AM



# Institutional handle

## Traffic series

### Knob Inox AISI 316L

#### Functions

- » Entrance: keyhole at 85, 72, 70 and 47 mm.
- » Privacy: deadbolt at 85, 72, 70 and 47 mm.
- » Passage.

Rosette	Product code	Description
½ Rosette	MMTFR800IS16	1/2 fixed knob
Rosette	MTF5R800IS16	Double fixed knob
½ Rosette	MMTGR800IS16	1/2 rotary knob
Rosette	MTGR800IS16	Double rotary knob

Rosette + handle	Product code	Description
Rosette	MSTFR800IS16	1/2 fixed knob+Sena
Rosette	MVTFR800IS16	1/2 fixed knob+Vector

Long plate	Product code	Description
Long plate	TTF5L800IS16	Double fixed knob passage**
Long plate	MSTF872IS16	Sena+fixed knob cyl.72
Long plate	MSTF885IS16	Sena+fixed knob cyl.85
Long plate	MSTG872IS16	Sena+rotary knob cyl.72
Long plate	MSTG885IS16	Sena+rotary knob cyl.85
Long plate	MTFEL885IS16	Double fixed knob thumb.85
Long plate	MTFOL885IS16	Double fixed knob cyl.85 *
Long plate	TTFOL885IS16	Double fixed knob cyl.85*

1/2 Knob long plate	Product code	Description
1/2 Knob long plate	TTF800IS16	1/2 fixed knob passage*
1/2 Knob long plate	TTF72IS16	1/2 fixed knob cyl.72
1/2 Knob long plate	TTF85IS16	1/2 fixed knob cyl.85
1/2 Knob long plate	TTF92UIS16	1/2 fixed knob cyl.92
1/2 Knob long plate	TTG72UIS16	1/2 rotary knob cyl.72
1/2 Knob long plate	TTG85UIS16	1/2 rotary knob cyl.85
1/2 Knob long plate	TTG800IS16	1/2 rotary knob passage

Square plate	Product code	Description
Square plate	MT5C800IS16	Set rotary knob passage
Square plate	MT0C885IS16	Set rotary knob cyl.85
Square plate	MT3C885IS16	Set rotary knob thumb.85

\* without studs



Finish options (page 18)  
IS16, BL, NE, TI, AM

# Institutional handle

## Traffic series: complements

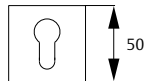
### Round keyhole

**Packaging includes:**

- » A set of supporting pieces and covers.
- » 4 screws.

**Finish**

- » IS16, BL, NE, TI, AM



Product code	Finish
MTUBORBOM	IS16
MTUBORBOM	BL
MTUBORBOM	NE
MTUBORBOM	TI
MTUBORBOM	AM

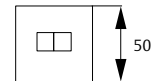
### Square thumb turn

**Packaging includes:**

- » A set of supporting pieces and covers.
- » A 6 x 52 mm spindle
- » 4 screws.

**Finish**

- » IS16, BL, NE, TI, AM



Product code	Finish
MTUBOREME	IS16
MTUBOREME	BL
MTUBOREME	NE
MTUBOREME	TI
MTUBOREME	AM

### Round keyhole

**Packaging includes:**

- » A set of supporting pieces and covers.
- » 4 screws.

**Finish**

- » IS16, BL, NE, TI, AM



Product code	Finish
MBORBOM	IS16
MBORBOM	BL
MBORBOM	NE
MBORBOM	TI
MBORBOM	AM

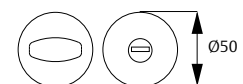
### Round thumb turn

**Packaging includes:**

- » A set of supporting pieces and covers.
- » A 6 x 52 mm spindle
- » 4 screws.

**Finish**

- » IS16, BL, NE, TI, AM



Product code	Finish
MBOREME	IS16
MBOREME	BL
MBOREME	NE
MBOREME	TI
MBOREME	AM

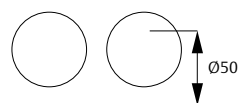
### Blind

**Packaging includes:**

- » A set with support pieces and covers.
- » 4 coach screws.

**Finish**

- » IS16, BL, NE, TI, AM



Product code	Finish
MBOR000	IS16
MBOR000	LP
MBOR000	LM
MBOR000	CR
MBOR000	CM

Product code	Finish
MBOR000	MB
MBOR000	NE
MBOR000	BL
MBOR000	LPD



# Institutional leverset for emergency exits

## Traffic series EN179:2008

### Sena-I 179

#### Main features

- » Up to 200 kg doors
- » Unlock capacity < 70 N
- » Durability 200.000 cycles
- » E Fire resistance (integrity), I (isolation), B grade
- » This product is certified as a set with CF60 (9 mm spindle); 2035T, 2037F and 4039T (8 mm spindle); as well as 2240BA and 2230PA.

Certification EN 179:

3 7 6 B 1 3 2 2 A B

Category of use	Durability	Door mass	Suitability	Safety	Resistance	Security	Projection	Type of operation	Field of application
3	7	6	B	1	3	2	2	A	B
High frequency use	Ggrade 7: 200 000 cycles.	Grade 6: Up to 200kg.	Suitable for use in accordance with EN1634-1.	Safety in use.	Grade 3: 96hr (high resistance)	Grade 2: 1000 N	Projection of device. Grade 2: Projection up to 100 mm)	Emergency device with lever handle operation.	B: outward opening slide exit door only

#### The pack with long plate includes:

- » A set of handles with an internal plate and a cover, a split spindle (8 or 9mm), 2 recoil springs, 6 coach screws, 3 bolts and an Allen key.

Product code	
MSICE0L900IS16	C9, for CF60
MSICE0L972IS16	C9, for CF60
MSICE0L800IS16	C8, for 2035T, 4039T and 2037F
MSICE0L885IS16	C8, for 2035T, 4039T and 2037F

#### The pack with square plate includes:

- » A set of handles with 1,50 thickness square plates, a split spindle (8 or 9mm), 2 recoil springs, 10 coach screws, 5 bolts and an Allen key.

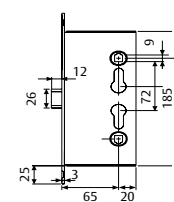
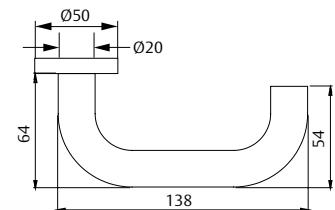
Product code
MSICE5C900IS16
MSICE0C972IS16
MSICE5C800IS16
MSICE0C885IS16

#### The pack with rosette includes:

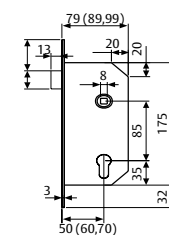
- » A set of handles with an internal plate and a D50 cover, a split spindle (8 or 9mm), 2 recoil springs, 4 coach screws, 2 bolts and an Allen key.

Product code
MSICE5R900IS16
MSICE5R800IS16

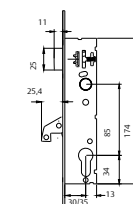
CERTIFICATED TO  
**UNE-EN  
179:2008**



**CF60.** 9 mm follower. Reversible.



**2035T.** 8 mm follower. Handed. No cylinder, for free passing door.  
**2037F.** 8 mm follower reversible (non handed). Valid for outside handle locking cylinder.  
**4039T.** 8 mm follower. Handed. Cylinder required for external door opening.



**2240BA.** Single point. 8mm follower. Handed.  
**2230PA.** Multiple point. 8mm follower. Handed. Solution for single leaf doors only.

# Institutional leverset for emergency exits

## Traffic series EN179:2008

### Cubo-I 179

#### Main features

- » Up to 200 kg doors
- » Unlock capacity < 70 N
- » Durability 200.000 cycles
- » E Fire resistance (integrity), I (isolation), B grade
- » This product is certified as a set with CF60 (9 mm spindle); 2035T, 2037F and 4039T (8 mm spindle); as well as 2240BA and 2230PA.

Certification EN 179: **3 7 6 B 1 3 2 2 A B**

Category of use	Durability	Door mass	Suitability	Safety	Resistance	Security	Projection	Type of operation	Field of application
3	7	6	B	1	3	2	2	A	B
High frequency use	Ggrade 7: 200 000 cycles.	Grade 6: Up to 200kg.	Suitable for use in accordance with EN1634-1.	Safety in use.	Grade 3: 96hr (high resistance)	Grade 2: 1000 N	Projection of device. Grade 2: Projection up to 100 mm)	Emergency device with lever handle operation.	B: outward opening slide exit door only

#### The pack with long plate includes:

- » A set of handles with an internal plate and a cover, a split spindle (8 or 9mm), 2 recoil springs, 6 coach screws, 3 bolts and an Allen key.

Product code	
MSICE0L900IS16	C9, for CF60
MSICE0L972IS16	C9, for CF60
MSICE0L972IS16	C8, for 2035T, 4039T and 2037F
MSICE0L855IS16	C8, for 2035T, 4039T and 2037F

#### The pack with square plate includes:

- » A set of handles with 1,50 thickness square plates, a split spindle (8 or 9mm), 2 recoil springs, 10 coach screws, 5 bolts and an Allen key.

Product code
MCICE5C900IS16
MCICE0C972IS16
MCICE5C800IS16
MCICE0C885IS16

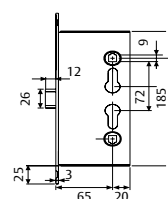
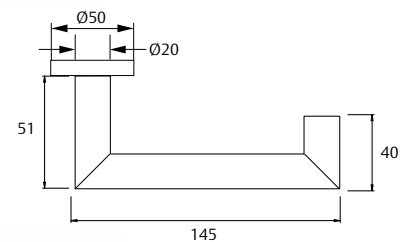
#### The pack with rosette includes:

- » A set of handles with an internal plate and a D50 cover, a split spindle (8 or 9mm), 2 recoil springs, 4 coach screws, 2 bolts and an Allen key.

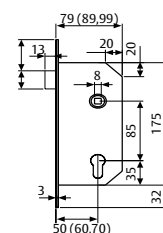
Product code
MCICE5R900IS16
MCICE5R800IS16



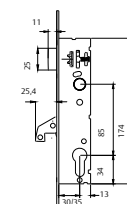
CERTIFICATED TO  
**UNE-EN  
179:2008**



**CF60.** 9 mm follower. Reversible.



**2035T.** 8 mm follower. Handed. No cylinder, for free passing door.  
**2037F.** 8 mm follower reversible (non handed). Valid for outside handle locking cylinder.  
**4039T.** 8 mm follower. Handed. Cylinder required for external door opening.



**2240BA.** Single point. 8mm follower. Handed.  
**2230PA.** Multiple point. 8mm follower. Handed. Solution for single leaf doors only.