

## ABLOY® CYL190 Electromechanical CLIQ key deposit lock

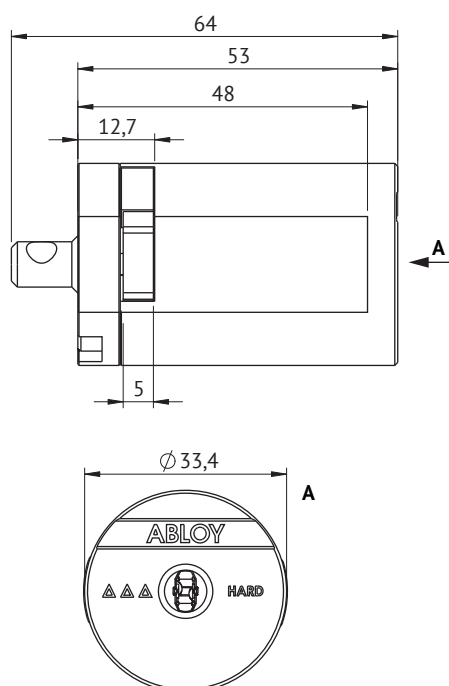
### Product description

Electromechanical CLIQ key deposit lock to be used with a key tube. Key tube is installed to the wall according to instructions and key is inserted in the tube.

Key deposit lock is operated with an electronic CLIQ key.

### Overview of Advantages

- Strong burglary protection
- Efficient solution for fire departments, telecom companies and other operators to securely manage root keys close to important locking points.



### Technical data

Available key systems	ABLOY PROTEC CLIQ, ABLOY PROTEC <sup>2</sup> CLIQ
Available plating options	Satin chrome (HCr)
Usage temperature	-40 .. +85C
Marking	Product is marked in the front facia with position information and/or customer specific marking
Weight	0.325kg

### Cylinder memory

- 1800 authorized key groups and programming keys together, theoretical maximum 65535 keys in each group
- A list of 3000 denied keys
- Audit trail of last 2000 events
- Audit trail of last 20 events from keys in other systems