

## ABLOY® CY510

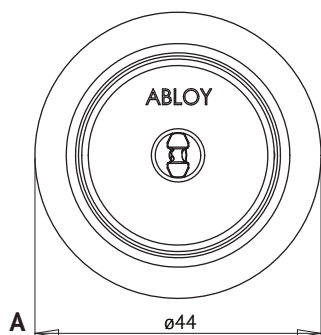
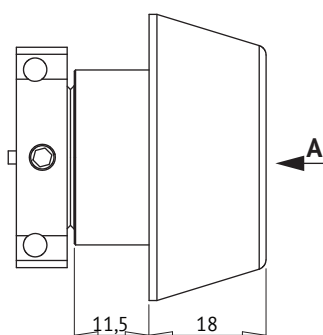
### Cylinder for Japanese locks type Miwa LA



#### Product description

Single cylinder. Used with Japanese type LA locks.

The cylinder can be opened and locked only by a key.



#### Technical data

Available key systems	ABLOY PROTEC, ABLOY PROTEC <sup>2</sup>
Available plating options	CrHa
Cylinder dimensions	44mm x 18mm
Weight	0.28kg

This content is protected by Intellectual Property Rights Laws. The title to the content shall not pass to you, and instead shall remain with Abloy Oy or a third party holding the title. Abloy develops continuously the products and solutions offered. Therefore, the information contained in the document is subject to change without notice. ABLOY PROVIDES THIS CONTENT ON AN "AS IS" BASIS WITHOUT ANY WARRANTIES OF ANY KIND, EXPRESS, IMPLIED, OR STATUTORY."