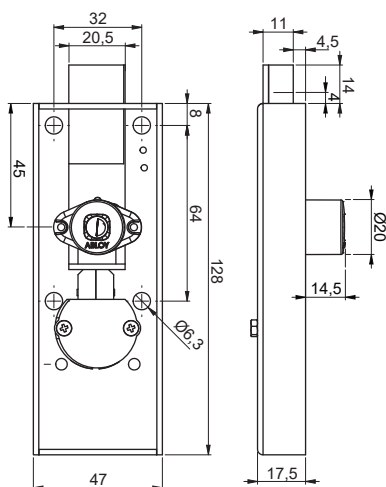


ABLOY® EP310

Time delay lock

Product description

By pressing the lock activation button, the electronic lock will open at the end of the set delay, after which the mechanical lock can be opened. The Electromechanical slider offers a high level security solution for objects that protect money or other valuables. Lock case and latch nickel-plated steel.



Technical data

Available key systems The lock can be combined for door locks.	ABLOY SENTRY
Weight	0,045 kg

This content is protected by Intellectual Property Rights Laws. The title to the content shall not pass to you, and instead shall remain with Abloy Oy or a third party holding the title. Abloy develops continuously the products and solutions offered. Therefore, the information contained in the document is subject to change without notice. ABLOY PROVIDES THIS CONTENT ON AN "AS IS" BASIS WITHOUT ANY WARRANTIES OF ANY KIND, EXPRESS, IMPLIED, OR STATUTORY."

ABLOY