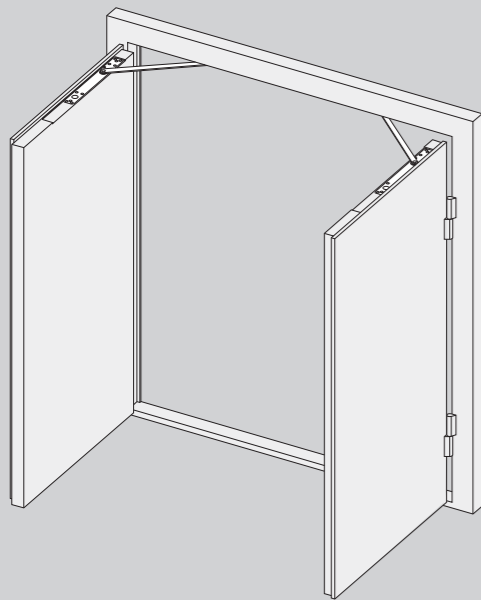


G881
G882
G884

ASSA ABLOY

Installation Instructions

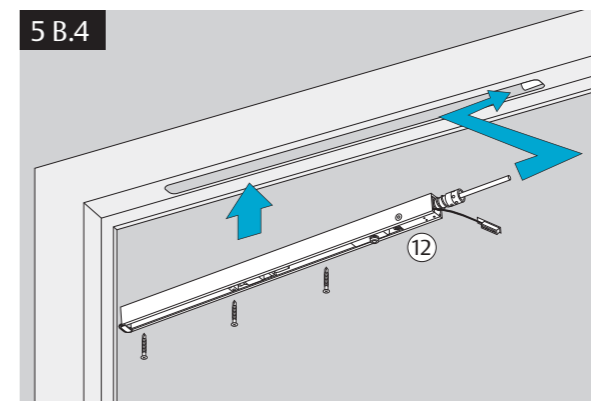
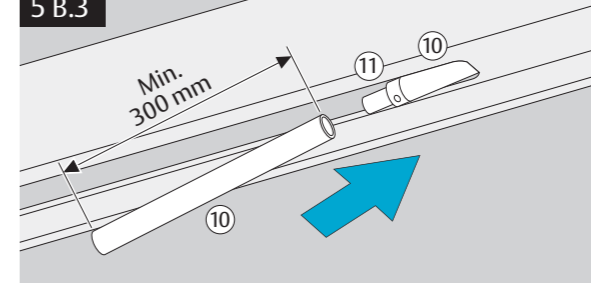
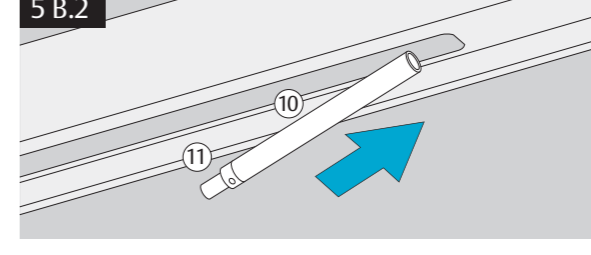
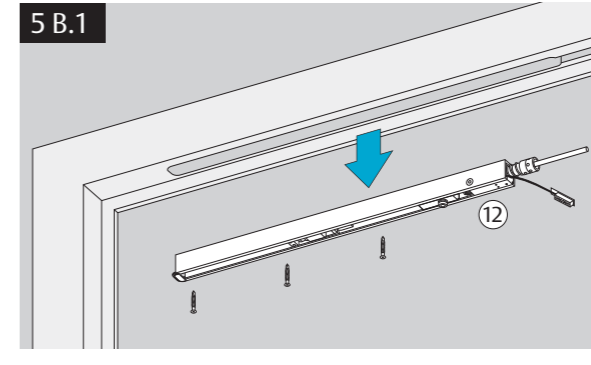
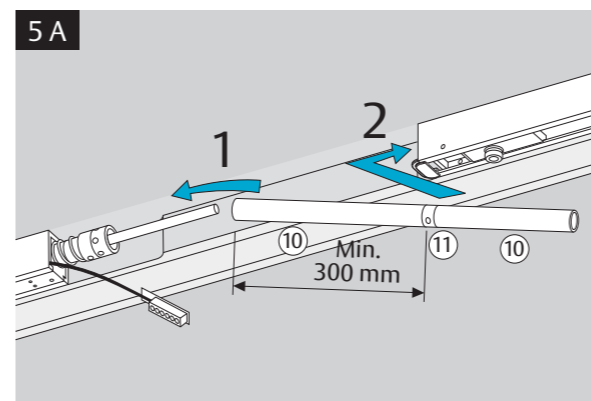
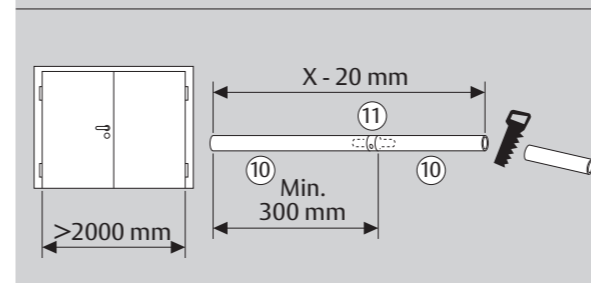
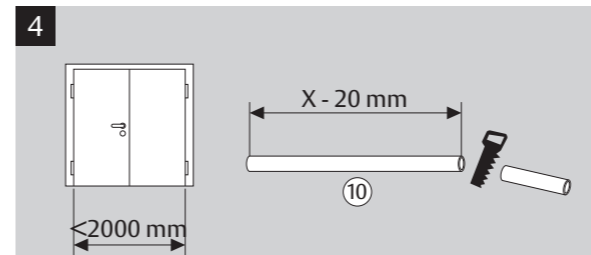
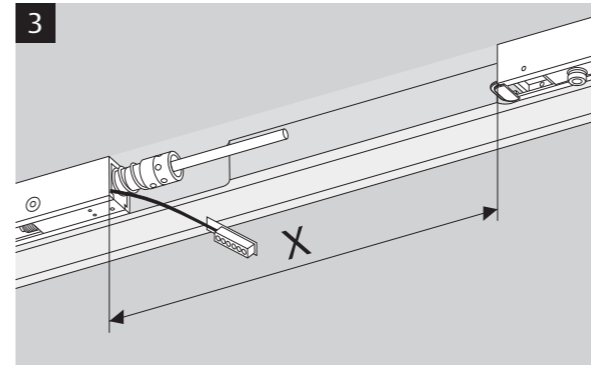
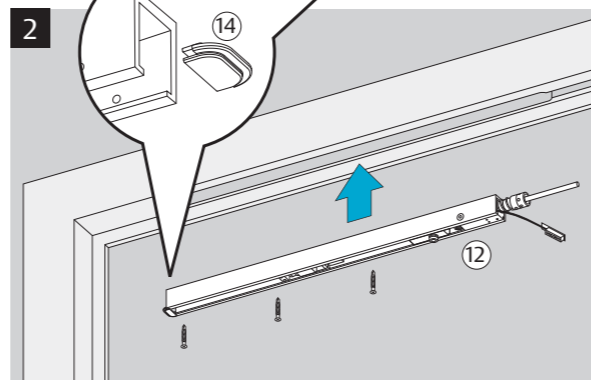
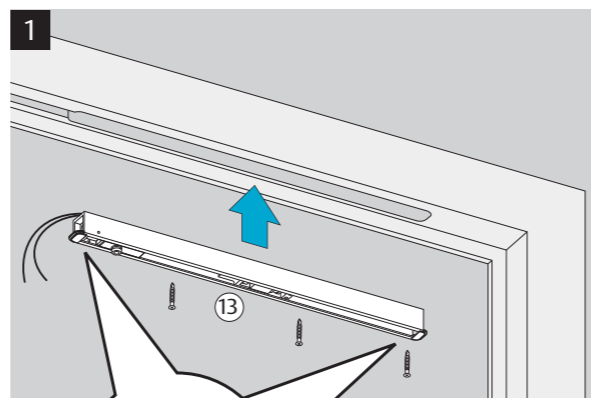
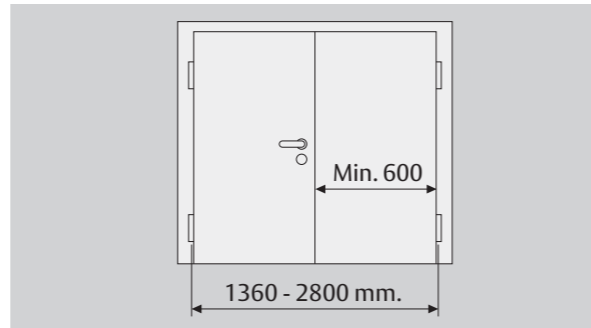
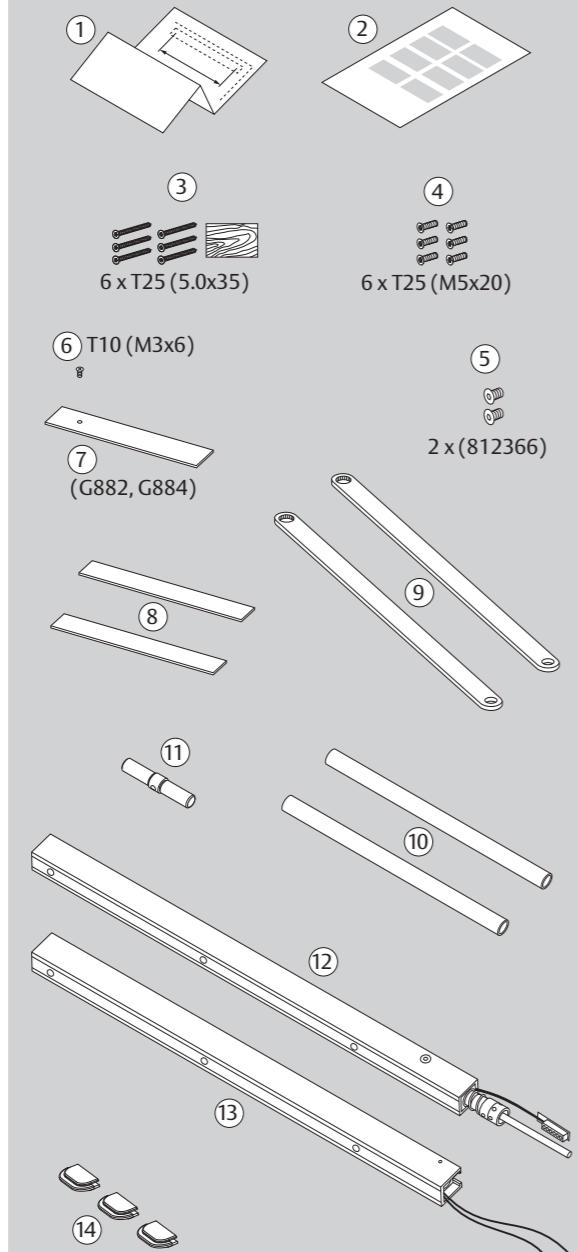
9313777



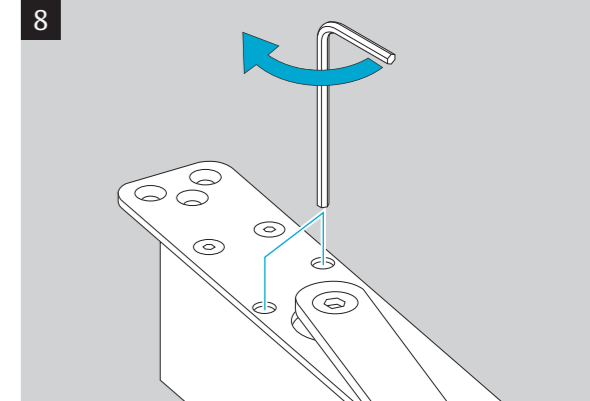
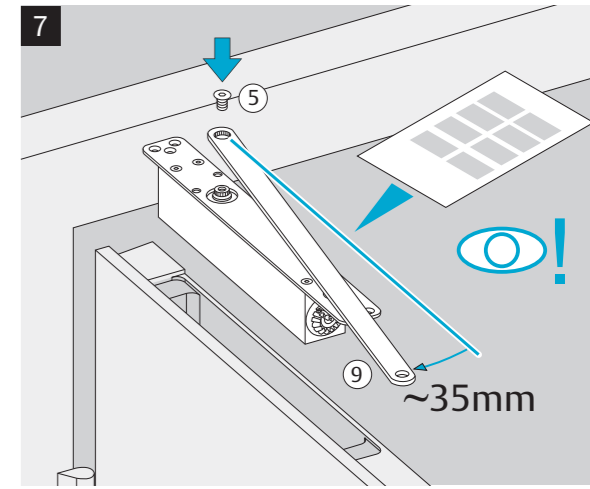
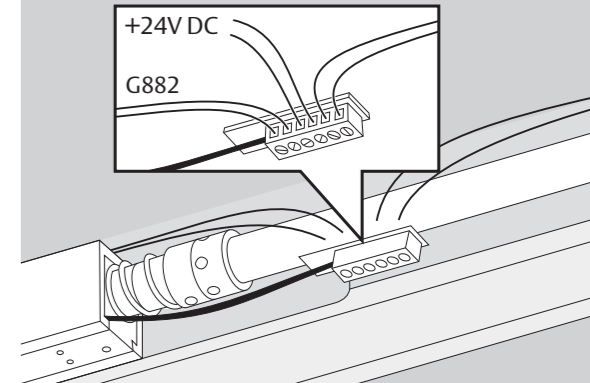
CE 0432	Abloy Oy, PO Box 108 80101 Joensuu, Finland	09
	G881	EN 1158:1997/A1:2002/AC:2006 0432-CPR-00008-04.01

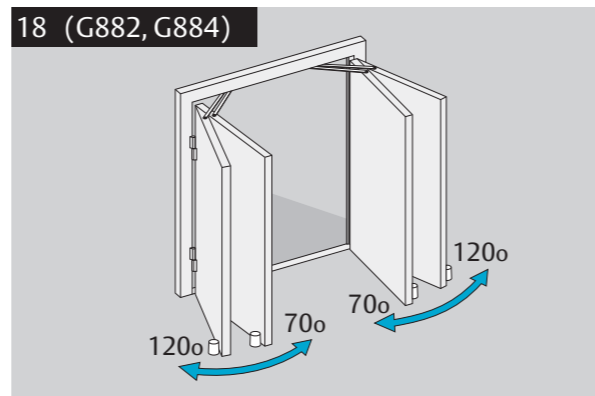
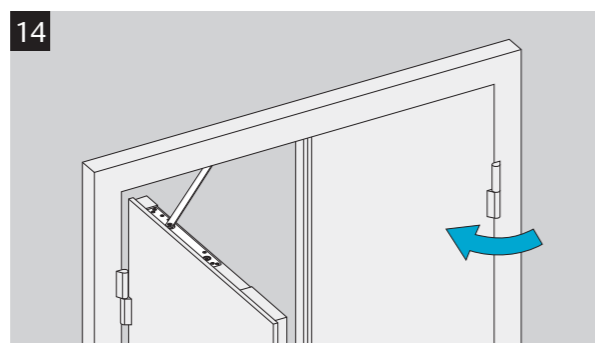
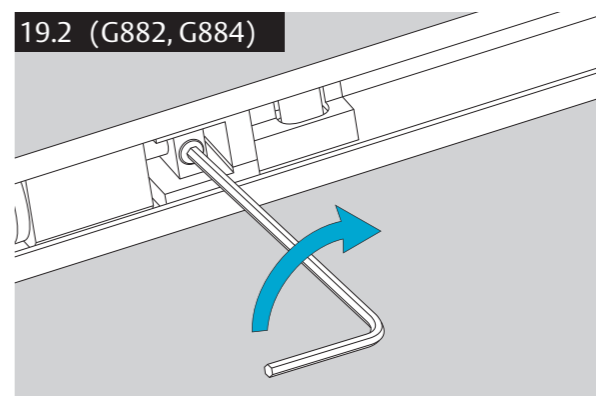
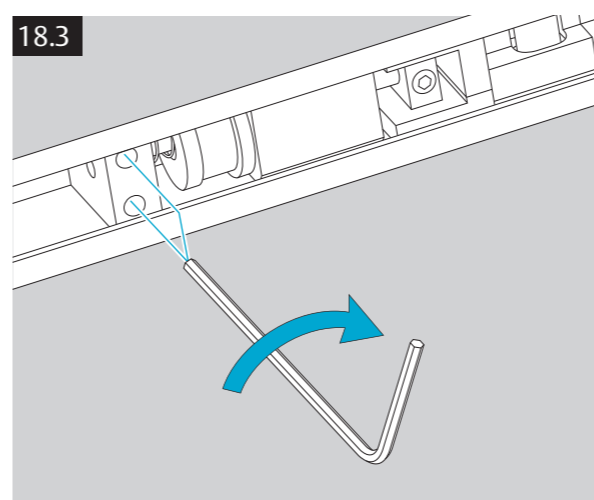
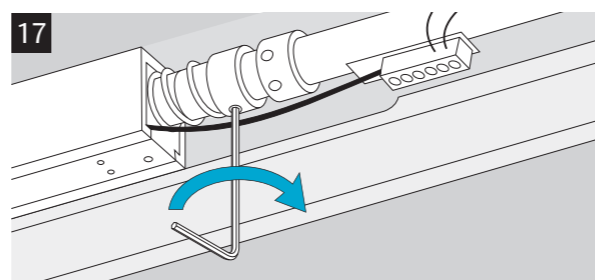
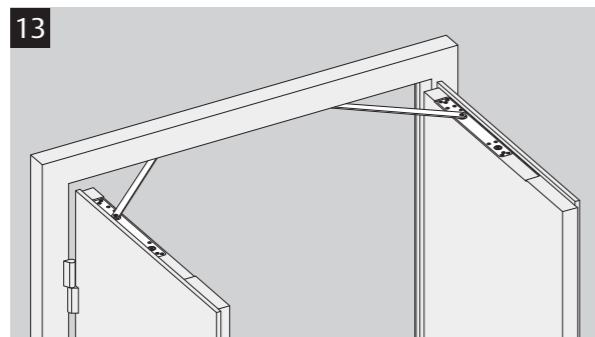
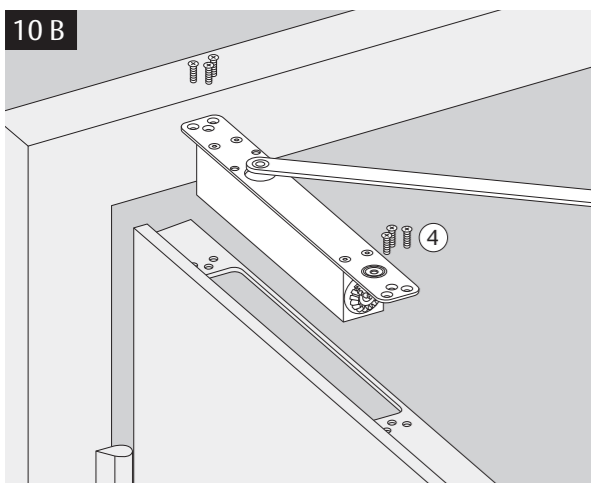
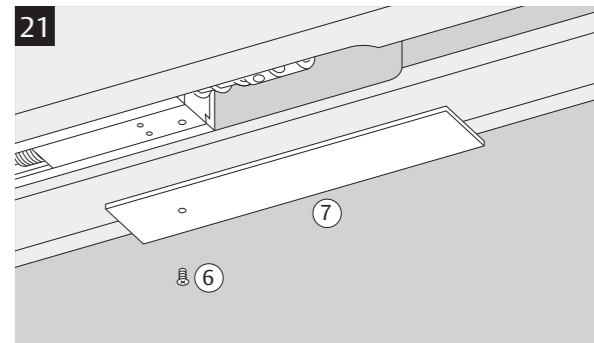
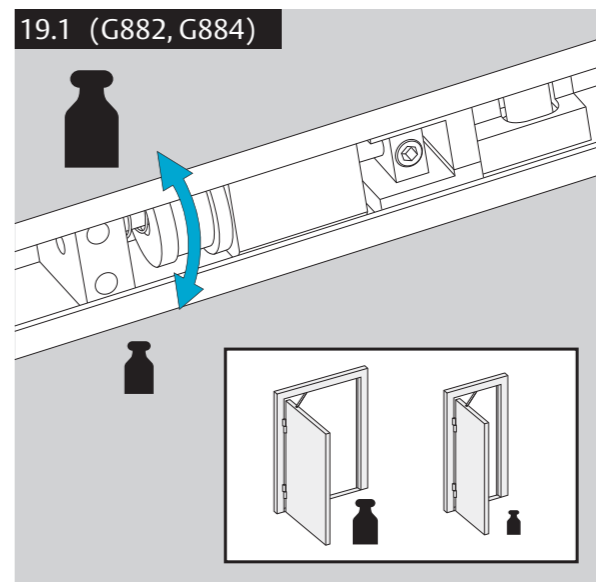
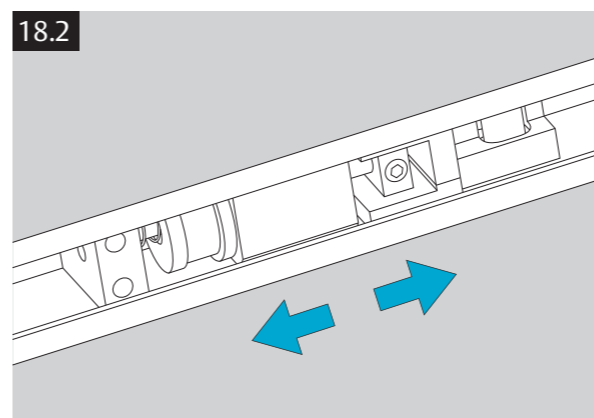
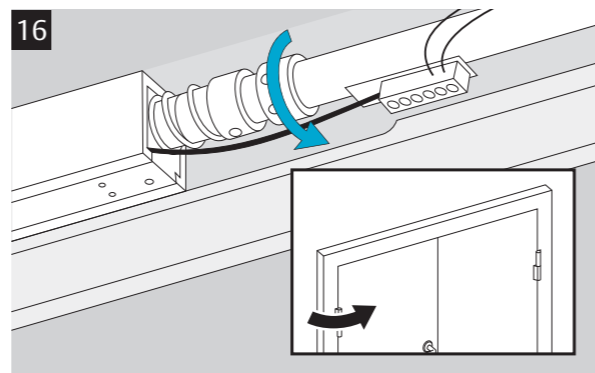
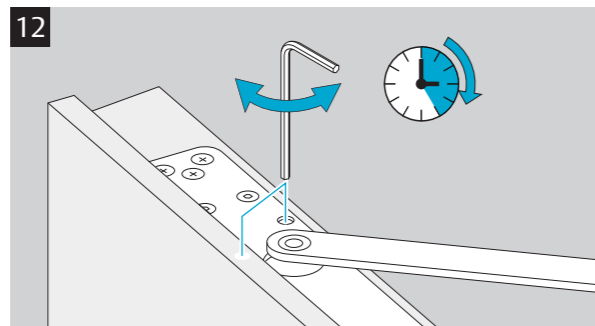
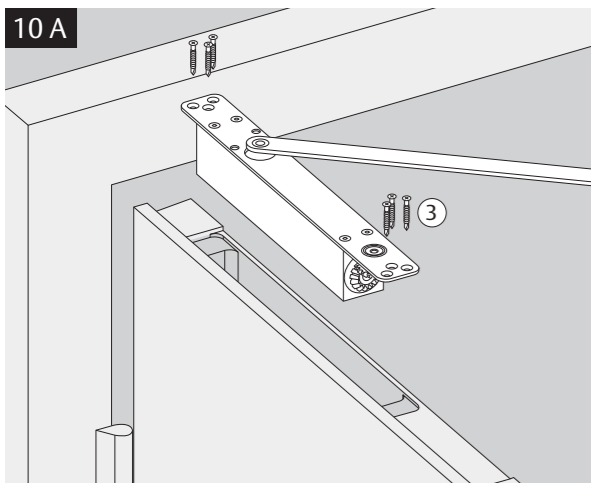
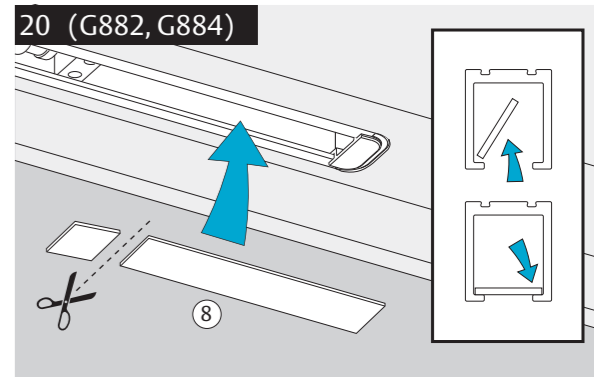
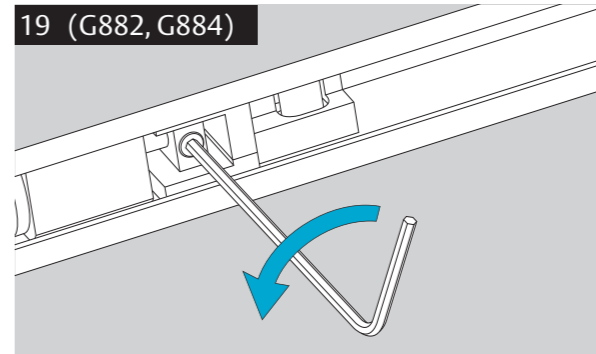
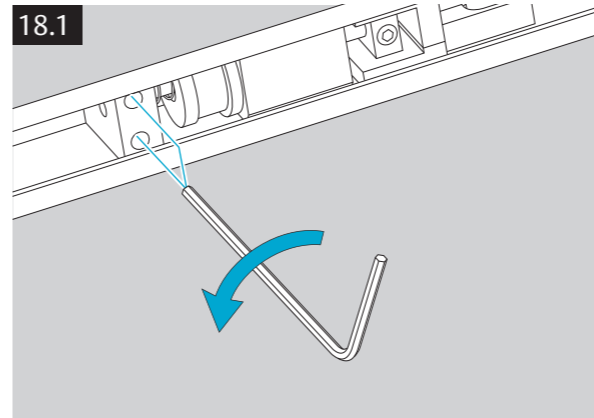
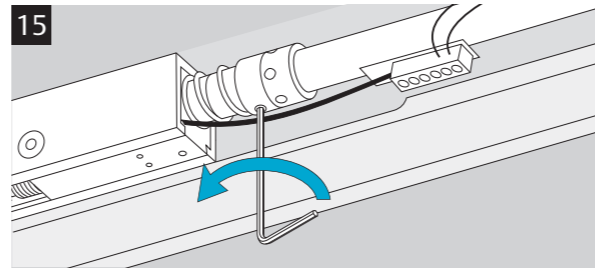
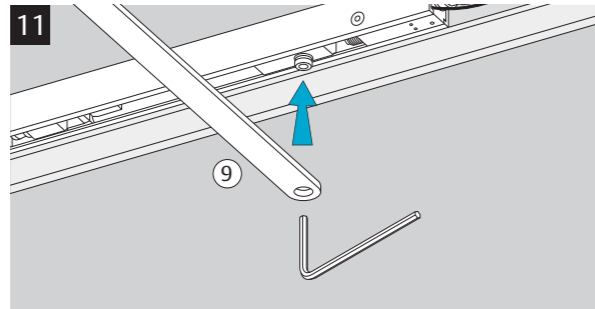
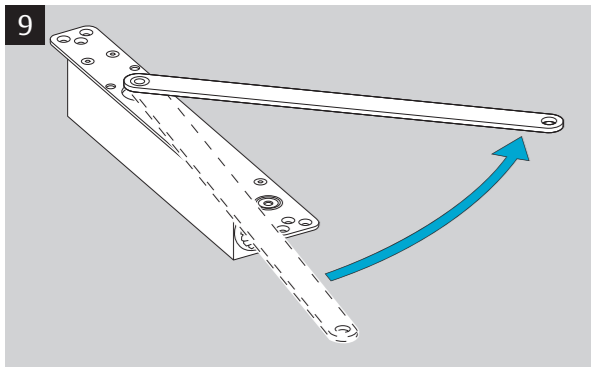
CE 0432	Abloy Oy, PO Box 108 80101 Joensuu, Finland	09
	G882/G884	EN 1155:1997/A1:2002/AC:2006 0432-CPR-00008-10.01 EN 1158:1997/A1:2002/AC:2006 0432-CPR-00008-04.01

G881, G884



6 (G882, G884)





ASSA ABLOY

Abloy Oy
P.O.Box 108
80101 Joensuu
FINLAND
Tel.: +358-20 599 2501
www.assaabloy.com
www.abloy.com/dop

5.8.2024